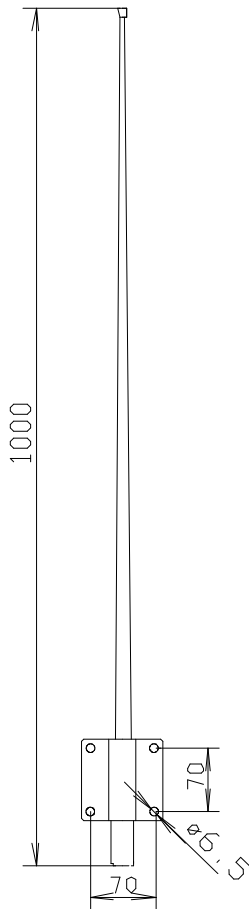
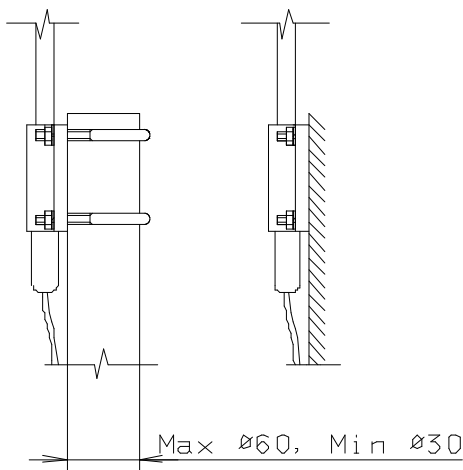


COMROD AR10MA/MF

1m Active MF Marine Receiving Whip



Connector



Application:

AR10MA/MF is an efficient active fiberglass receiving antenna for frequencies between 0.25-2MHz. It is intended for use together with a Navtex or Differential- GPS receiver. The antenna has good large signal handling characteristics, and is also very sensitive. The power supply is via the coaxial cable from the receiver.

Electrical specifications:

The antenna is protected against static discharges and surges at the power line.

Frequency range	0.25-2.5 MHz
Pattern	Omnidirectional
Polarization	Vertical
Impedance	50Ω
Antenna factor	0.1 - 1
Supply voltage	9-15V
Sensitivity	0.025uV/√HZ for 0dB S/N at 500KHz
Connector	UHF female is standard

Mechanical specifications:

Design	Fiberglass whip with amplifier in the base.
Height	1.1 m (3.6 ft)
Weight	1 kg, including U-bolts.
Number of sections	1
Wind rating	55 m/s = 125 mph
Moment of flexure	2.5 kpm at 55 m/s wind load
Finish	Polyurethane lacquer, white
Temperature range	-55 °C, +71 °C; -67 °F, +160 °F

Mounting:

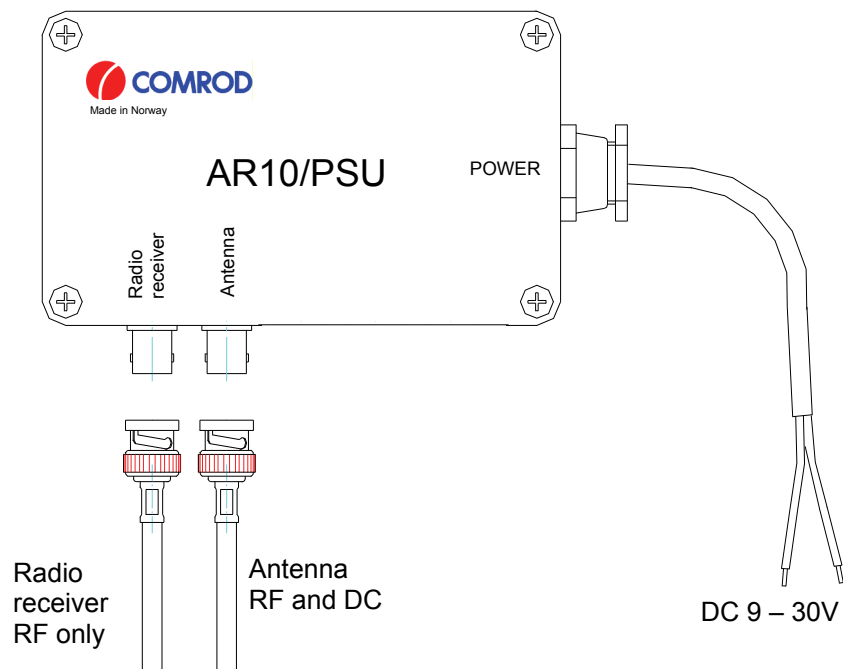
AR10MA/MF is easily mounted to the bulkhead by means of 4 holes in the aluminum bracket, or to a mast or tube with U-bolts. The U-bolts in stainless steel, are included.

Suitable cable: RG58, RG213 or similar.

Accessories: Power supply unit, see next page.

Accessories:

Power Supply Unit



Electrical specifications, AR10/PSU:

The AR10/PSU is a stabilised power supply unit for power supply via the antenna coaxial cable.

It comes with a AC230/DC12 V adapter.

Frequency range	0.2-10 MHz
Impedance	50Ω
RF Loss	< 0.2 dB
Supply voltage	In: 9-12V → Out: Same as input voltage In: 12-30V → Out: 12V
Connector	BNC