

### General Description

The VHF27512CEF is an ultra wideband vehicle antenna designed for use on all modern in-service military platforms, including armoured or soft skin, metal chassis or composite, wheeled or tracked.

The novel design gives it an excellent gain and radiation pattern across the whole frequency range. The antenna needs no adjustment for different frequencies as all the tuning elements are within the whip. The high power capability of this antenna is particularly suited to jamming applications.

A standard NATO 4-hole spring base (NTS) is available as well as a NATO 4-hole rigid (NTR) base.

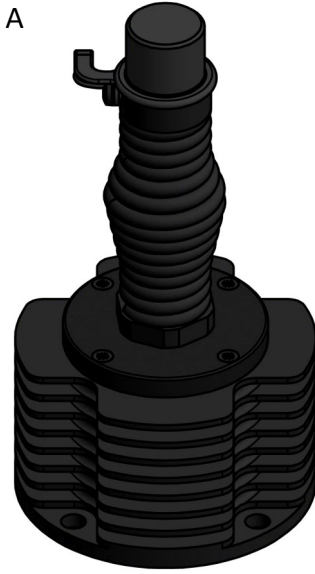
### Electrical Specifications

Frequency range	27 - 512MHz
VSWR	< 3.5
Nominal impedance	50 Ω
Power rating	200 W
Typical Gain	-10 to +3 dB rel. ¼wl
Radiation pattern Azimuth	Omni-directional
Polarisation	Vertical
Connector	N female, others on request

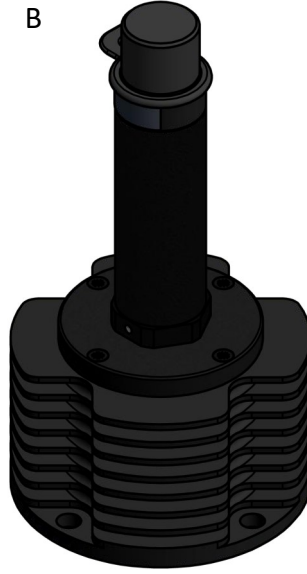
### Mechanical Specifications

Construction	Centre fed dipole for UHF. End fed monopole for VHF. Radiating element completely enclosed in epoxy/fibreglass laminate. Metal parts are plated brass and stainless steel
Lengths	Complete: 2.66m Lower whip: 1.14m Upper whip: 1.45m Base: 0.24 m
Weights	Total 4.25kg Lower whip: 1.2kg Upper whip: 0.3kg Base: 2.75kg
Wind rating	55 m/s = 125 mph
Finish	Polyurethane lacquer
Temperature range	-55 °C, +71°C; -67 °F, +160 °F
Installation	Standard 4 hole NATO pattern

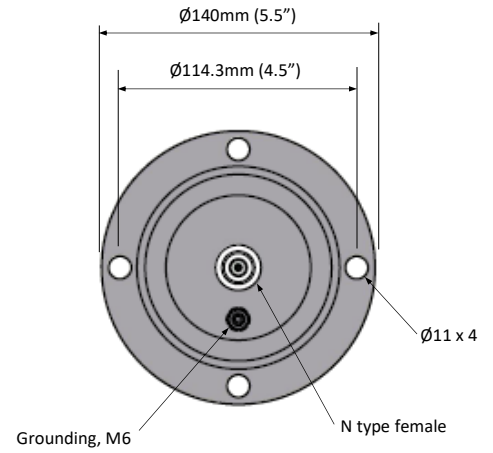
## Base Options



A  
 NATO 4-hole Spring Base (NTS)  
 4 x M10 or 3/8" Bolts  
 on 114mm (4.5in) PCD  
 Base diameter 140mm (5.5in)



B  
 NATO 4-hole Rigid Base (NTR)  
 4 x M10 or 3/8" Bolts  
 on 114mm (4.5in) PCD  
 Base diameter 140mm (5.5in)



Base detail - NTS and NTR

## Antenna Options

Product	Description
Whip Bag	Protective carrying bag for upper and lower whip sections.
Tie Down Kit	Allows the whip to be tied down to the vehicle while in motion (NTS spring base version).
Cables	Comrod has a wide range of cable assemblies. Cable type and length, connectors and strain-relief options are available. Please contact sales@comrod.com for further information.