

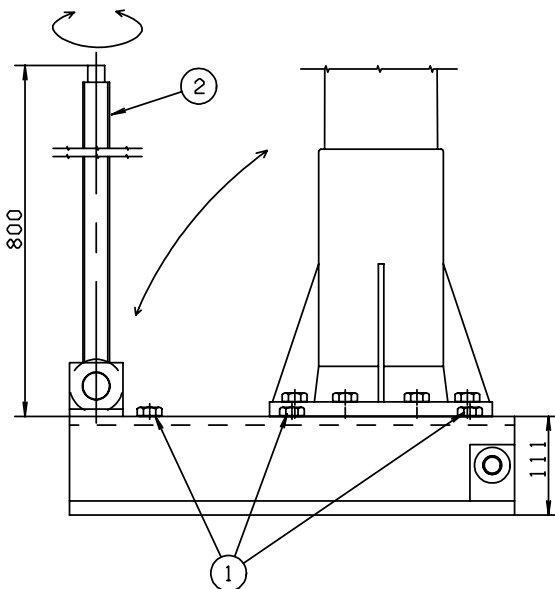
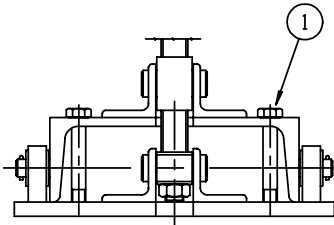
# COMROD T-AS9

## Manual tilting mechanism

### Application:

The installation of a tilting device together with AS9, AT130, AT101DS, AT101DS/H, or AT100DS are always recommended, making maintenance an easy task. In case of damage by for example cranes, a quick repair can be accomplished without the need of a crane for dismantling the antenna.

T-AS9 is mounted on deck or pedestal by means of 6 x M16 bolts.



### Mechanical specifications:

Design	Hot dip galvanized hinge and base, stainless steel spindle and bronze armatures.
Max. tilting angle	105°
Spindle location	Up or down
Max. tilting moment	400 kpm
Weight	56 kg
Ratched crank	Included

### Mounting:

1. Dismount the safety bolts (Pos. 1)
2. Screw the hinged flap into position to mount the antenna.
3. Mount the antenna to the hinged flap.

AS9 and AT130: Use 8 x M16 (ø210)

AT101DS, AT101DS-H and AT100DS: Use 8 x M12 (ø140)

Then erect the antenna.

4. Mount the safety bolts (Pos. 1)

