

Application

- Broadband antenna covering large frequency range
- VHF/UHF
- Standard models
108-1500 MHz
160-1500 MHz
- Special model
100-1500 MHz
- Fully ruggedized construction suitable for use in harsh environments
- Suitable for use on all platforms including shipboard

Electrical specification

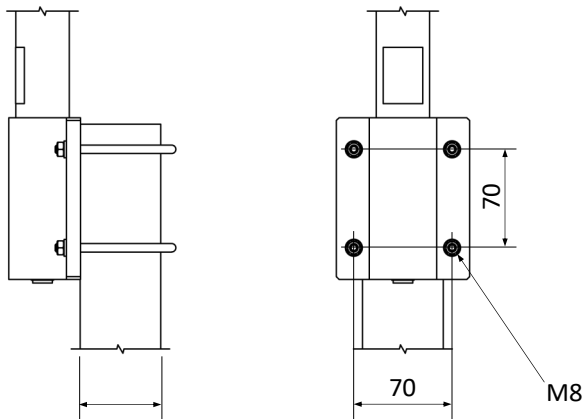
| | |
|-------------------|--------------------------------------------------------------------------------------------------------------------------------------------------------------------------------------------------------------------------------------------------------------------|
| Frequency range | 108-1500 MHz, with 250mm lower whips 160-1500 MHz, without lower whips 100-1500 MHz, with 350mm lower whips |
| Impedance | 50 Ω |
| Power rating | 500 W < 400 MHz, 250 W >400 MHz |
| Radiation pattern | Horizontal plane: Omnidirectional |
| Gain | 2 dBi typical |
| Polarization | Vertical |
| VSWR | <u>108-1500 Model</u> 3:1 108-118 MHz 2:1 118-1000 MHz 2.5:1 1000-1500 MHz <u>160-1500 MHz model</u> 2:1 160-1000 MHz 2.5:1 1000-1500 MHz <u>100-1500 MHz model *</u> 2.5:1 100-118 MHz 2.3:1 118-1000 MHz 3:1 1000-1500 MHz |
| Connector | N-female, others on request |

* 100-1500 MHz model has a different internal build to the 108-1500 and 160-1500 MHz models and can only be used with 350mm lower whips.

Mechanical specification

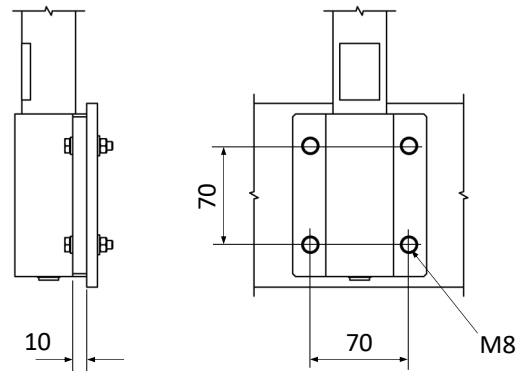
| | |
|-------------------|---------------------------------------------------------------|
| Design | Broadband coaxial dipole. Made from aluminium and fibreglass. |
| Length | 106 cm with base |
| Weight | 5 kg |
| Wind rating | 55 m/s |
| Moment of flexure | 200 Nm at 55 m/s |
| Finish | Polyurethane lacquer. White, grey, green, tan colour options. |
| Temperature range | -55 °C, +71 °C; -67 °F, +160 °F |

Pole Mount



Pipe diameter 40-65mm

Wall Mount



Options



An optional carrying bag is available to protect the AC10 while being transported. Please contact Comrod for further information.