

Application

AV7M is a high quality dipole antenna designed for the marine VHF radio telephone service. It is a high quality antenna with a durable construction and a beautiful finish for installation on all kinds of vessels.

Electrical specification

Frequency range	156-162 MHz, VSWR < 1.5:1 145-165 MHz, VSWR < 2:1
Nominal impedance	50 ohm
Power rating	100 W
Gain	2 dbi
Pattern	Horizontal plane: Omnidirectional Vertical plane: See reverse page
Polarization	Vertical
Connector	UHF female or N-type female
DC-grounded	Yes

Mechanical specification

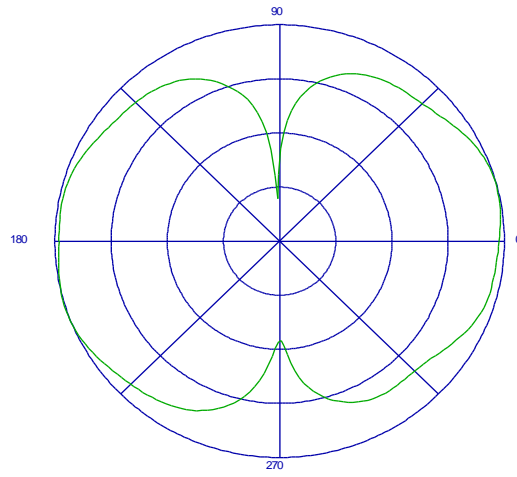
Design	Centre-fed coaxial dipole. Radiating elements completely enclosed in polyurethane foam within a fibreglass tube. Mounting bracket in aluminium.
Height	1.25 m (4 ft)
Weight	1 kg, including U-bolts
Wind rating	55 m/s = 125 mph
Finish	Polyurethane lacquer, white
Temperature range	-55 °C, +71 °C; -67 °F, +160 °F
Water Proofing	IP67

Mounting

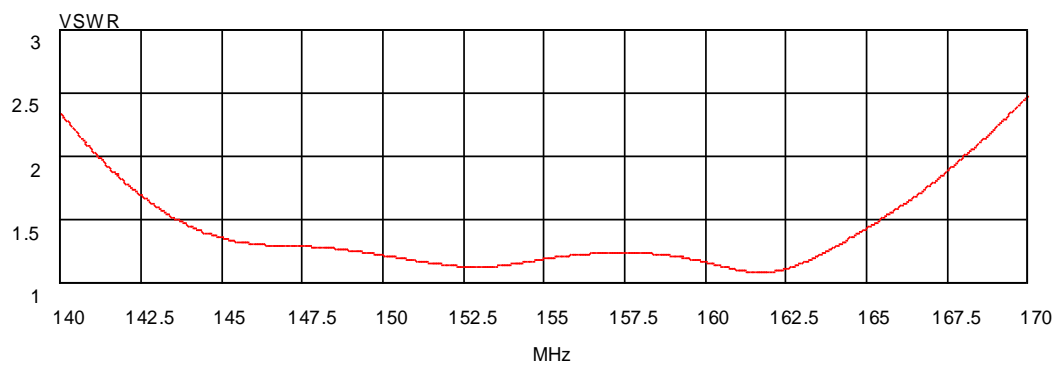
AV7M can be mounted directly onto the bulkhead by means of 4 holes in the aluminium bracket. It can also be attached to a mast or tube using the supplied M6 stainless steel U-bolts. The mounting tube can be horizontal or vertical. See page 2 for mounting details.

Suitable cable: RG8, RG213 or similar. Connector joint sealed with suitable waterproofing tape (not supplied).

Pattern & VSWR



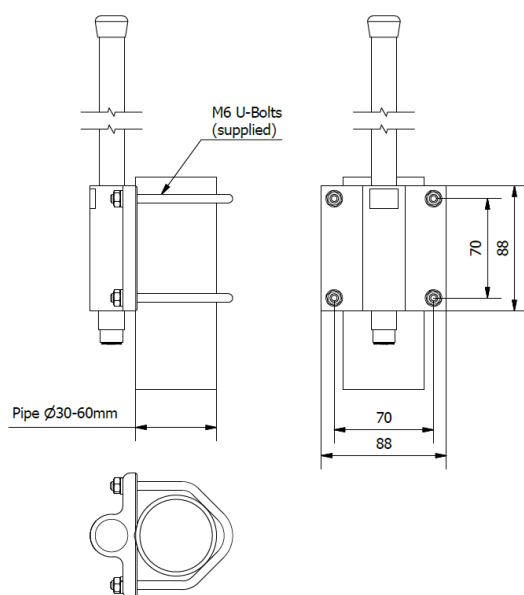
Vertical Radiation Pattern, $f=160\text{MHz}$, 40 dB dynamic range, 10dB/div



VSWR

Mounting Details

Pole Mounting



Bulkhead Mounting

