

### Features:

- Low profile design
- 30-512MHz
- Single connector VHF/UHF
- Designed for operation on all kinds of vehicles including armored vehicles
- Suitable for operation on shelters and to be mounted on masts or in other permanent installations.
- Rugged high quality antenna with a durable construction
- NATO 4-hole flange base with spring.
- Requires a ground plane
- Base options available - see page 2
- L1 and L1/L2 GPS option

### Electrical specifications:

Frequency range	VHF/UHF: 30-512MHz
VSWR	VHF/UHF: < 3.5:1 (see graph)
Nominal impedance	50Ω
Power rating	VHF/UHF: 75W
Gain	VHF/UHF: -17 to -2dBi (see graph)
Radiation pattern	Omni-directional within ±0.5dB
Polarization	Vertical
Connector	BNC female* (others on request)

### Mechanical specifications:

Design	VHF/UHF End feed monopole. Radiating elements completely enclosed in epoxy/ fiberglass laminate. Metal parts are brass, stainless steel and aluminum
Length*	1m (39in)
Weight*	Whip: 1.3kg (2.9lbs) Base: 2.6kg (5.7lbs)
Wind rating	55m/s (125mph)
Finish	Polyurethane lacquer
Temperature range	-55°C to +71°C, -67°F to +160°F

\* Standard base version

## GPS Electrical Specification (option)

Configuration	L1 GPS	L1/L2 GPS
Frequency Band	1575.42 ± 10 MHz	L1 1575.42 ± 10 MHz L2 1227.60 ± 10 MHz
Supply Voltage	2.7-5.5V	2.7-5.5V
Pre-amplifier	26.5 dB @ 5V	26.5 dB @ 5V
Noise Figure	2.5dB	2.5dB
Supply Current	< 40mA	< 60mA
Polarisation	RHCP	RHCP
Connector	SMA female	SMA female

## Antenna Base Options

Bases are available with optional L1 & L1/L2 GPS. All bases are supplied with a protective top cap (not shown).



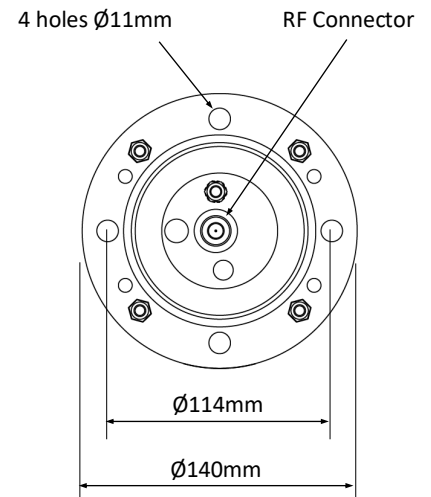
**A**  
NATO 4-hole Spring  
4 x M10 or 3/8" Bolts  
on 114mm PCD  
Base diameter 140mm (5.5in)  
Base height 240mm (9.5in)



**B**  
NATO 4-hole Spring GPS  
4 x M10 or 3/8" Bolts  
on 114mm PCD  
Base diameter 140mm (5.5in)  
Base height 280mm (11in)



**C**  
NATO 4-hole Rigid  
4 x M10 or 3/8" Bolts  
on 114mm PCD  
Base diameter 140mm (5.5in)  
Base height 240mm (11in)



**D**  
NATO - 50mm Thread  
GPS with 8mm spring  
Base diameter 95mm (3.74in)  
Base height 244mm (9.6in)

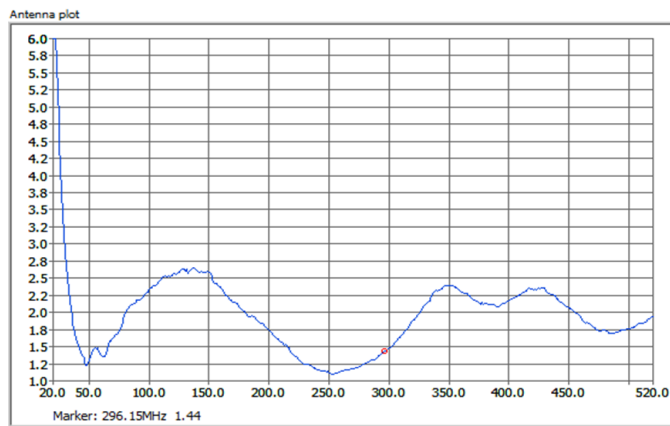


CEF connection  
(top of all base types)

## Gain & VSWR Curves



Typical gain curve mounted in centre of a 1.2m x 1.2m ground plane



Typical VSWR, mounted on corner of 3x3m ground plane