

Colour options available for land based and shipboard applications

### Application

The VHF108200M is a broadband centre fed (dipole) antenna covering the 108-200 MHz frequency range.

The antenna needs no adjustments for different frequencies as all the tuning elements are within the whip.

As a centre fed (dipole) antenna it operates independently of any ground plane.

### Electrical specifications

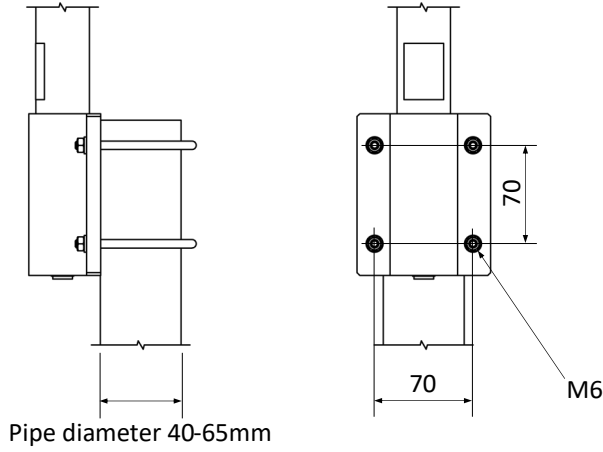
Frequency range	108-200 MHz
VSWR	< 2.5:1 136-174 MHz < 3:1 108-185 MHz < 3.5:1 185-200 MHz (see diagram overleaf)
Nominal impedance	50 ohm
Power rating	50 W continuous for 15 minutes
Gain	See curve
Radiation pattern	Azimuth: Omnidirectional Elevation: See diagram
Polarisation	Vertical
Connector	N female, DC grounded (others on request)

### Mechanical specifications

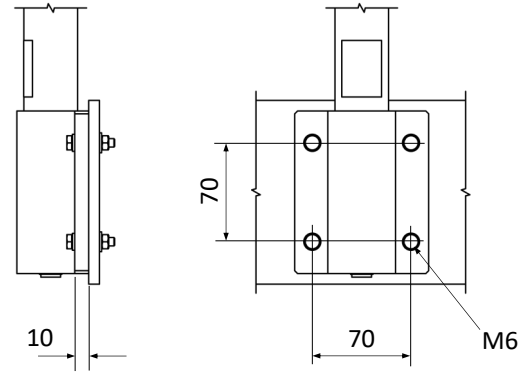
Design	Centre fed dipole. Radiating element completely enclosed in epoxy/fibreglass laminate. Metal parts are brass and stainless steel.
Length	1.35 m
Weight	1.7 kg
Wind rating	55 m/s = 125 mph
Finish	Polyurethane lacquer, colour on request.
Temperature range	-55 °C, +71 °C; -67 °F, +160 °F
Installation	See over page

# Mounting

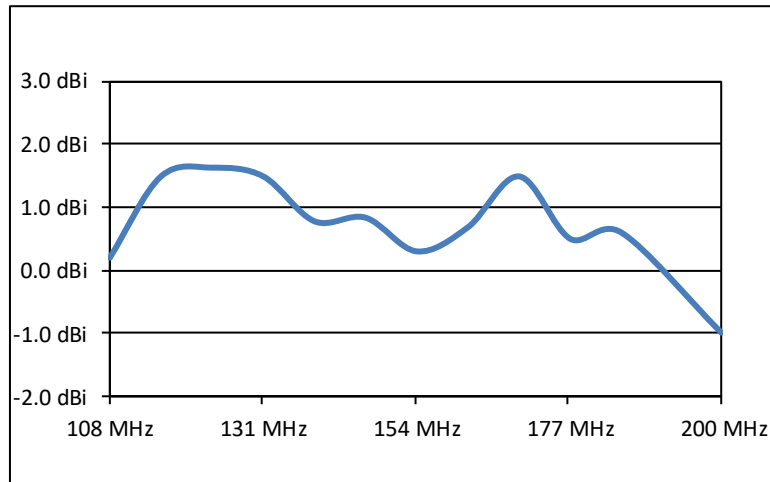
## Pole Mounting



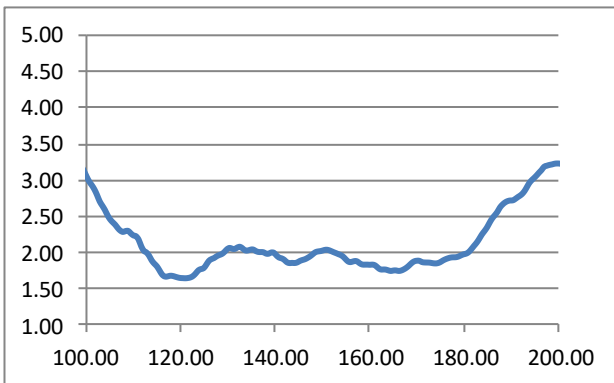
## Plate Mounting



## Gain



## VSWR



## Radiation pattern (typical elevation)

