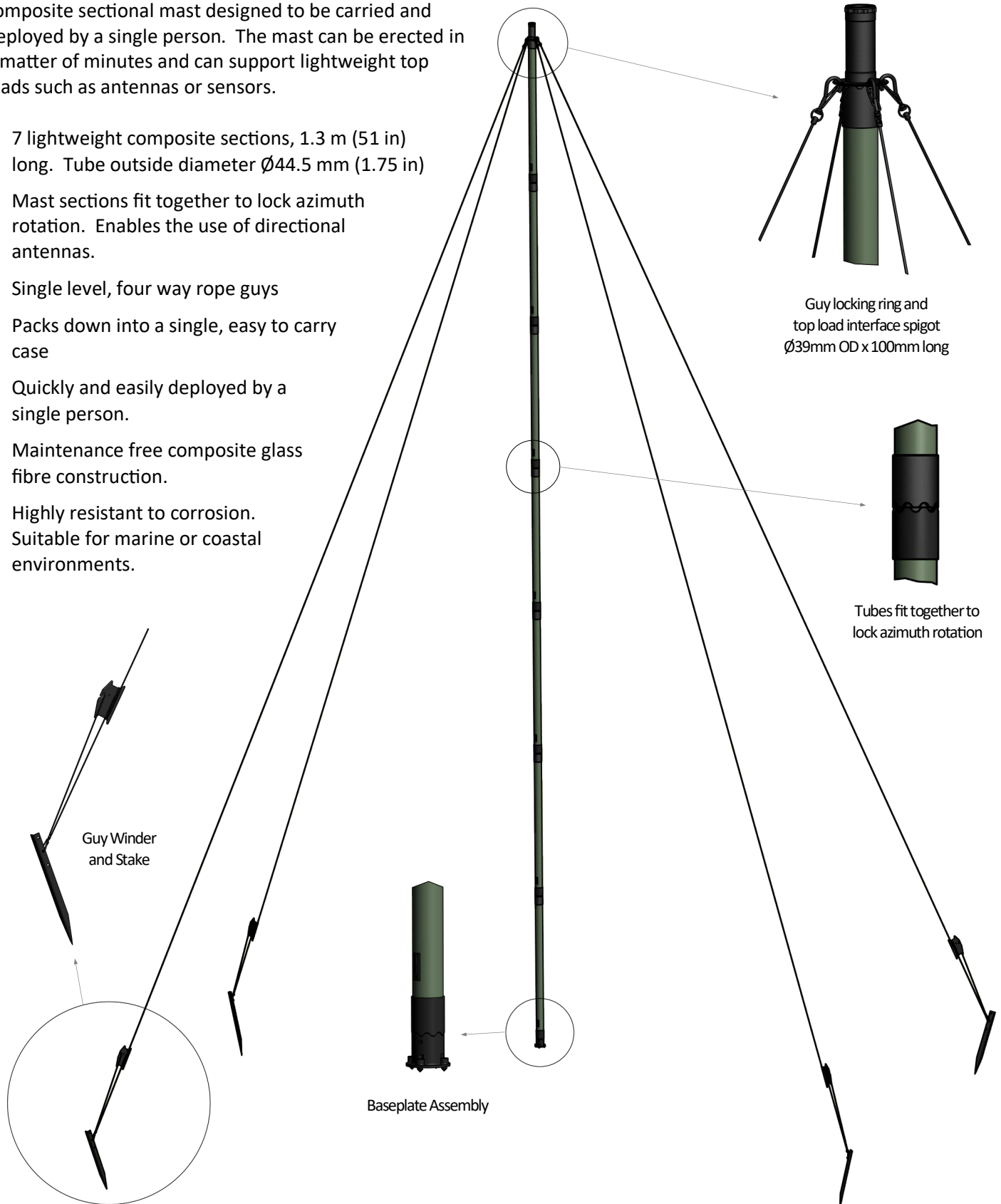


The AMX85/S is an 8.5 metre (28 ft) tactical lightweight composite sectional mast designed to be carried and deployed by a single person. The mast can be erected in a matter of minutes and can support lightweight top loads such as antennas or sensors.

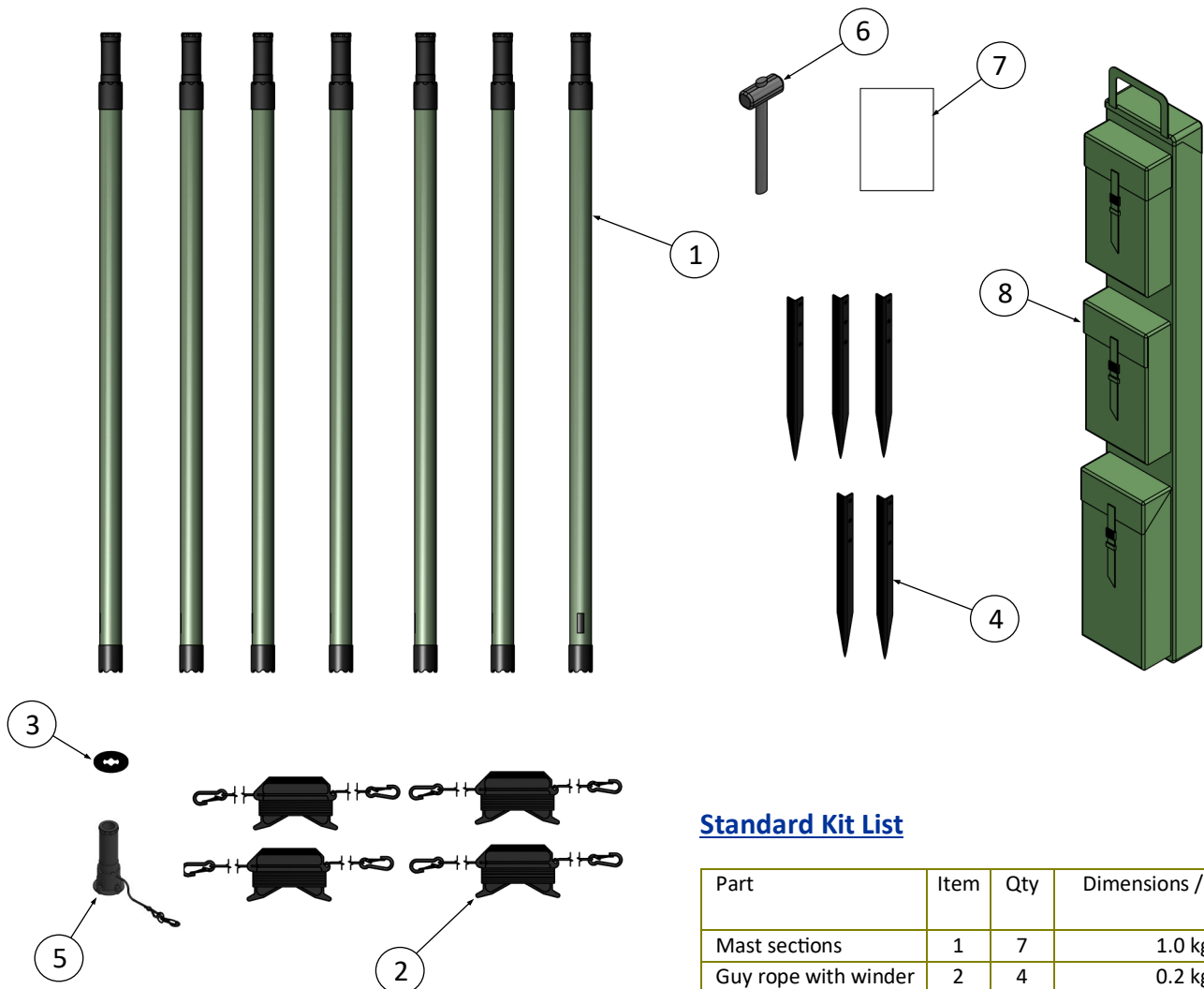
- 7 lightweight composite sections, 1.3 m (51 in) long. Tube outside diameter \varnothing 44.5 mm (1.75 in)
- Mast sections fit together to lock azimuth rotation. Enables the use of directional antennas.
- Single level, four way rope guys
- Packs down into a single, easy to carry case
- Quickly and easily deployed by a single person.
- Maintenance free composite glass fibre construction.
- Highly resistant to corrosion. Suitable for marine or coastal environments.



Mechanical Specification

Mast sections	Fibreglass tube outside diameter Ø44.5 mm, 122 cm long with 10 cm aluminium spigot. Olive drab lacquer finish. 7 pcs.
Total Kit Weight	13 Kg (29 lbs)
Top Interface	Ø39 mm OD spigot, 100 mm long (to fit 40 mm socket)
Guy	4 pcs, 3 mm braided rope on winder with adjustable lock and snap hooks each end.
Guy pegs	6 pcs powder coated steel.
Base support	Fibreglass with spikes and peg down loop.
Top load (Max)	4.0 kg (8.8 lbs) *
Wind Speed (Max)	96 km/h (60 mph), including gust
Temperature range	-55 °C, +55 °C; -67 °F, +131 °F

* Subject to top load wind surface area.



Standard Kit List

Part	Item	Qty	Dimensions / Weights
Mast sections	1	7	1.0 kg
Guy rope with winder	2	4	0.2 kg
Guy Ring Locking	3	1	0.05 kg
Guy pegs	4	5	0.3 kg
Base support	5	1	0.2 kg
Hammer	6	1	1.2 kg
User Manual	7	1	A5 Booklet
Carrying bag	8	1	132 x 22 x 16 cm / 2.2 kg

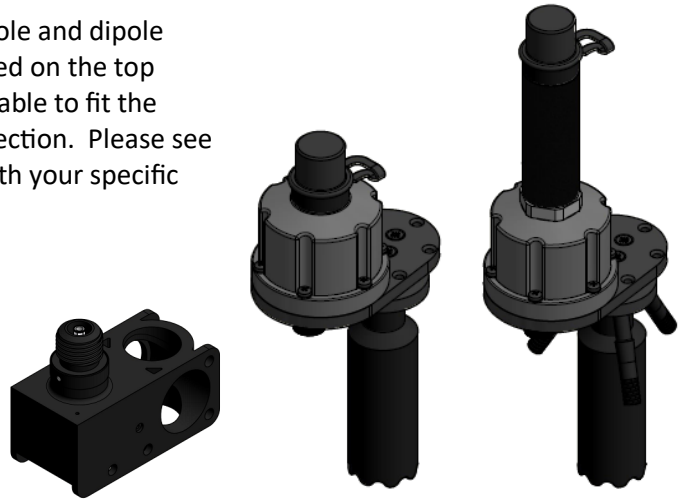
Antenna brackets are available to mount Comrod monopole and dipole antennas onto the AMX91 mast. Antennas can be mounted on the top section and well as below the top load. Brackets are available to fit the standard Comrod VM or CEF type antenna interface connection. Please see datasheet Dipole-Antenna-Mounts, or contact Comrod with your specific requirement.



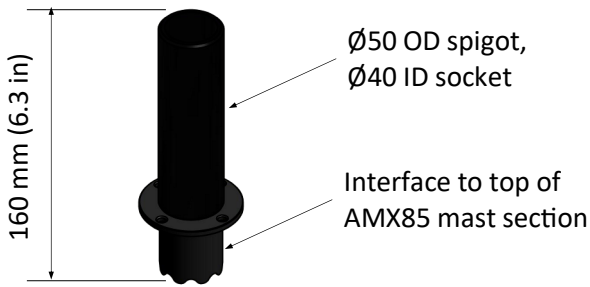
VM Connector



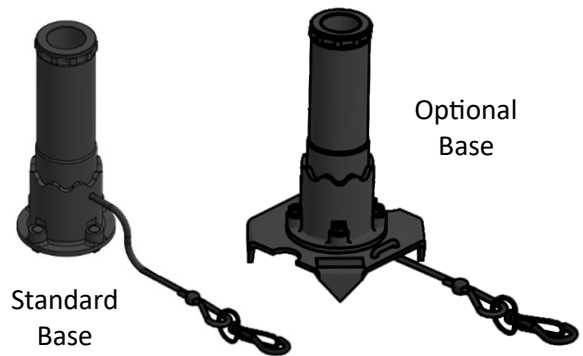
CEF Connector



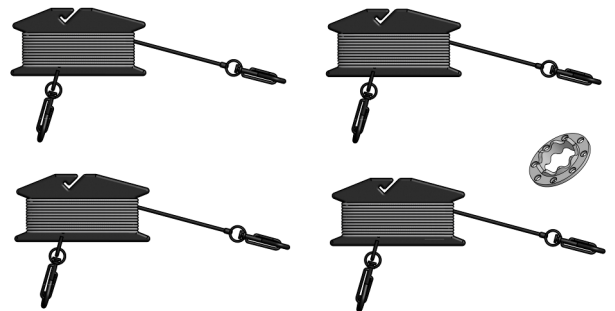
Top load adaptor - Ø50mm OD (1,97 in) spigot, Ø40mm ID (1.57 in) socket



Baseplate Assembly - standard base or with load spreader for softer ground



Middle guy kit enables an increased top load weight of 6 kg (subject to wind surface area) . Kit includes four middle guys and locking guy ring. Guys are connected to the locking guy ring fitted above the fourth mast section and connect to the existing ground stakes.



RF Cable Assemblies are available to suit the customer requirement. Cables can be specified by cable type and length, connector type, strain relief etc. Please contact Comrod with your specific requirement.