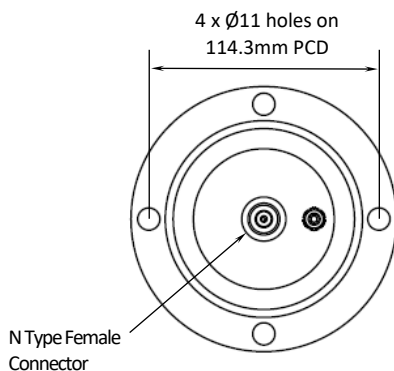




NATO 4-hole spring base version
(see page 2 for base options)



Features:

- Frequency 600-3000 MHz
- Dipole design
- Wideband operation - no tuning required.
- Standard NATO pattern base options.
- Designed for use on all modern in-service military platforms, including armoured or soft skin, metal chassis or composite, wheeled or tracked.

Electrical specifications:

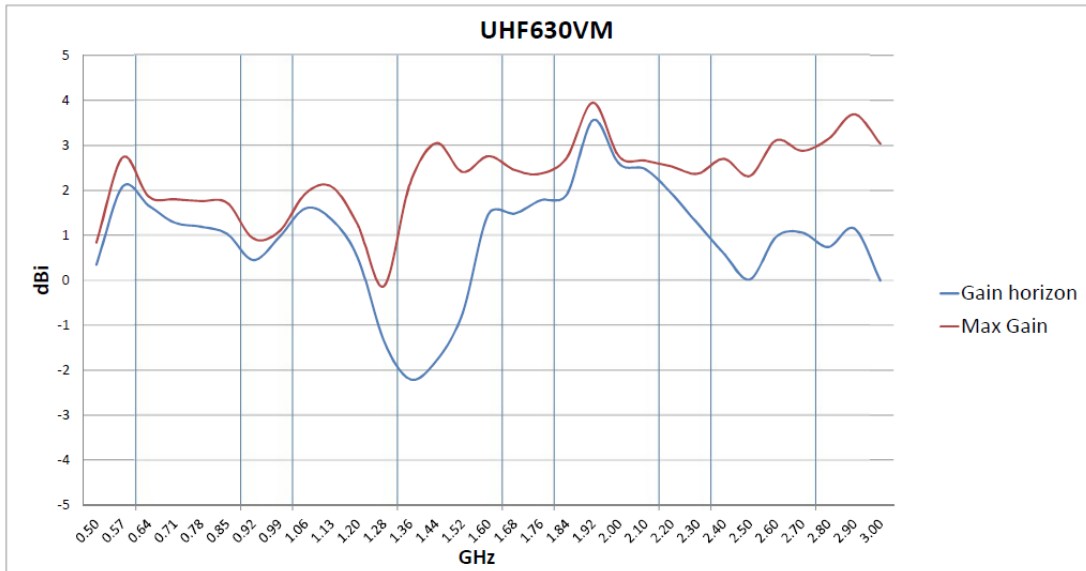
Frequency	600 - 3000 MHz
Polarisation	Vertical
Impedance	50 Ohm
VSWR	< 3.0 : 1
Gain	See gain curve
Pattern	Azimuth: Omni-directional Elevation: Dipole
Power	50 Watts
Connector	N Type Female

Mechanical specifications:

Design	Biconical dipole. Radiating element completely enclosed in epoxy/fibreglass laminate. Metal parts are brass, aluminium and stainless steel.
Length	Total * 0.43 m (17 in) Element 0.22 m (8.7 in) Base * 0.24 m (9.5 in)
Weight	Element 0.5 kg (1.1 lb) Base * 2.25 kg (5 lb)
Wind Rating	55 m/s = 125 mph
Finish	Polyurethane Lacquer
Colour	Customer specified
Temperature Range	-55 °C, +71°C; -67 °F, +160 °F

* NATO 4-hole spring base version

Gain



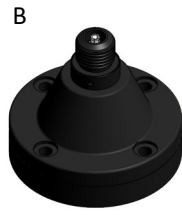
Outline Dimensions



Base Options



A
NATO 4-hole
4 x M10 or 3/8" Bolts
on 114mm PCD
Base diameter 140mm



B
NATO 4-hole
Rigid (no spring)
4 x M10 or 3/8" Bolts
on 114mm PCD
Base diameter 140mm



C
NATO
50mm Thread
Base diameter 95mm



D
Mast Mount Bracket
Rigid (no spring)
24mm Spigot
50mm Spigot
Customer Specified