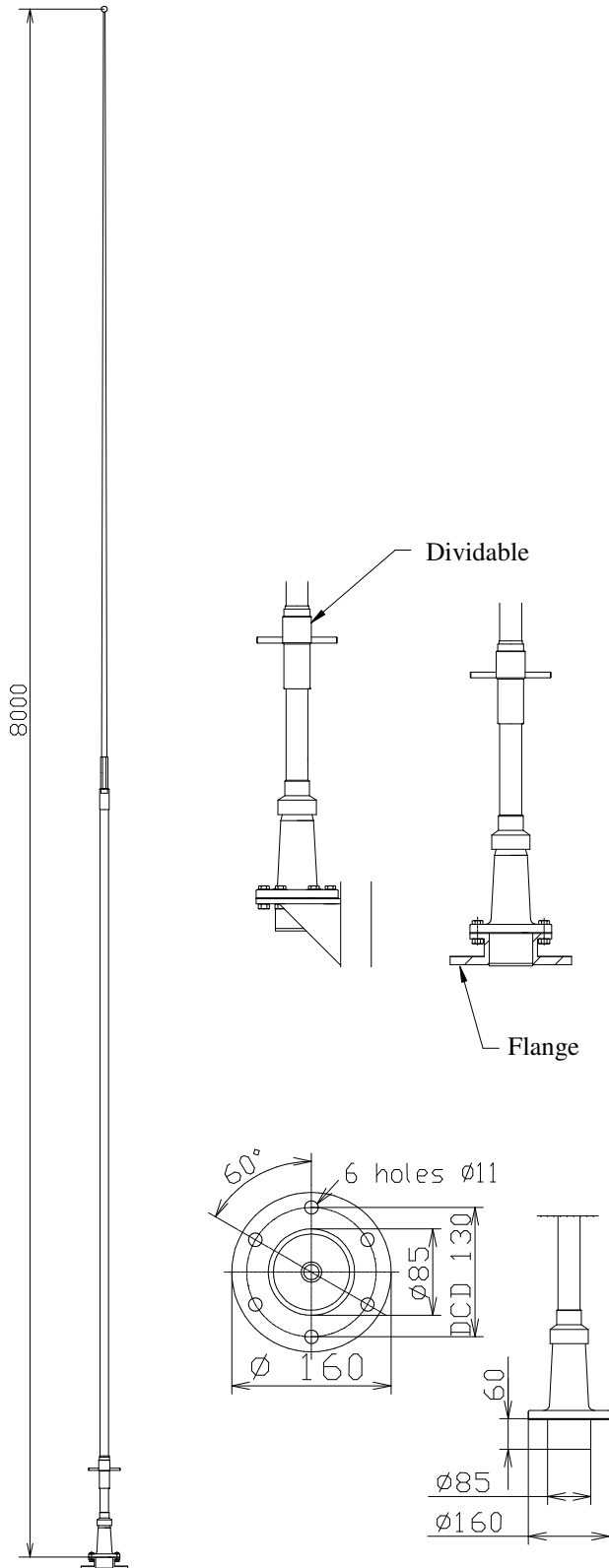


COMROD AT82D/D

8 m HF Transmitting Antenna



Application:

AT82D/D is a high quality fiberglass transmitting antenna mainly for maritime use in the MF and HF bands. The antenna is equivalent to the AT82D except that it is divided above the base. The main part of the antenna can then be removed without the use of tools. When the whip is removed a long wire antenna can be connected at the remaining part of the base.

Electrical specifications:

Frequency range	1.6-30 MHz
Power rating	1.5 kW PEP
Impedance	See diagram on reverse side
Pattern	Omnidirectional
Polarization	Vertical
Electrical length	8 m (27 ft)

Mechanical specifications:

Design	Self-supporting fiberglass rod with bronze and stainless steel armatures.
Height	8m (27 ft)
Weight	11kg
Sections	Base section: ATB42D/D
Wind rating	55 m/s = 125 mph
Moment of flexure	93.7 kpm at 55 m/s
Deflection due to wind load	4.6 m (16.7 ft) at tip ball at 55 m/s wind load
Finish	Polyurethane lacquer, gray
Temperature range	-55 °C, +71 °C; -67 °F, +160 °F

Mounting:

The AT82D/D is well suited for mounting on top of the radio cabin. If the feeding insulator is not long enough, extensions are available.

The flange holes are matched to M10 bolts.

Impedance at MF and HF

Frequency in MHz, antenna mounted on a 2m steelpipe over flat steel roof. Feed line 2m.

Frequency (MHz)	Transmitting Antenna 8 m
1.6	4-j1.060
2.0	5-j800
3.0	9-j470
4.0	11-j290
5.0	20-j145
6.0	28-j38
7.0	55+j55
8.0	60+j155
10.0	200+j400
12.0	1000+j300
16.0	500-j500
18.0	250-j450
22.0	70-j80
25.0	240-j200
30.0	400-j300