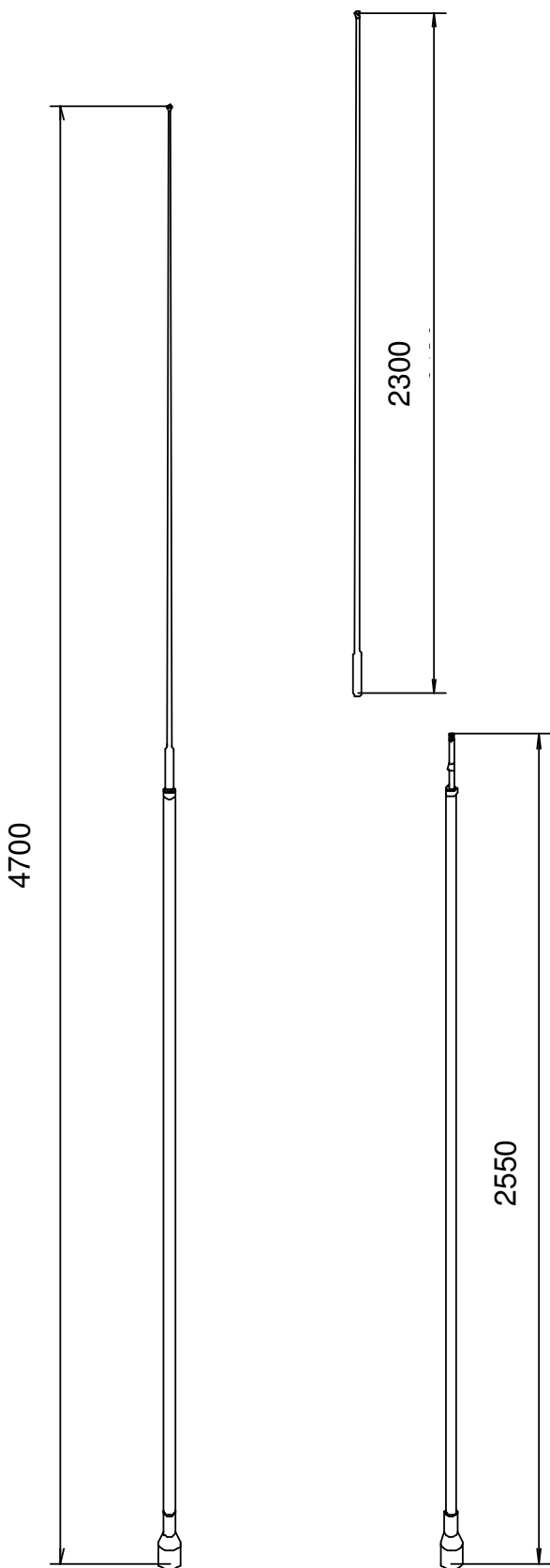


COMROD VHF2060VM

VHF Broadband Antenna



Application:

- * 20 - 60 MHz
- * Designed for operation on all kinds of vehicles including Jeeps, Trucks and other armoured vehicles
- * Suitable for operation on shelters and to be mounted on masts or in other permanent installations
- * Different kinds of bases available, with or without spring for flexible or rigid installations
- * No ground plane needed
- * No tuning electronics in the base
- * No tuning required

Electrical specifications:

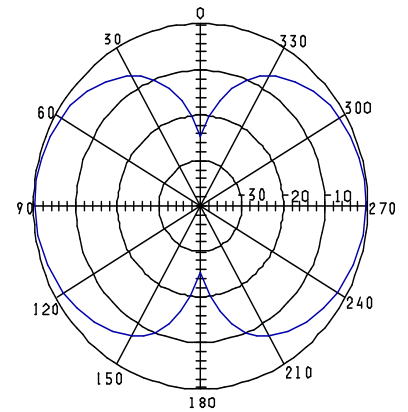
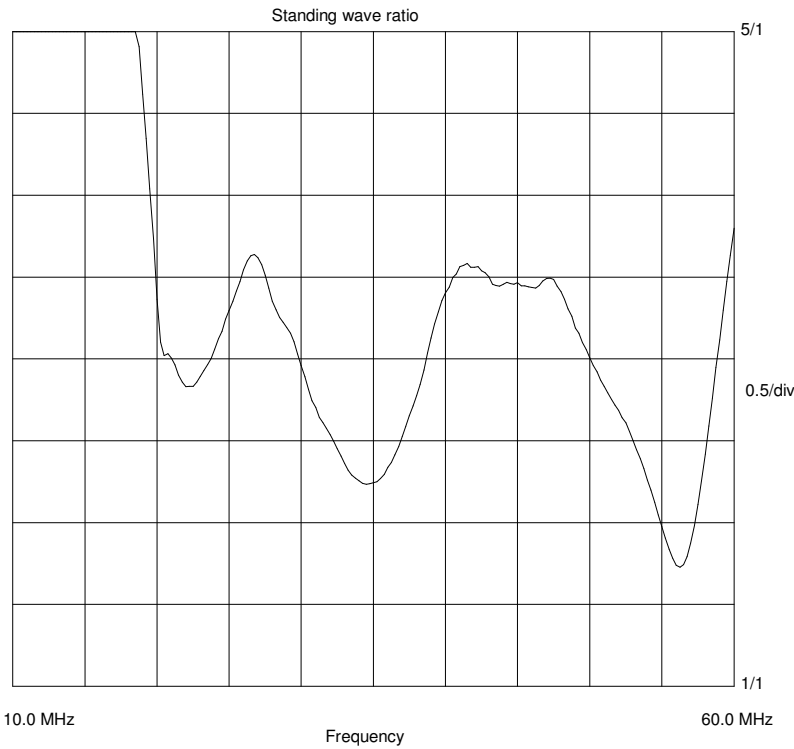
Frequency range	20 - 60 MHz
VSWR	see diagram, overleaf
Nominal impedance	50 ohm
Power rating	100 W cw
Gain	-8 to +2dB, relative $\frac{1}{4}\lambda$ whip on CP
Radiation pattern	Azimuth: Omnidirectional Elevation: See overleaf
Polarization	Vertical
Connector	to be specified

Mechanical specifications:

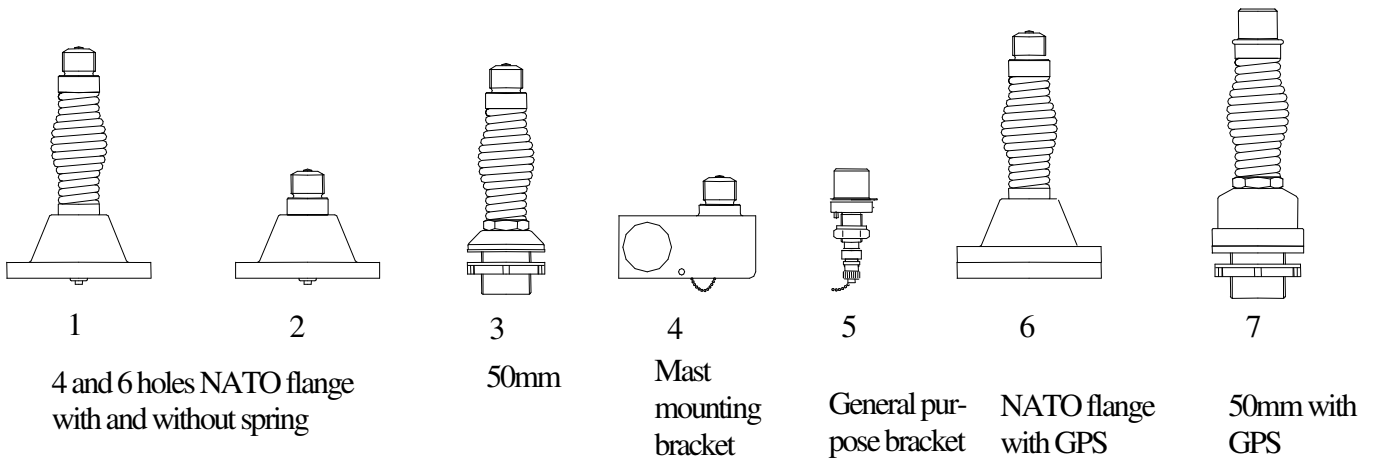
Design	Centerfed dipole. Radiating elements completely enclosed in epoxy/fibreglass laminate. Metal parts are brass and stainless steel.
Length, mounted	4.7 m, 4.9m with base 1.
Weight	2kg, ex. base
Wind rating	55 m/s = 125 mph
Finish	Polyurethane lacquer, olive drab.
Temperature range	-55 °C, +71 °C; -67 °F, +160 °F

VSWR

Radiation Diagram, Elevation:



Optional Bases:



Mounting:

The Mounting hardware makes VHF2050VM an extremely flexible and versatile system. The same antenna elements can be used for vehicles and mast mounting and for permanent installations. The antenna may easily be switched from one application to another without the use of tools.