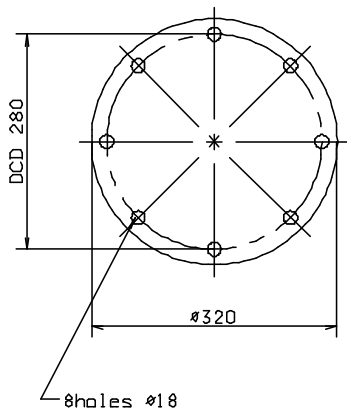
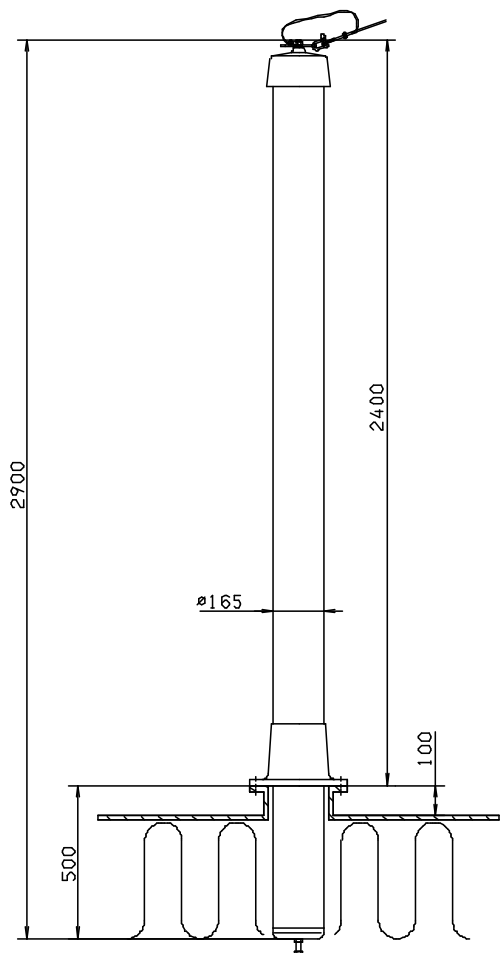


COMROD AG300

Lead-Through Insulator

Application:

AG300 is a lead-through insulator for use together with marine main radio stations or in other demanding installations. It can be used together with long-wire antennas or mast antennas. The complete fiberglass construction gives you a compact, easily installed insulator with low capacitive losses.



Electrical specifications:

| | |
|-----------------------------|--|
| Design | Fiberglass tube with fiberglass flange and endcaps. Conductor is sealed inside the tube by means of |
| Length | 2.9 m (10 ft) |
| Weight | 16.0 kg |
| Max. horizontal load at top | 100 kp |
| Finish | Polyurethane lacquer, white |
| Temperature range | -55 °C, +55 °C; -67 °F, +131 °F |

Mechanical specifications:

| | |
|-----------------|------------------|
| Insulation | Min. 10 Mohm |
| Max. RF-voltage | 25 kV |
| Frequency range | 250 kHz - 30 MHz |

Mounting:

The insulator is mounted by means of 8 M16 bolts on wheel-house roof or deck.

Neoprene gasket and wireclamp for aerial wire are supplied. Transmitting terminal is cleat for 8 mm copper tube. No strain insulator is required, strain relief is done by means of supplied thimble and shackle connected to top plate.

Suitable antenna feed line: 7 x 7 x 0.6 copper wire. Special version with other tube lengths are available on request.

4 m, 3.5m and 0.4m are in stock.