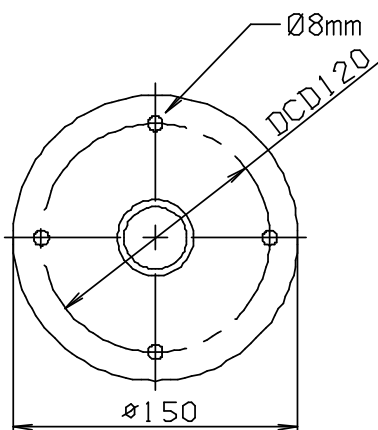
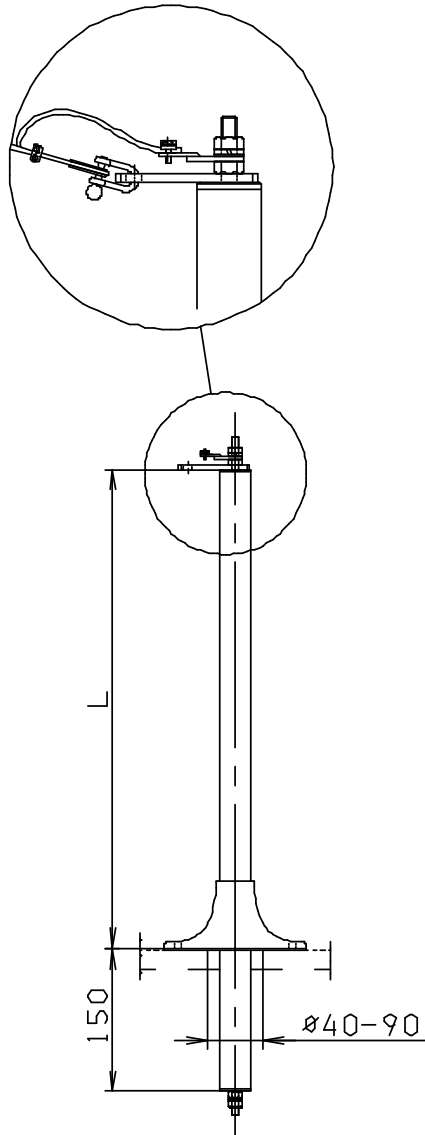


COMROD AG3, AG5, AG10

Lead-Through Insulator

Application:

AG3, AG5 and AG10 are fiberglass lead-through insulators for use on ships or in other demanding installations. They are designed to work with receiving areals such as long wires. The complete fiberglass construction gives you a compact, easily installed insulator with low capacitive losses.



Electrical specifications:

Insulation	Min. 10 Mohm
------------	--------------

Mechanical specifications:

Design	Fiberglass tube and base. Conductor is sealed inside the tube by means of polyurethane foam.
Length	AG3 : L= 250 mm AG5 : L= 475 mm
Weight	AG3 : 0.7 kg AG5 : 1.3 kg
Max. bending moment	15 kpm
Finish	Polyurethane lacquer, white
Temperature range	-55 °C, +55 °C; -67 °F, +131 °F

Mounting:

The insulator may be mounted on deck or bulkhead by means of four M8 bolts.

For sealing a neoprene gasket is supplied.