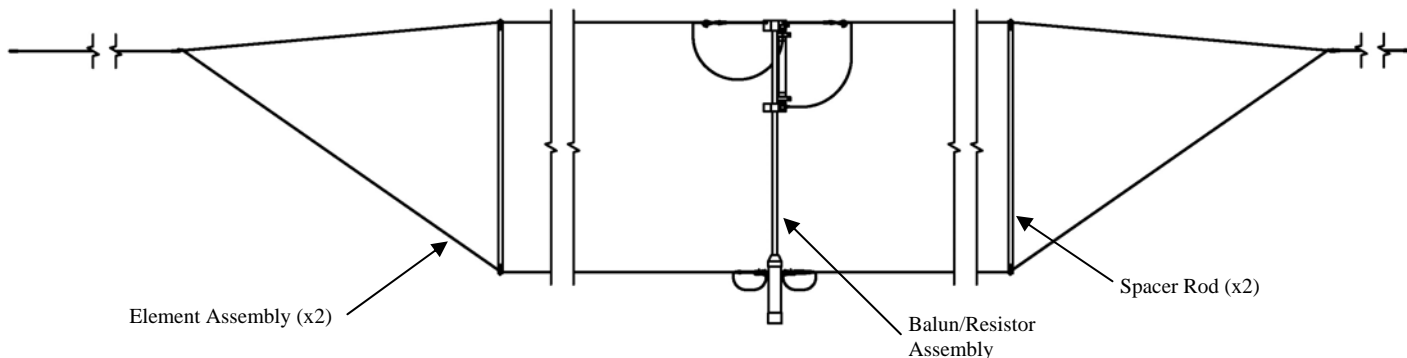


COMROD AH54

Broadband Folded Wire Dipole Antenna



Application:

The AH54 is a tactical HF terminated folded dipole designed for use over the frequency range 1.7-30 MHz with a power rating up to 400W PEP, 150W CW. It is designed for use with two support masts to raise the folded dipole, which incorporates a balun transformer and load assembly, 7-9 metres above the ground level.

Electrical specifications:

Frequency range	1.7 - 45MHz
VSWR	< 2.5:1 for 2 - 45MHz < 3.5:1 for 1.7 - 48MHz subject to ground conditions
Power Rating	400W PEP (150W CW)
Input Impedance	50 ohm unbalanced
Connector	UHF type on balun transformer

Mechanical specifications:

Design	Folded wire dipole incorporating a balun transformer and load assembly.
Element Span	30m (approx)
Wind rating	55 m/s = 125 mph
Temperature range	-55 °C, +71°C; -67 °F, +160 °F
Installation	Between two support masts raised 7-9m above the ground (masts not included in kit)
Weight	5.2 kg

Kit List:

No	Description	Qty
1	Element Assembly	2
2	Spacer Rod	2
3	Balun / Resistor Assembly	1
4	Coax Cable Assembly 50m (option)	1
5	Handbook	1

Typical VSWR

