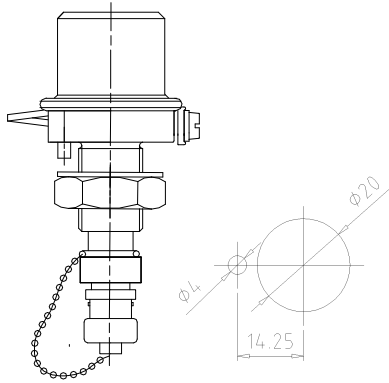
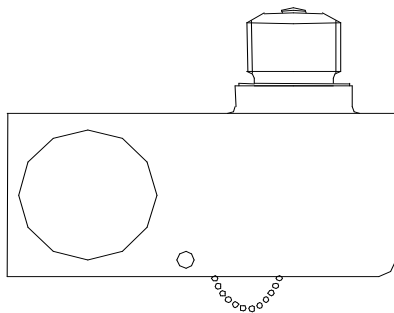
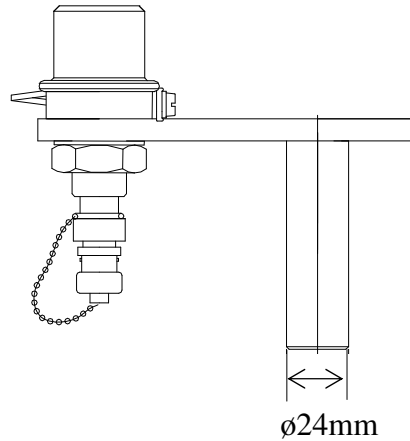


# COMROD Mast Brackets

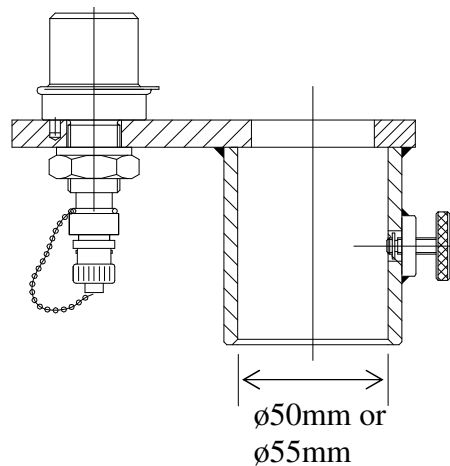
- \* Brackets for different mast configuration.
- \* Other types of mast interfaces are available on request
- \* Two types of antenna connections are available , either VM or CEF connection



General Purpose bracket,  
for mounting hole ø20mm



Bracket for AMX85 mast



## Electrical specifications for VM connection:

Frequency range	0 - 450 MHz
Antenna connection, top	VM
Nominal impedance	50 ohm
Power rating	400W CW
Connector , bottom	BNC, others on requests

## Electrical specifications for CEF connection:

Frequency range	0 - 2 GHz
Antenna connection, top	CEF
Nominal impedance	50 ohm
Power rating	400W CW
Connector , bottom	BNC, others on requests



Picture of VM connection



Picture of CEF connection