

Applications:

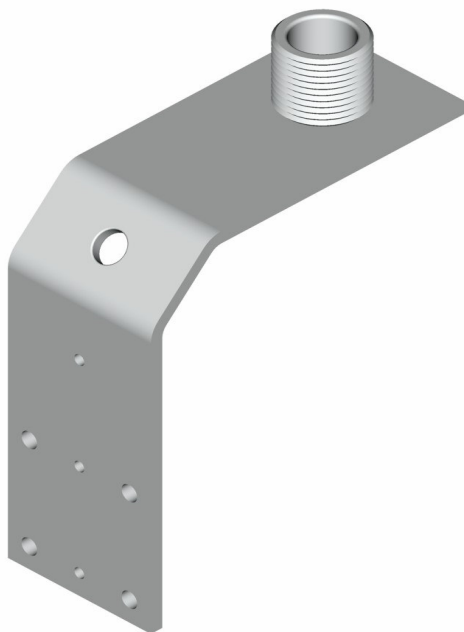
1. AV-C adapter



2. Morad adapter for P version



3. Angle bracket



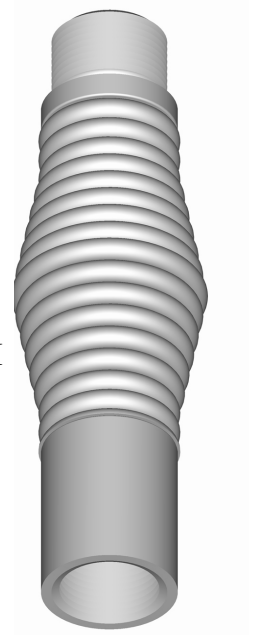
4. Shock absorber

Application:

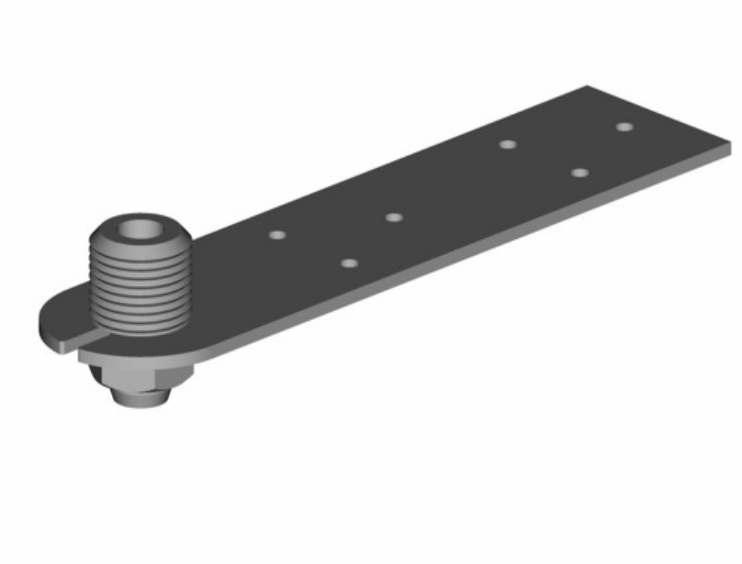
The spring accessories fits standard 1"x14 Antenna mount

Mounting:

Standard 1"x14 male threads on top and 1"x14 female threads in bottom. Fits between comrod's 4' (1.25m) BI antenna series and standard mounting accessories.



5. BI - Flat bracket



6. BI - Targa bracket, to be welded.

