

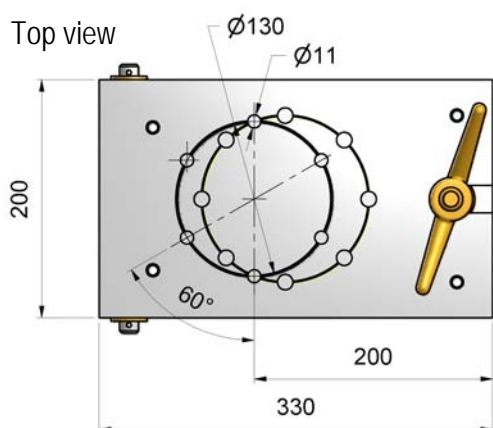
COMROD MT-Mod

Manual tilting mechanism

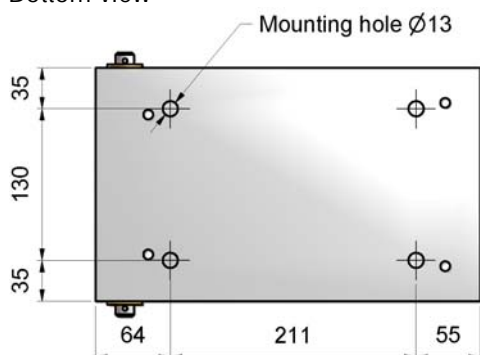
Side view



Top view



Bottom view



Application:

The installation of a tilting device together with the modular antennas is always recommended, making maintenance an easy task. In case of damage by for example cranes, a quick repair can be accomplished without the need of crane for dismantling the antenna.

Mechanical specifications:

Design	Hot dip galvanized hinge and base, stainless steel spindle and bronze handle screw nut.
Max. tilting angle	105°
Weight	16 kg

Mounting:

MT-Mod is mounted on deck or pedestal by means of 4 x M12 bolts. Mounting to the antenna by means of 6 x M10 bolts.

