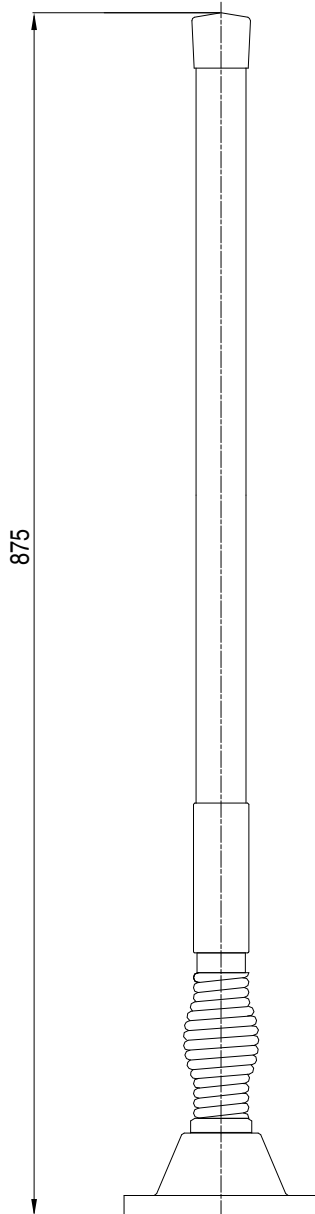


# COMROD UHF225450VM/HG

## UHF Broadband Antenna



### Application:

- \* 225-450 MHz
- \* Designed for operation on all kinds of vehicles including Jeeps, Trucks and other armored vehicles.
- \* Suitable for operation on shelters and to be mounted on masts or in other permanent installations.
- \* Different kinds of bases available, with or without spring for flexible or rigid installations.
- \* No ground-plane needed.
- \* No tuning electronics in the base.
- \* No tuning required.
- \* Uses the same bases as our VHF3088VM series of antennas. This includes a special base with a built-in GPS antenna.

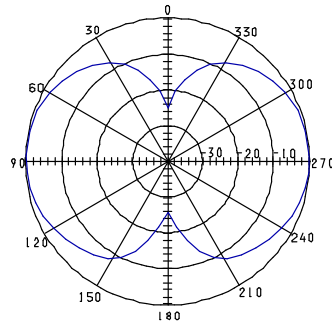
### Electrical specifications:

Frequency range	225 - 450 MHz
VSWR	<3
Nominal impedance	50 ohm
Power rating	50 W CW
Gain	0.5.. 2 dBi
Radiation pattern	Azimuth: Omnidirectional Elevation: See diagram overleaf
Polarization	Vertical
Connector	BNC, or to be specified

### Mechanical specifications:

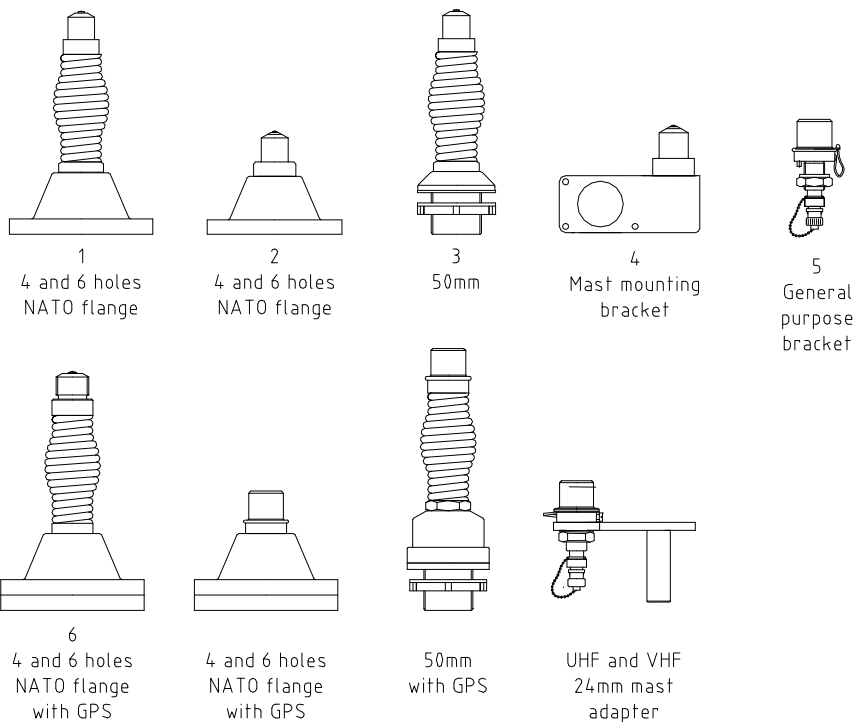
Design	Centered dipole. Radiating element completely enclosed in epoxy/fiberglass laminate. Metal parts are brass and stainless steel.
Length	0.875 m, with spring base
Weight	1.1 kg, ex. base
Wind rating	55 m/s = 125 mph
Finish	Polyurethane lacquer, olive drab.
Temperature range	-55 °C, +71 °C; -67 °F, +160 °F

## Radiation Diagram, Elevation:



300MHz

## Bases:



## Parts:

NATO codification	Description
5985-25-151-5830	Whip section
5985-25-142-7956	Base-1, NATO base with spring
5985-25-137-5052	Base-2, NATO Base without spring
5985-25-149-7065	Base-3, Ø 50 mm base spring
5985-25-144-0952	Base-4, Mast mounting bracket, BNC
5985-25-145-5085	Base-5, General purpose bracket
5985-25-146-6408	Base-6, NATO base with spring and GPS element See data sheet NTS-GPS

## Mounting:

The Mounting hardware makes UHF225450VM/HG an extremely flexible and versatile system. The same antenna element can be used for vehicles and mast mounting and for permanent installations. The antenna may easily be switched from one application to another without the use of tools. Mast adapters for different masts are available.