

# COMROD VHF30512CEF

## VHF/UHF Broadband Antenna



### Application:

The VHF30512CEF is an Ultra Wide Band antenna covering the complete 30 to 512MHz range. It is intended to be used on all kinds of vehicles including Jeeps, Trucks and Armoured vehicles.

The antenna needs no adjustments for different frequencies, and all the tuning elements are within the whip.

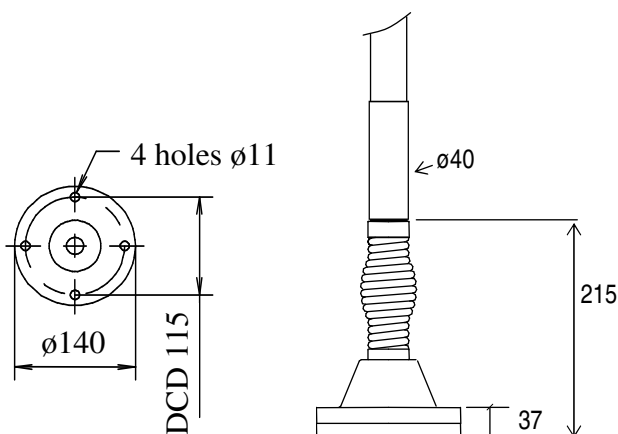
The novel design gives it a good gain and radiation pattern across the whole frequency range.

### Electrical specifications:

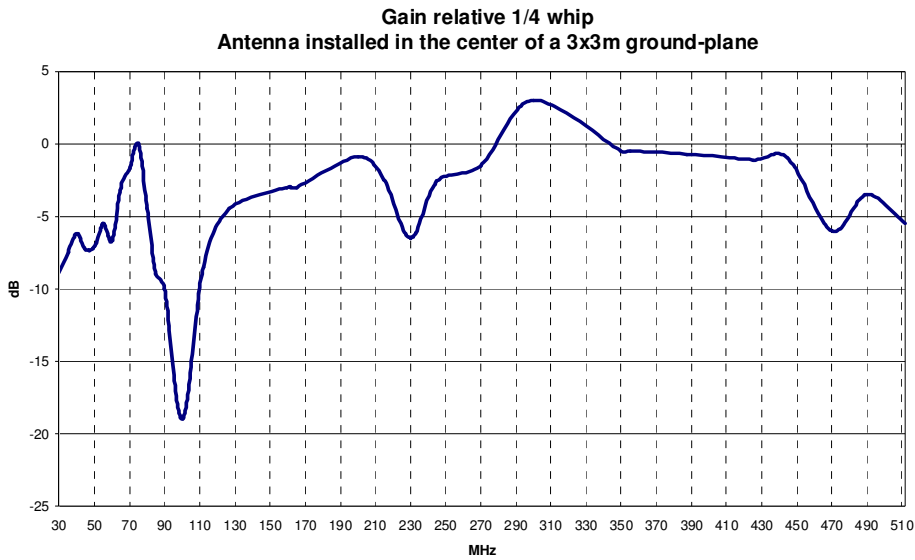
Frequency range	30 - 512MHz
VSWR	<3.5, see diagram overleaf
Nominal impedance	50 ohm
Power rating	50 W
Gain	-5.. 1.5 dB rel. $\frac{1}{4}\lambda$ , see diagram overleaf
Radiation pattern	Azimuth: Omnidirectional
Polarisation	Vertical
Connector	BNC female, others on request

### Mechanical specifications:

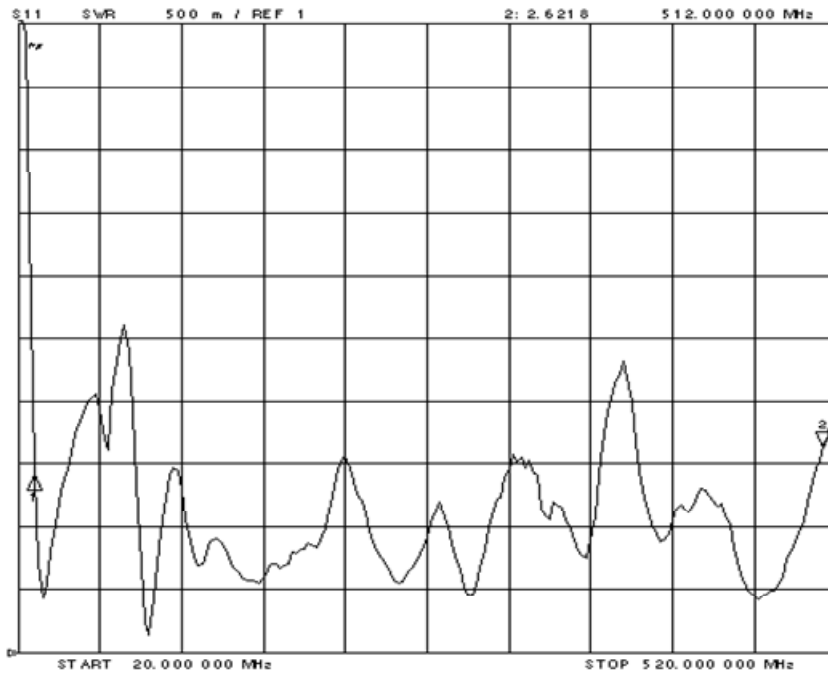
Design	Centered dipole on UHF. End-fed whip on VHF. Radiating element completely enclosed in epoxy/fiberglass laminate. Metal parts are brass and stainless steel.	
Length	Total:	2.66m
	Lower whip:	1.13m
	Upper whip:	1.45m
	Base:	0.23m
	Mast adapter:	0.37m
Weight	Total:	3.75kg
	Lower whip:	1.2kg
	Upper whip:	0.3kg
	Base:	2.25kg
Wind rating	55 m/s = 125 mph	
Finish	Polyurethane lacquer, olive drab.	
Temperature range	-55 °C, +71 °C; -67 °F, +160 °F	
Installation	Standard 4 hole NATO base with spring	



# Gain

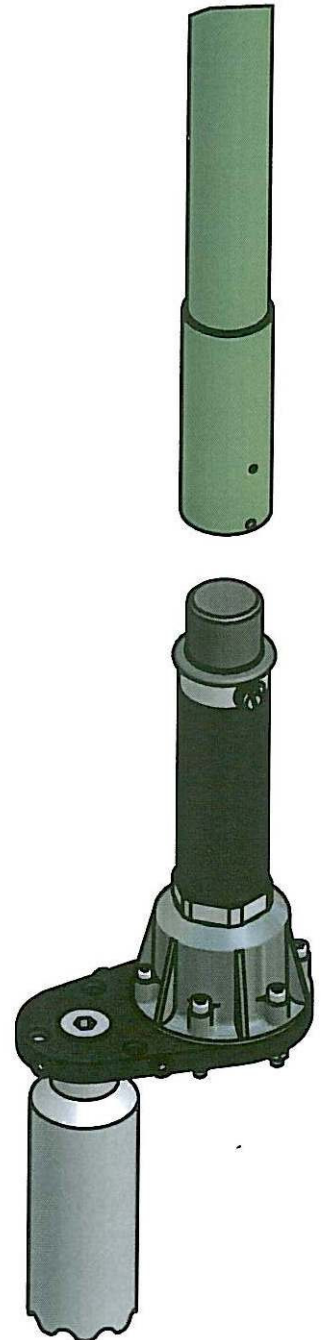


# VSWR



# Complete antenna / Parts:

Article number	NATO codification	Description
<b>040190</b>	5985-25-151-0268	<b>Complete antenna whip, base no.1</b>
040188	5985-25-151-0269	Base NT-S, BNC
040184	5985-25-151-0270	Lower whip section
043065	5985-25-142-7958	Upper whip section
043042	4010-25-148-2538	Tie Down Kit
043048-2		Mounting Kit



**VHF30512CEFM - Mast adapter**