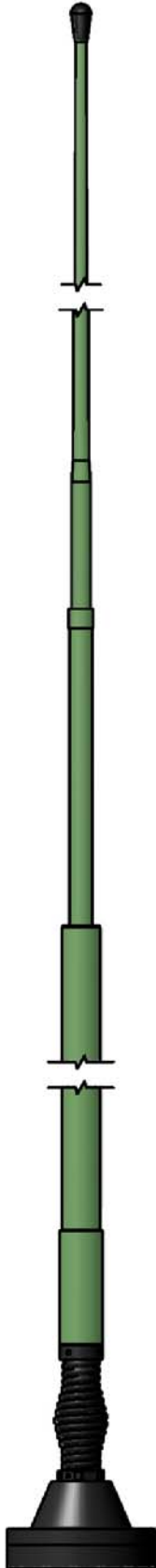


COMROD VHF30512CEF/GPS

VHF/UHF Broadband Antenna



Application:

The VHF30512CEF is an Ultra Wide Band antenna covering the complete 30 to 512MHz range. It is intended to be used on all kinds of vehicles including Jeeps, Trucks and Armoured vehicles.

The antenna needs no adjustments for different frequencies, and all the tuning elements are within the whip.

The novel design gives it a good gain and radiation pattern across the whole frequency range.

Instead of using separate GPS and VHF communication antennas, this installation will give you both with one base, simplifying installation and consequently reducing costs. The GPS antenna will not be affected by the use of full transmitting power on VHF/UHF.

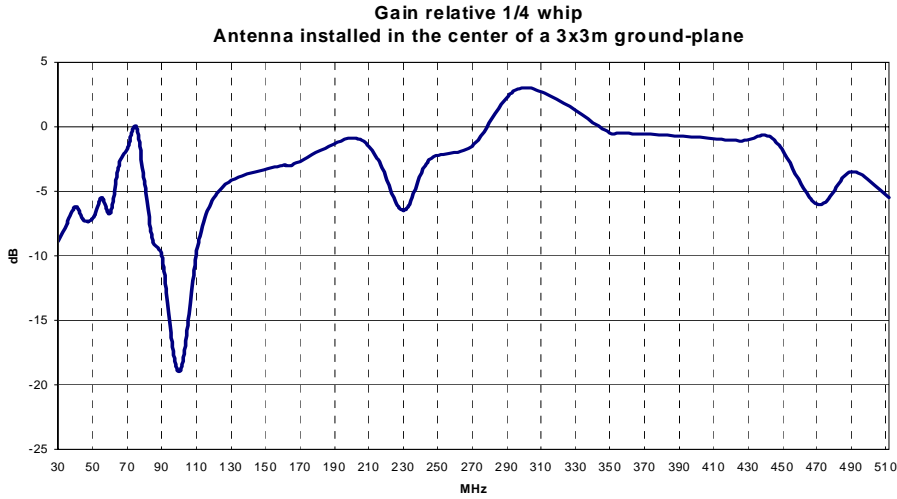
Electrical specifications:

Frequency range	30 - 512MHz
VSWR	< 3.5
Nominal impedance	50 ohm
Power rating	50 W
Gain	-5.. 1.5 dB rel. $\frac{1}{4}\lambda$
Radiation pattern	Azimuth: Omnidirectional
Polarisation	Vertical
Connector	BNC female, others on request

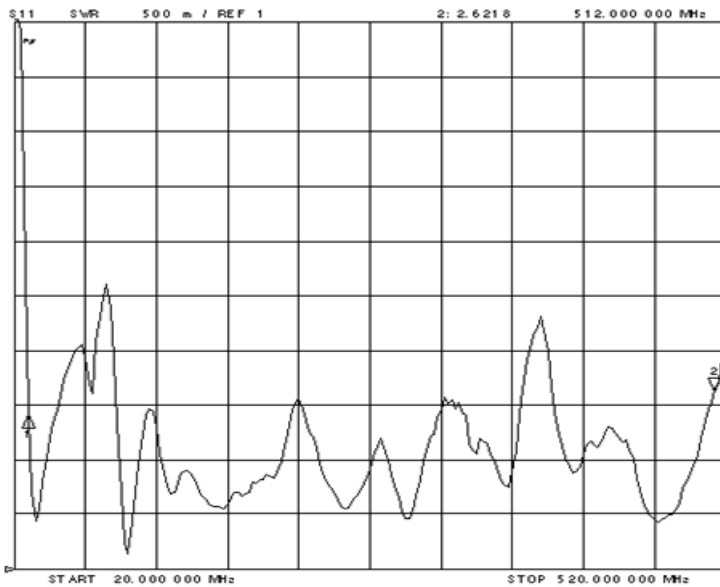
Mechanical specifications:

Design	Centerfed dipole on UHF. End-fed whip on VHF. Radiating element completely enclosed in epoxy/fiberglass laminate. Metal parts are brass and stainless steel.	
Length	Total:	2.66m
	Lower whip:	1.13m
	Upper whip:	1.45m
	Base:	0.24m
Weight	Total:	3.75kg
	Lower whip:	1.2kg
	Upper whip:	0.3kg
	Base:	2.25kg
Wind rating	55 m/s = 125 mph	
Finish	Polyurethane lacquer, olive drab.	
Temperature range	-55 °C, +71 °C; -67 °F, +160 °F	
Installation	Standard 4 hole NATO base with spring	

Gain



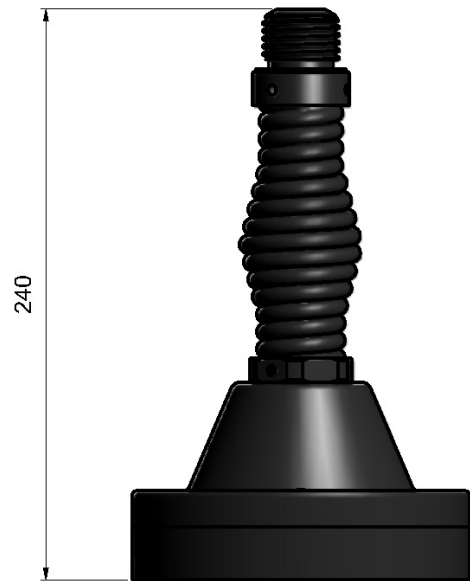
VSWR



Base:

Mounting:

Standard 4 hole NATO flange, with conducting gasket, or strap for grounding.



GPS specifications:

GPS frequency range:	L1, 1575.42 ± 10MHz
GPS preamplifier gain:	26.5 dB
GPS noise figure:	2.5dB
GPS supply voltage:	5.0 ± 0.5V
GPS supply current:	< 40mA
Connector VHF:	BNC female
GPS:	SMA female

Complete antenna / Parts:

Article number	NATO codification	Description
040195	5985-25-151-0271	Complete antenna whip, base no.1
040198	5985-25-151-0272	Base NT-S, BNC/SMA
040184	5985-25-151-0270	Lower whip section
043065	5985-25-142-7958	Upper whip section
044156-1		Mounting Kit

