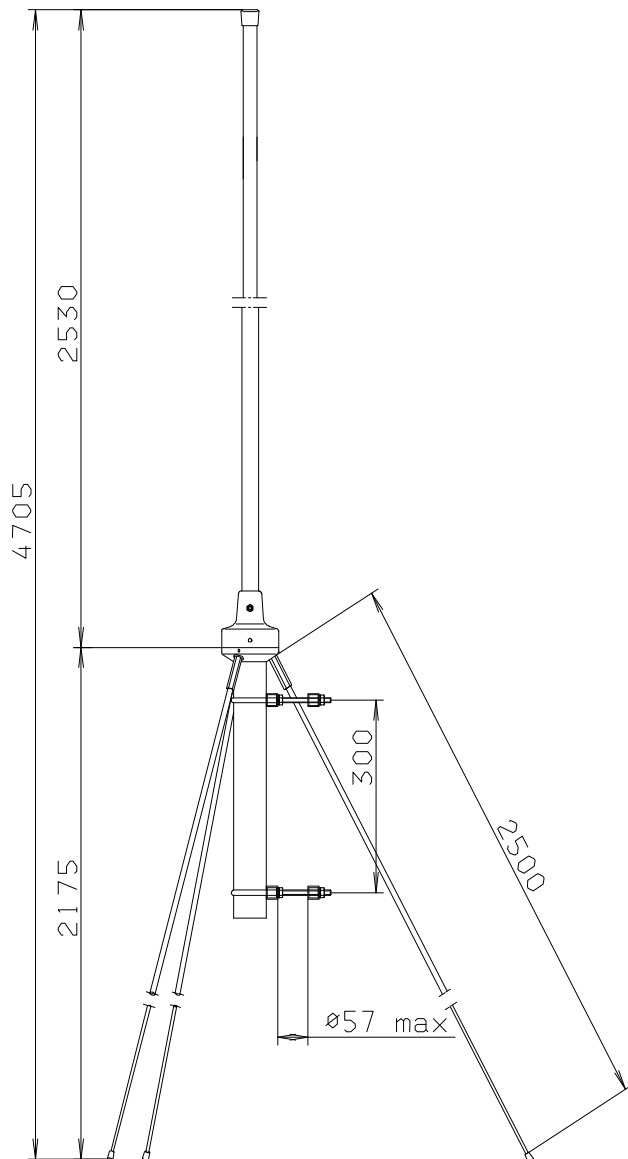


COMROD VHF3088PM

VHF Broadband Ground Plane Antenna



Features:

- * 30 - 88 MHz
- * No adjustments required
- * Permanent mounting on base stations
- * Fixed ground plane radials
- * Clamped to fixture by means of U-bolts
- * High radiating efficiency

Electrical specifications:

Frequency range	30 - 88 MHz
VSWR	see diagram, overleaf
Nominal impedance	50 ohm
Power rating	100 W cw
Gain	see diagram, overleaf
Radiation diagram (Pattern)	Azimuth: Omnidirectional Elevation: See overleaf
Polarization	Vertical
Connector	N or customer specified

Mechanical specifications:

Design	Radiating elements completely enclosed in epoxy/fibreglass laminate. Metal parts are brass and stainless steel.
Length, mounted	4.7 m
Weight	4.0 kg.
Wind rating	55 m/s = 125 mph
Finish	Polyurethane lacquer, olive drab.
Temperature range	-55 °C, +55 °C; -67 °F, +131 °F

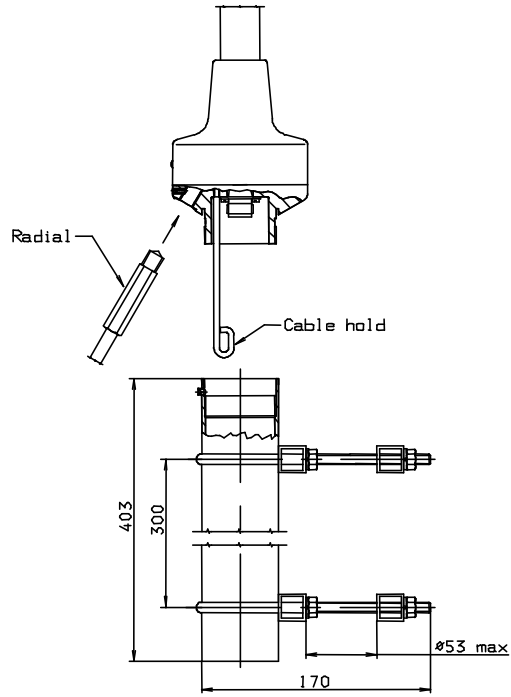
Mounting:

For permanent mounting on base stations. Ground plane radials are fixed at installation point. Strong U-bolts give great flexibility with regarding to dimensions of mounting fixture.

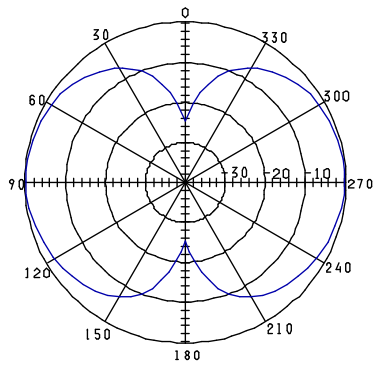
Available with lightning protection.

Nato codification complete antenna

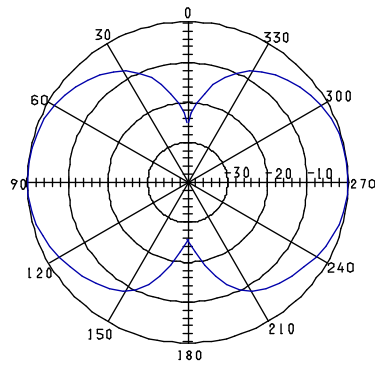
5985-25-134-1495



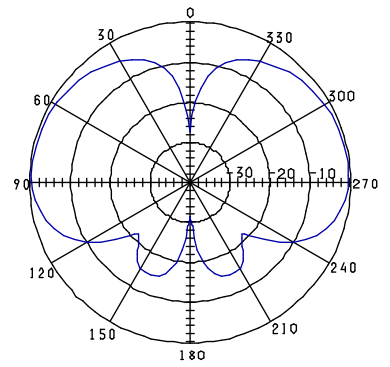
Radiation Diagram, Elevation:



30MHz

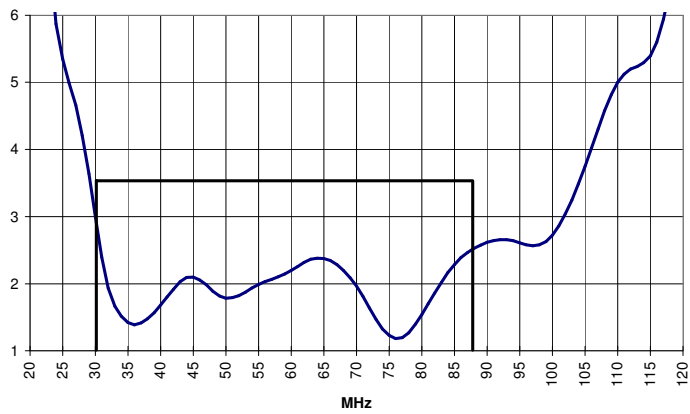


60MHz



88MHz

VSWR



GAIN, relative dipole

