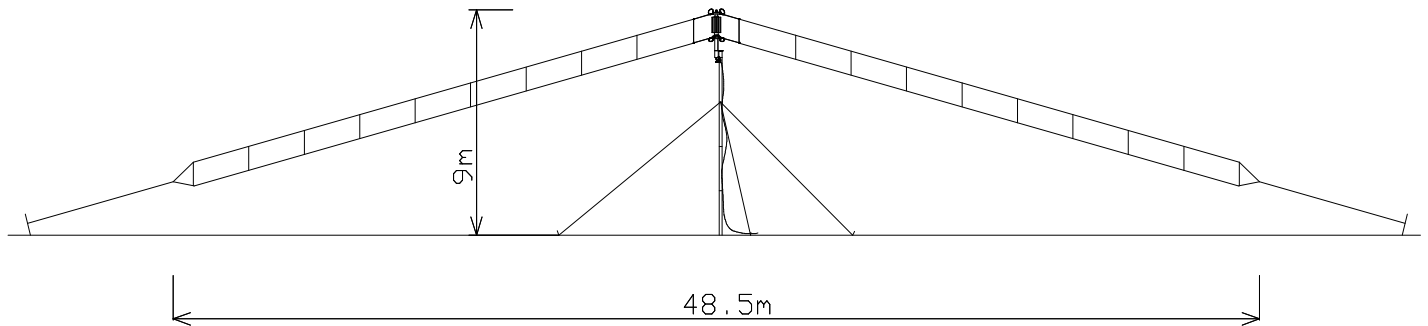


# COMROD AH51KW

## HF Broadband Dipole

### Features:

- \* 1.6 - 30 MHz
- \* With load to obtain broad band characteristics
- \* Permitting fast frequency shifts as it does not require adjustments
- \* Easy to mount and dismount
- \* Require only one mast 8 - 12 m high
- \* Compact package for transportation



### Electrical specifications:

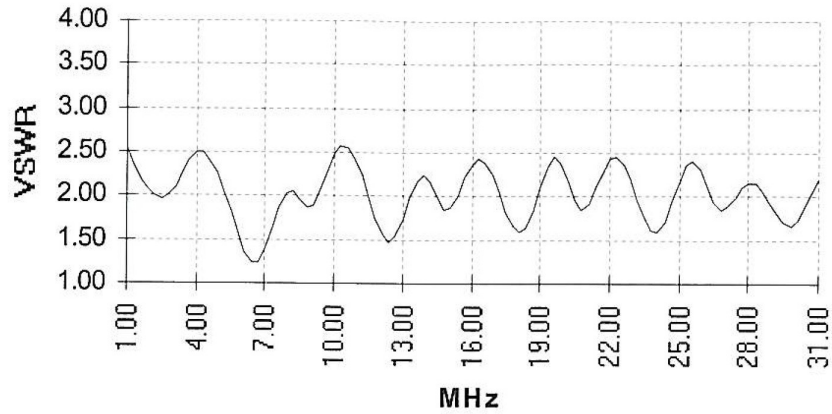
Frequency range	1.6 - 30 MHz
VSWR	Better than 3.0:1 see diagram, overleaf
Nominal impedance	50 ohm
Power rating	1 kW 5minute 300W CW
Radiation diagram	Same as a dipole antenna with the same dimensions.
Connector	BNC or custom specified

### Mechanical specifications:

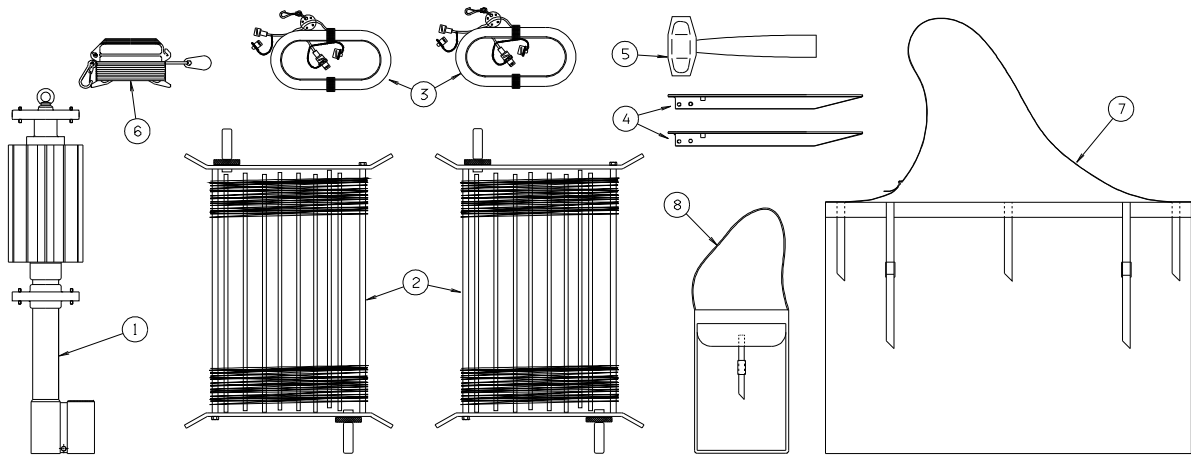
Design	Centre section with terminals, two dipole arms, a suspension line for each dipole arms and two winders.
Length, dipole arms	2 x 25 m
Length, suspension line	2 x 25 m
Weight, total	16 kg
Weight, centre section	8 kg

Nato codification complete antenna	5985-25-145-5924
------------------------------------	------------------

## Typical Standing Wave Ratio:



## Description of package:



Part	Description	Quantity	Comment
1	Centre section	1	
2	Dipole element	2	
3	Cable & winder	-	Optional
4	Guy pegs	2	
5	Hammer	1	
6	Throwing weight	1	
7	Carrying bag	1	For antenna and accessories
8	Carrying bag	-	For cables, optional

## Mounting:

The antenna consists of a centre section with terminals, two dipole arms, a suspension line for each dipole arm and two winders. The centre section fits on a 50 mm mast top. It may be mounted as an inverted "V" with one mast, as a straight dipole with two masts or as a slanted dipole with one mast. The antenna can be mounted without any mast by using the winder with a throwing weight.