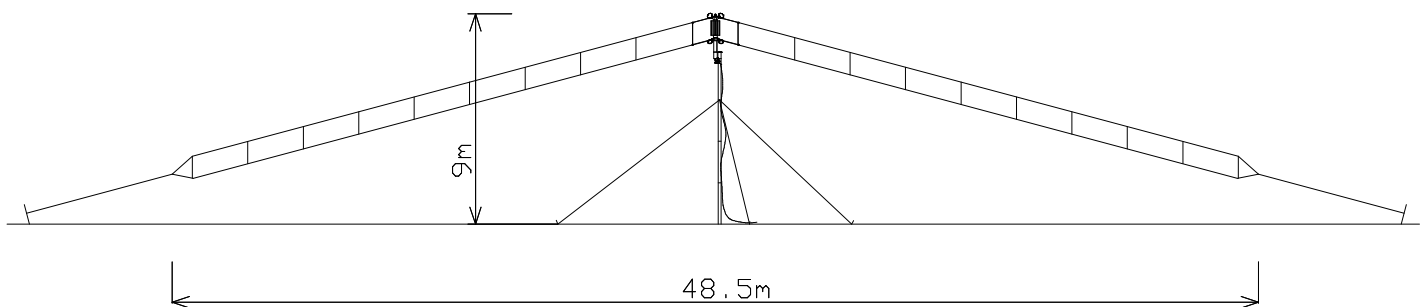


COMROD AH51

HF Broadband Dipole

Features:

- * 1.6 - 30 MHz
- * With load to obtain broad band characteristics
- * Permitting fast frequency shifts as it does not require adjustments
- * Easy to mount and dismount
- * Require only one mast 8 - 12 m high
- * Compact package for transportation



Electrical specifications:

Frequency range	1.6 - 30 MHz
VSWR	Better than 3.0:1 see diagram, overleaf
Nominal impedance	50 ohm
Power rating	400 W PEP 200W CW
Radiation diagram	Same as a dipole antenna with the same dimensions.
Connector	Coaxial, custom specified

Mechanical specifications:

Design	Centre section with terminals, two dipole arms, a suspension line for each dipole arms and two winders.
Length, dipole arms	2 x 25 m
Length, suspension line	2 x 25 m
Weight, total	14 kg
Weight, centre section	6 kg

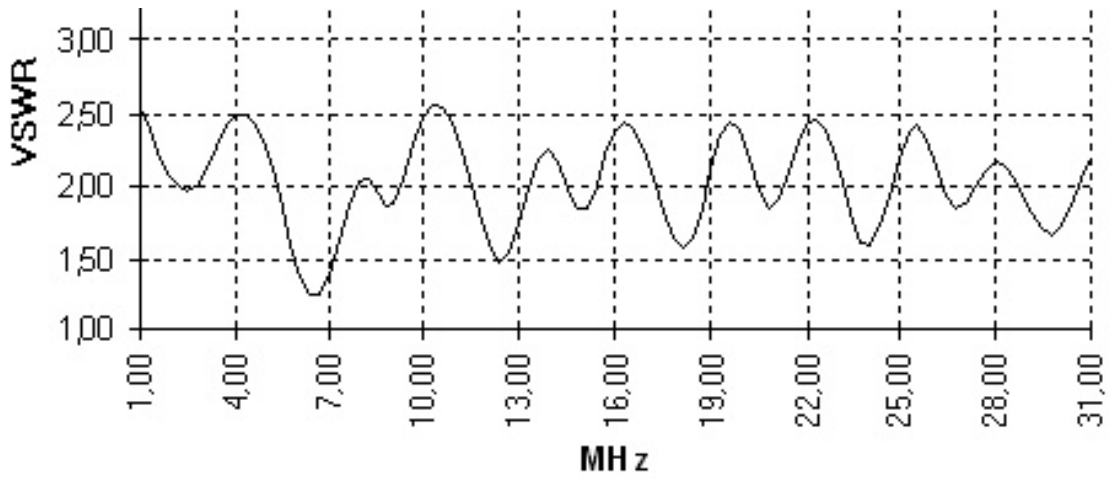
Mounting:

The antenna consists of a centre section with terminals, two dipole arms, a suspension line for each dipole arm and two winders. The centre section fits on a 50 mm mast top. It may be mounted as an inverted "V" with one mast, as a straight dipole with two masts or as a slanted dipole with one mast. The antenna can be mounted without any mast by using the winder with a throwing weight.

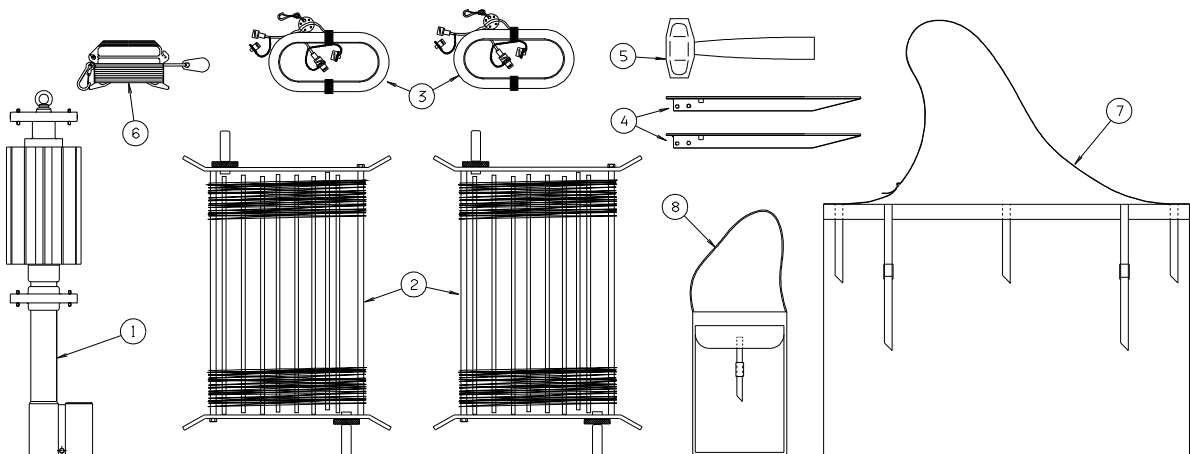
Nato codification complete antenna

5985-25-135-4545

Typical Standing Wave Ratio:



Description of package:



Part	Description	Quantity	Comment
1	Centre section	1	
2	Dipole element	2	
3	Cable & winder	-	Optional
4	Guy pegs	2	
5	Hammer	1	
6	Throwing weight	1	
7	Carrying bag	1	For antenna and accessories
8	Carrying bag	-	For cables, optional