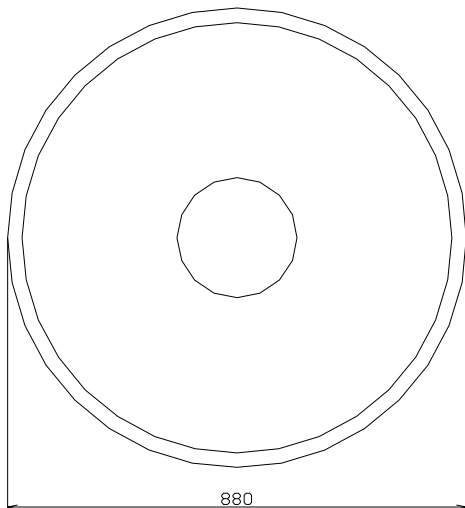
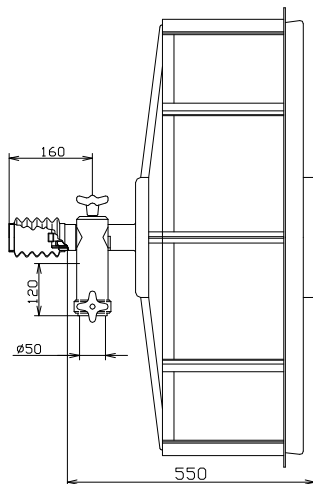


# COMROD AMW61

## Radio Link Antenna, 610-810MHz

### Application:

The AMW61 is a robust and lightweight antenna, ideally suited for both mobile and permanent installations. It is a modified short backfire antenna, with high aperture efficiency and excellent side and backlobe characteristics.



### Electrical specifications:

Frequency range	610 – 810 MHz
VSWR	< 2:1
Nominal impedance	50 ohm
Power max	200 W
Gain	12 – 15 dBi
Polarization	Linear, adjustable
Front/back ratio	20 dB
Connector	N, or custom specified

### Mechanical specifications:

Design	Aluminium and aluminium mesh, radiator embedded in hard foam.
Diameter	880 mm
Weight	12 kg
Wind rating	55 m/s
Finish	Lacquer, according to custom specification

### Mounting:

Mobile version with adapter for 50 mm diameter mast, or according to custom specification