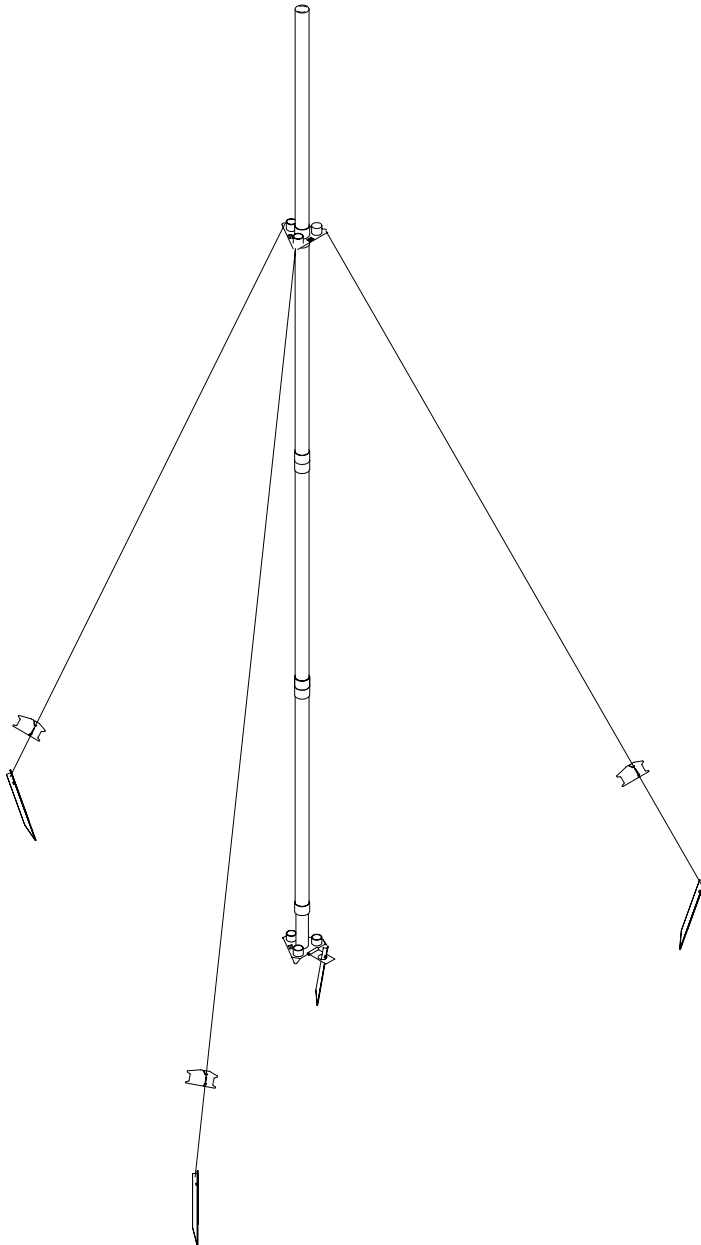


# COMROD AMX5F

## Portable 8 m Sectional Antenna Mast

### Application:

AMX5F is a portable, reinforced, lightweight, dielectric antenna mast system consisting of 4 tubular fiber glass sections. It can be used to support horizontal and vertical wire antennas, beam antennas, omnidirectional antennas and other antenna structures.



### Specifications:

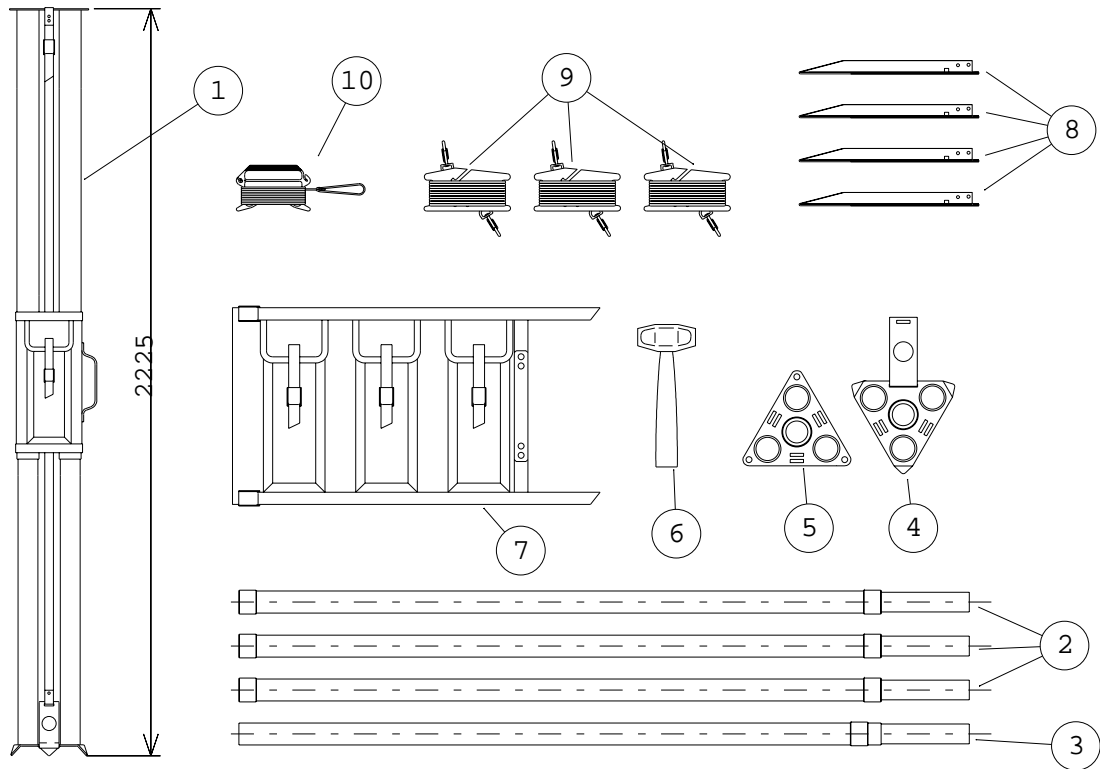
Mast sections:	Fibreglass tube 50/45, 2 m long with 20 cm jointing spigot. Olive drab laquer finish. 4 pcs.
Guy:	4 pcs, 3mm braided line on winder with adjustable lock and snap hooks each end.
Guy pegs:	4 pcs Stainless steel
Base plate:	Steel, with hinge for easy erection, 1 pc.
Guy plate:	Steel, for 3 guys, 1 pc.
Straps:	Rubber straps for clamping antenna feeder to the mast, 3 pcs.
Hammer:	1 kg short shaft hammer
Accessories bag:	Olive drab PVC coated nylon fabric with three pockets for all accessories. Straps around the four mast sections.
Top load:	Max. 16.0 kg
Total weight:	13 kg
Temperature range:	-55 °C, +55 °C; -67 °F, +131 °F

The mast design and accessories may be adjusted to various climatic and environmental conditions and special applications.

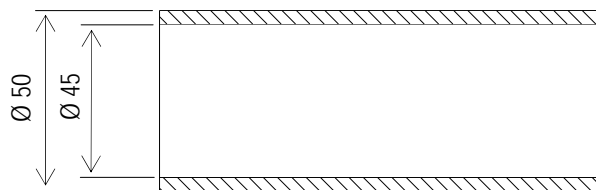
Nato codification complete antenna

5985-25-147-0410

# Description of package:



Part	Description	Quantity	Comment
1	Complete mast	1	
2	Mast section	3	
3	Mast top section	1	
4	Ground plate	1	
5	Guy plate	1	
6	Hammer	1	
7	Carrying bag	1	
8	Guy pegs	4	
9	Guy rope with winder	3	
10	Measuring line	1	



Part 3, details of top