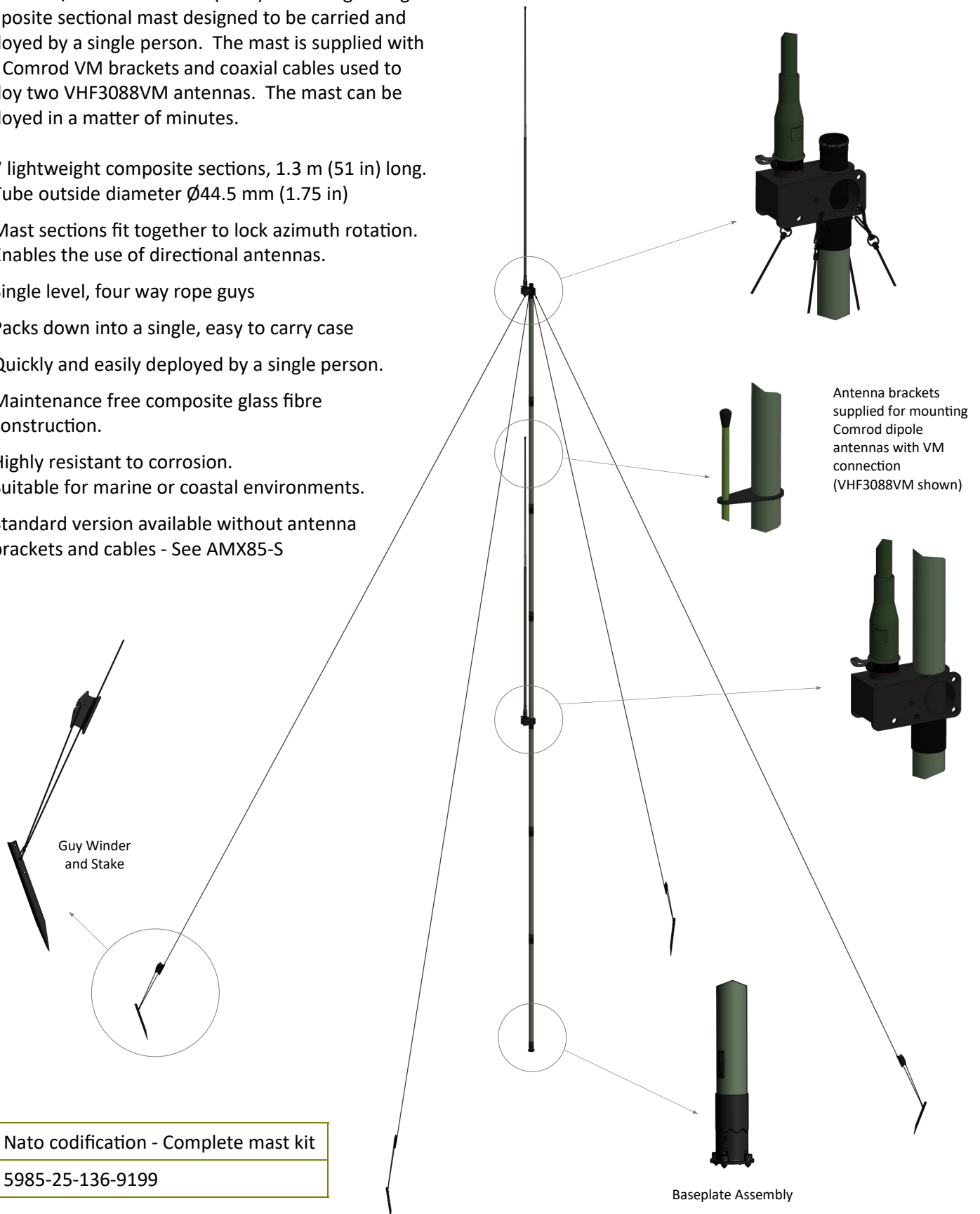


The AMX85/S is an 8.5 metre (28 ft) tactical lightweight composite sectional mast designed to be carried and deployed by a single person. The mast is supplied with two Comrod VM brackets and coaxial cables used to deploy two VHF3088VM antennas. The mast can be deployed in a matter of minutes.

- 7 lightweight composite sections, 1.3 m (51 in) long. Tube outside diameter \varnothing 44.5 mm (1.75 in)
- Mast sections fit together to lock azimuth rotation. Enables the use of directional antennas.
- Single level, four way rope guys
- Packs down into a single, easy to carry case
- Quickly and easily deployed by a single person.
- Maintenance free composite glass fibre construction.
- Highly resistant to corrosion. Suitable for marine or coastal environments.
- Standard version available without antenna brackets and cables - See AMX85-S

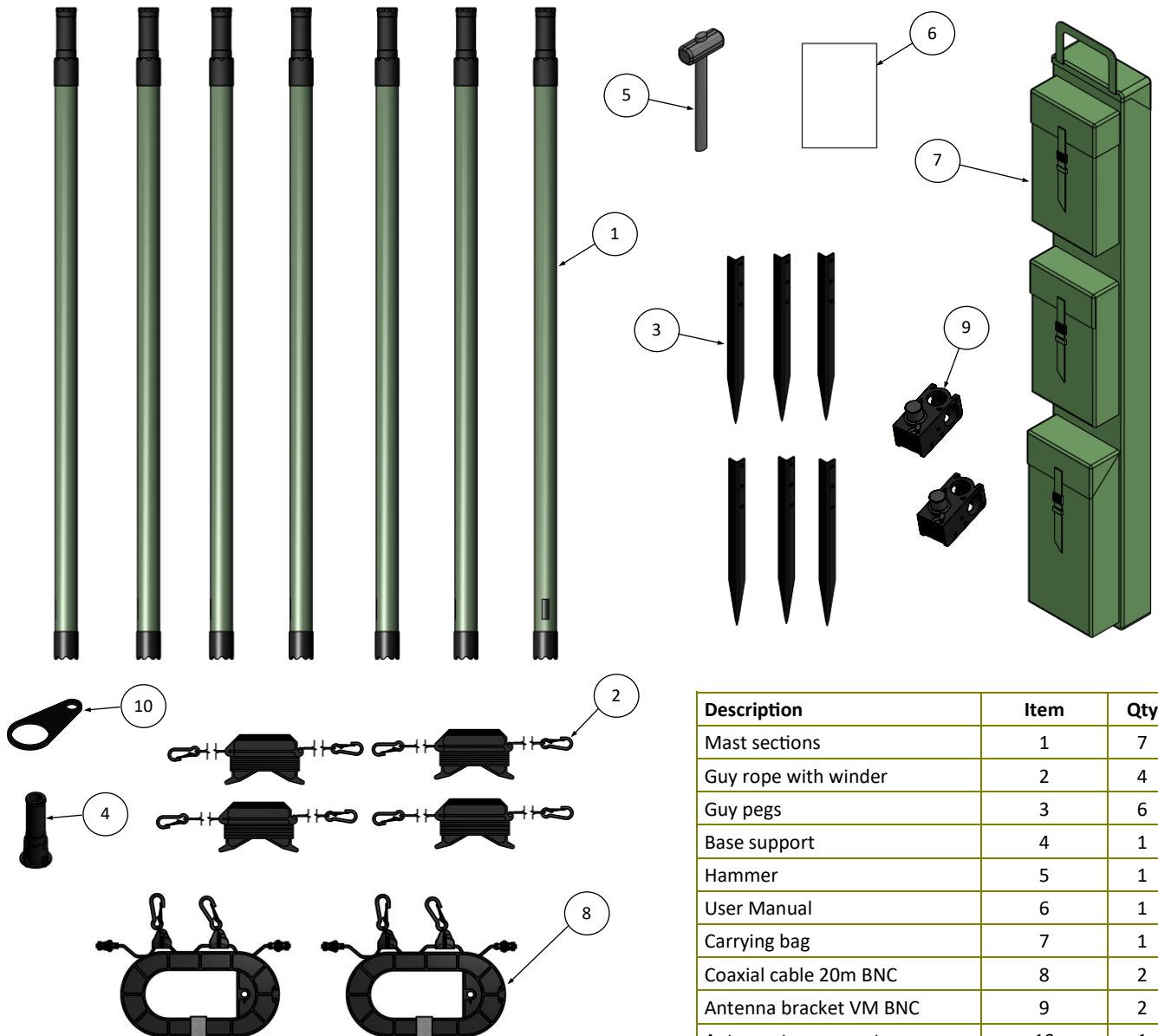


Nato codification - Complete mast kit
5985-25-136-9199

Mechanical Specification

Mast sections	Fibreglass tube outside diameter Ø44.5 mm, 122 cm long with 10 cm aluminium spigot. Olive drab lacquer finish. 7 pcs.
Total Kit Weight	13 Kg (29 lbs)
Top Interface	Ø39 mm OD spigot, 100 mm long (to fit 40 mm socket)
Guys	4 pcs, 3 mm braided rope on winder with adjustable lock and snap hooks each end.
Guy pegs	6 pcs powder coated steel.
Base support	Fibreglass with spikes and peg down loop.
Top load (Max)	4.0 kg (8.8 lbs) *
Wind Speed (Max)	96 km/h (60 mph), including gust
Temperature range	-55 °C, +55 °C; -67 °F, +131 °F

* Subject to top load wind surface area.



Description	Item	Qty
Mast sections	1	7
Guy rope with winder	2	4
Guy pegs	3	6
Base support	4	1
Hammer	5	1
User Manual	6	1
Carrying bag	7	1
Coaxial cable 20m BNC	8	2
Antenna bracket VM BNC	9	2
Antenna top support	10	1