

Application

- Broadband VHF folding whip designed for use over the 30-108 MHz frequency band.
- Utilizes eight copper coated epoxy fiberglass elements that give excellent mechanical and electrical properties.
- Spring or gooseneck option available between the whip and antenna matching unit. Spring for mechanical shock protection, gooseneck to orientate antenna whip.
- Broadband matching network is used to ensure maximum available gain across the complete frequency band.
- Connector options available.
- High Voltage (HV) protection option available.
- L1 and L1/L2 GPS options available.

Electrical Specification

Frequency range	30-108 MHz
Impedance	50 Ohm
VSWR	< 3.5
Power rating	25 W
Connector options	TNC N-type Customer specified

Mechanical Specification

Design	Broadband monopole foldable whip with spring or gooseneck and antenna matching unit (AMU). Elements made from copper coated fibreglass epoxy.
Length*	2.7m (106 in)
Weight*	0.75kg (1.7 lbs)
Finish	Polyurethane lacquer black, other colors on request.
Temperature range	-55 °C, +71 °C; -67 °F, +160 °F

* depending on configuration



APX28 shown with spring and 25W VHF 30-108MHz antenna matching unit (see page 2 for options)

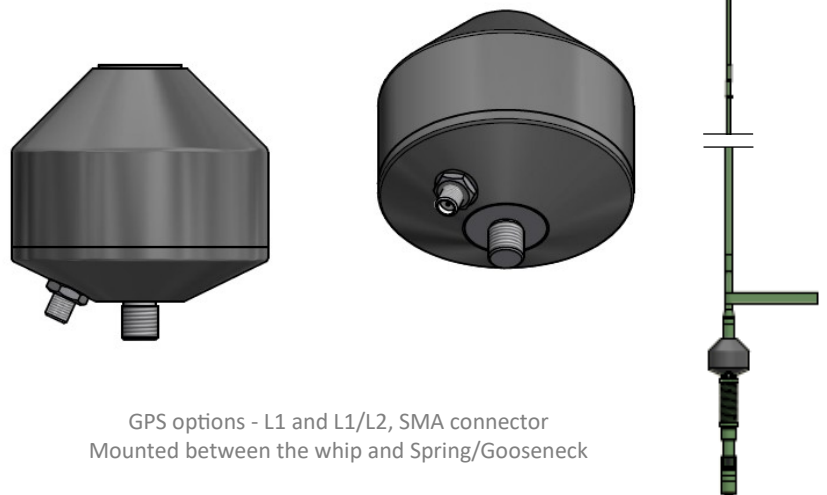
Options



APX28 shown with gooseneck and 25W VHF 30-108MHz antenna matching unit (AMU)



Typical antenna matching unit (AMU) options -
Left - 25W VHF 30-108MHz
Right - 25W VHF 30-108 MHz with High Voltage Protection



GPS options - L1 and L1/L2, SMA connector
Mounted between the whip and Spring/Gooseneck