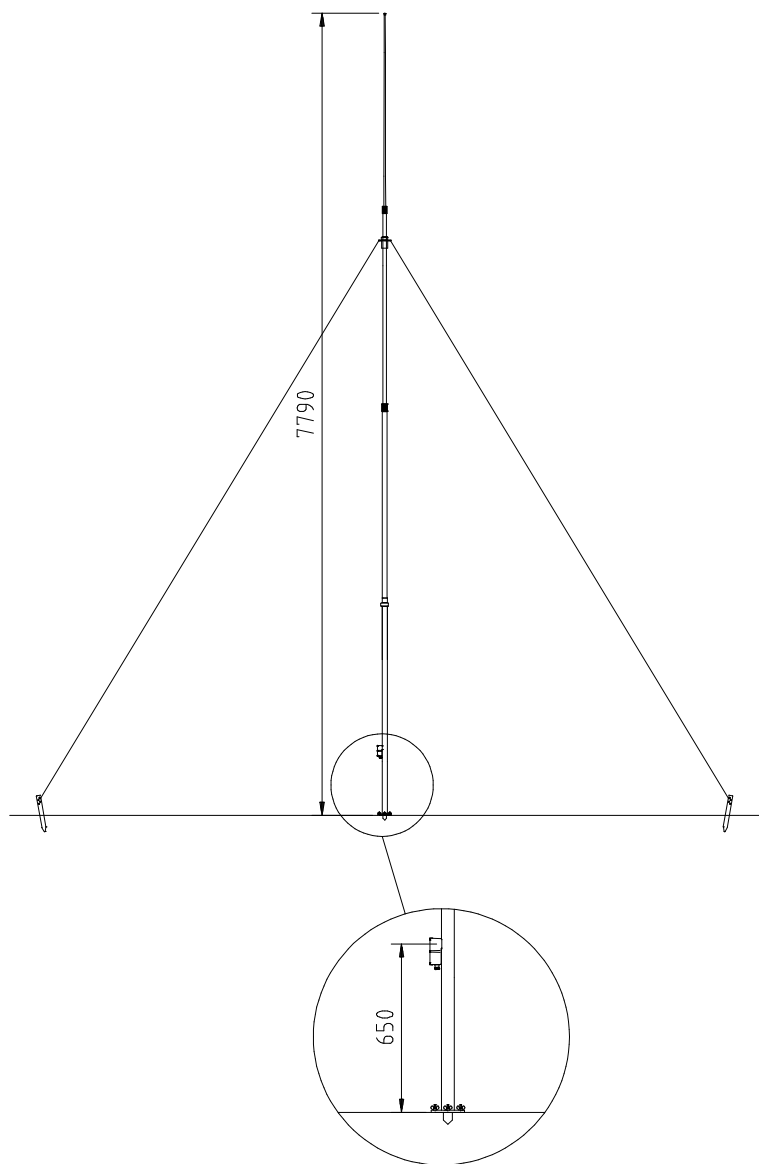


COMROD APX80

8m HF Whip Antenna



Application:

The APX80 is a high performance tactical mast antenna. It is easy to erect even if the total length is 8m. The antenna is made from 4 sections that are easily screwed together. APX80 comes complete with all accessories, even a ground plane. The ground plane consists of 8 radial wires which is connected to the base plate. The antenna can be used both for transmit and receive applications.

Electrical specifications:

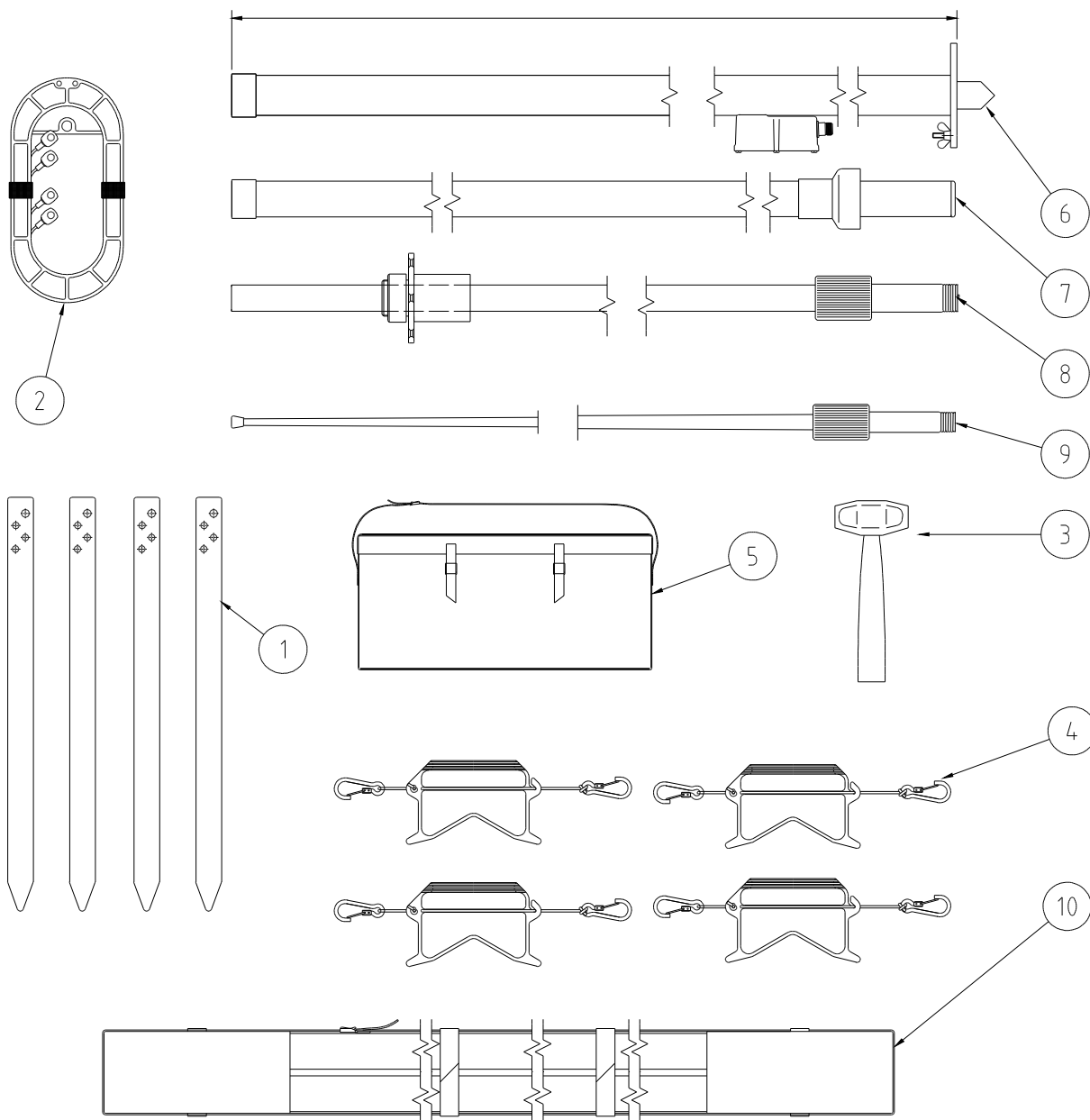
Frequency range	1.6-30 MHz
Resonant frequency	9.6 MHz
Power rating	1000 W
Polarization	Vertical
Connector	Depends on application, to be specified.

Mechanical specifications:

Design	End fed whip with ground plane consisting of 8 radials. The whip consists of 4 sections. Radiating elements completely enclosed in epoxy/fiberglass laminate.
Wind rating	55m/s
Finish	Polyurethane lacquer, olive.
Temperature range	-55 °C, +71 °C; -67 °F, +160 °F
Weight	Approx. 25kg
Length	8m 2m, packed

The antenna can be used at lower frequencies if the maximum power is reduced. This makes it possible to use it as a portable antenna for MF beacons.

Description of package:



Part	Description	Quantity	Comment
1	Guy Pegs	4	
2	Ground plane cable assembly	1	
3	Hammer	1	
4	Guy rope on winder	4	
5	Accessories bag	1	
6	Antenna base section	1	
7	Antenna lower middle section	1	
8	Antenna upper middle section	1	
9	Antenna top section	1	
10	Carrying bag for antenna	1	