

### **Application:**

AR10MA/MF is an efficient active fibreglass receiving antenna for frequencies between 0.25-2MHz. It is intended for use together with a Navtex or Differential- GPS receiver. The antenna has good large signal handling characteristics, and is also very sensitive. The power supply is via the coaxial cable from the receiver.

### **Electrical specifications:**

The antenna is protected against static discharges and surges at the power line.

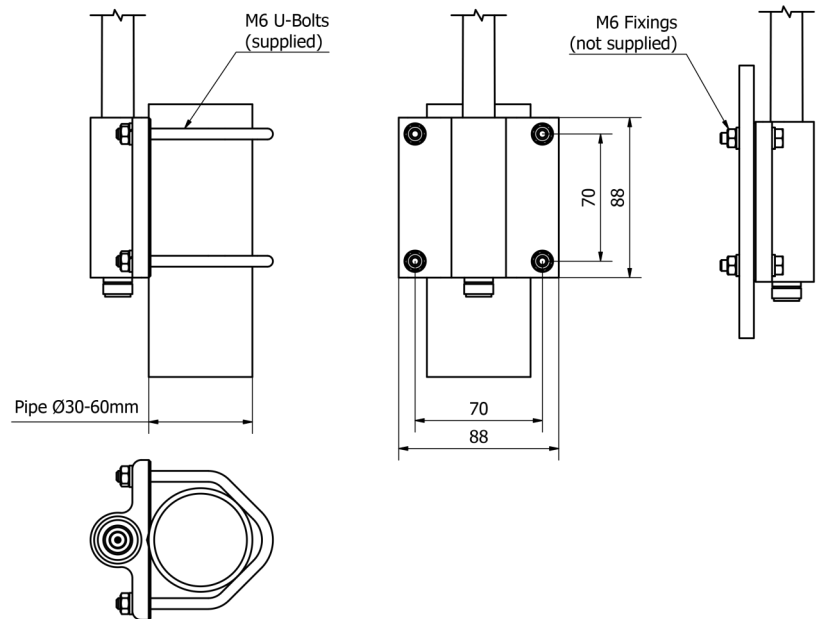
Frequency range	0.25-2.5 MHz
Pattern	Omnidirectional
Polarization	Vertical
Impedance	50 $\Omega$
Antenna factor	0.1 - 1
Supply voltage	9-15 VDC
Sensitivity	0.025uV/vHz for 0dB S/N at 500KHz
Connector	UHF female

### **Mechanical specifications:**

Design	Fibreglass whip with amplifier in the base.
Height	1.1 m (3.6 ft)
Weight	1 kg, including U-bolts.
Number of sections	1
Wind rating	55 m/s = 125 mph
Ingress	IP67
Moment of flexure	2.5 kpm at 55 m/s wind load
Finish	Polyurethane lacquer, white
Temperature range	-55 °C, +71 °C; -67 °F, +160 °F

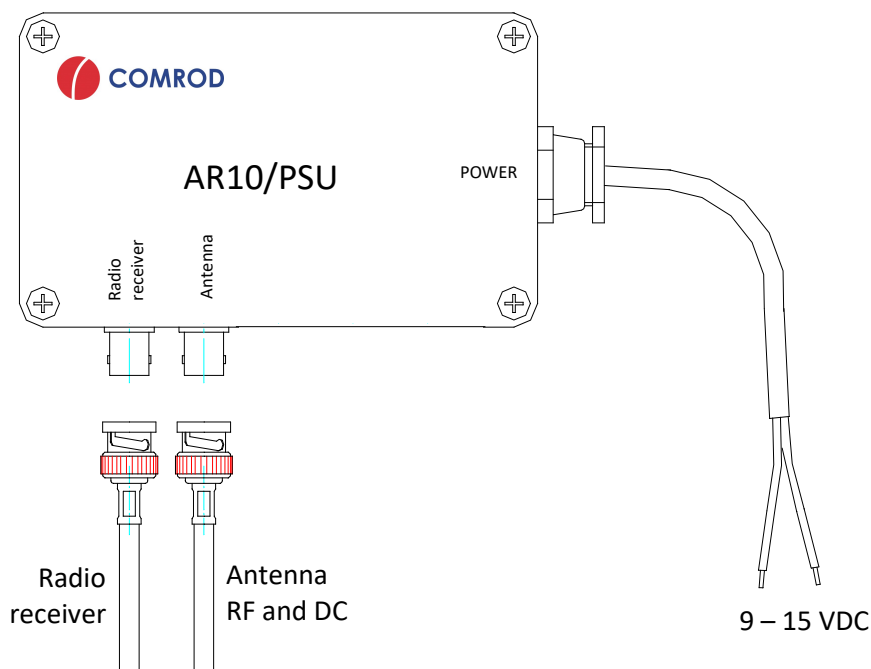
## Mounting

AR10MA/MF is easily mounted to the bulkhead by means of 4 holes in the aluminum bracket, or to a mast or tube with U-bolts. The U-bolts in stainless steel, are included. Suitable cable: RG58, RG213 or similar.



## Accessories

Power supply unit



### Electrical specifications, AR10/PSU

The AR10/PSU is a stabilised power supply unit for power supply via the antenna coaxial cable. It comes with a AC230/DC12 V adapter.

Frequency range	0.2-10 MHz
Impedance	50 W
RF Loss	< 0.2 dB
Supply voltage	9-15 VDC, current < 15mA
Connector	BNC