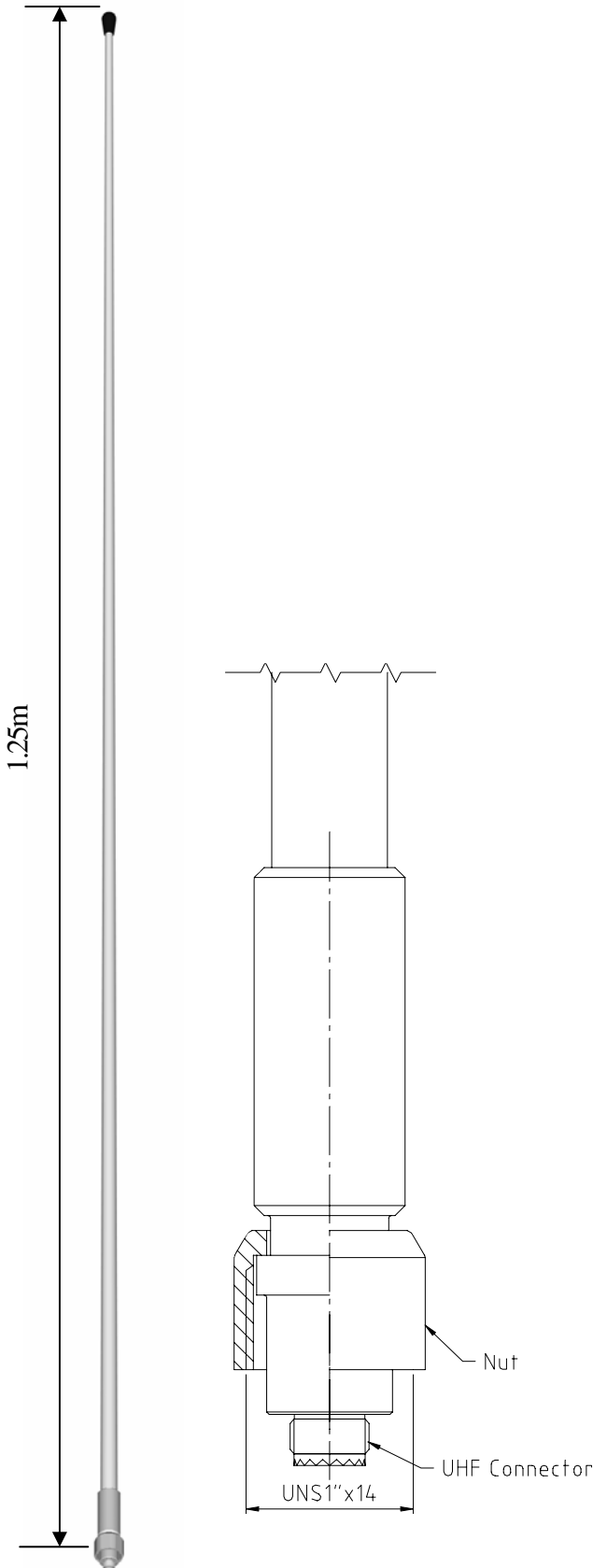


COMROD AV17P4

Cellular GSM-900 Antenna



Application:

The AV17-P4 is a high quality antenna designed for the UHF cellular radio telephone service including GSM, and it may be installed on all kinds of vessels, from pleasure crafts to ocean liners.

It does not require a ground plane.

Electrical specifications:

Frequency range	890-960 MHz, VSWR < 2
Nominal impedance	50 ohm
Power rating	100 W
Gain	6 dB
Pattern	Horizontal plane: Omnidirectional
Polarization	Vertical
Connector	N female is standard

Mechanical specifications:

Design	Stacked dipoles. Radiating elements completely enclosed in polyurethane foam within a fiberglass tube.
Weight	0.5 kg
Length	4ft.
Wind rating	55 m/s = 125 mph
Finish	Stainless steel, polyurethane lacquer - white
Temperature range	-55 °C, +71 °C; -67 °F, +160°F

Mounting:

The AV17-P is fitted with UNS1"x14 male ferrules and BSP1" x 11 nut.

Adapter for UNS1"x14 female ferrules is available (see reverse page).

Can be used with all standard mounting accessories.

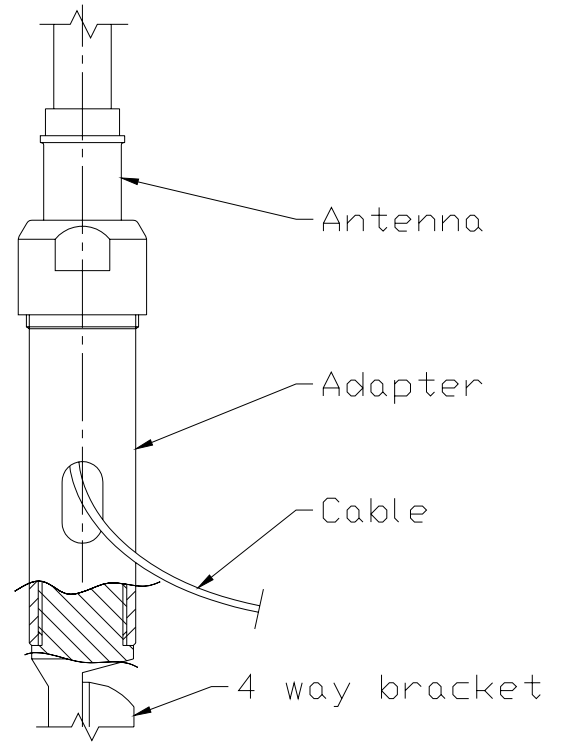
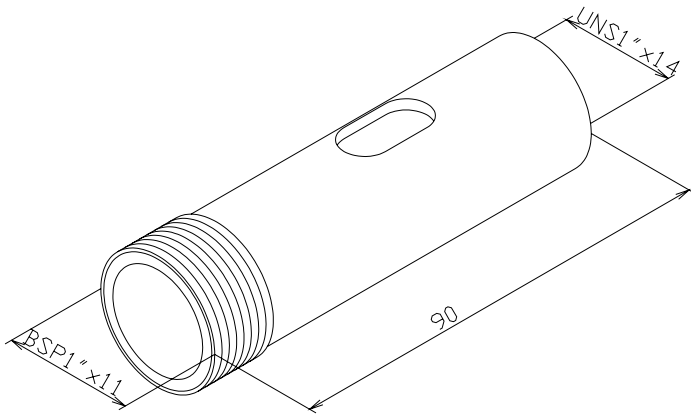
Instead of using the adapter, the antenna can be mounted at a pipe with BSP1" x 11 male threads.

Suitable cable: RG58, RG213 or similar.

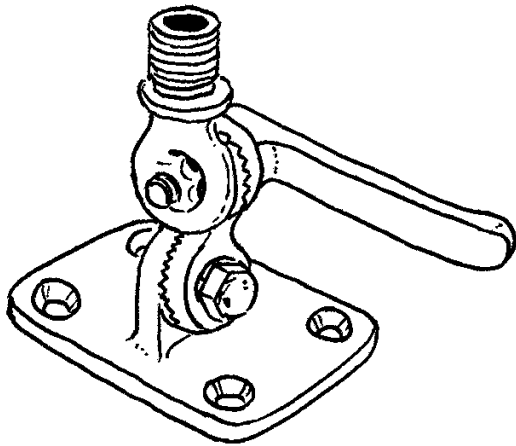
BSP : British Standard Pipe

UNS: Unifield Special

Supplement: (optional extra)



4 way bracket.



Extension Masts.

