

Application:

AV55 is a high gain antenna for wireless LAN that complies with the IEEE802.11g. The antenna is omnidirectional and has a beamwidth of 25° which is suitable for installations on vessels that can heel. It is a high quality antenna with a durable construction and a beautiful finish for installation on all kind of vessels. The antenna is available with three mounting options and in three heights.

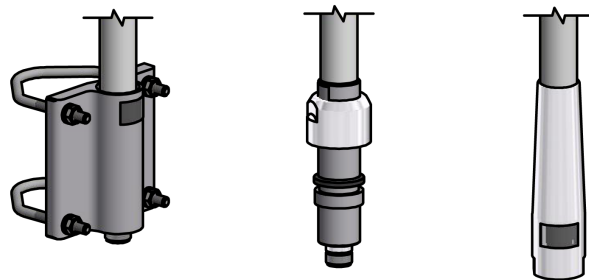
Electrical specifications:

Frequency range	2400 - 2500MHz
VSWR	1.8
Nominal impedance	50 ohm
Power rating	5 W
Gain	8 dBi
Polarization	Vertical
Connector	N female

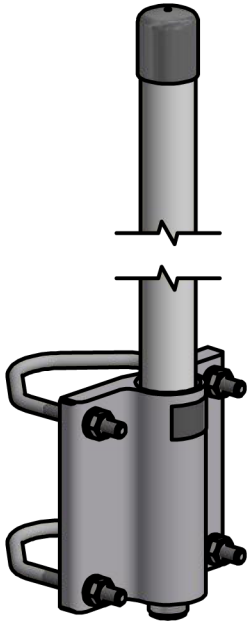
Mechanical specifications:

Design	Phased $\lambda/2$ elements in a collinear array. Radiating elements completely enclosed in polyurethane foam within a fiberglass tube.		
Height	2.4 m (8 ft)	1.2 m (4 ft)	0.6 m (2 ft)
Weight (approx)	1.1 kg (2.4 lbs)	0.55 kg (1.2 lbs)	0.5 kg (1.1 lbs)
Wind rating	55 m/s = 125 mph		
Finish	Polyurethane lacquer, white		
Temperature range	-40°C, +50°C;+ -28 °F, +122°F		

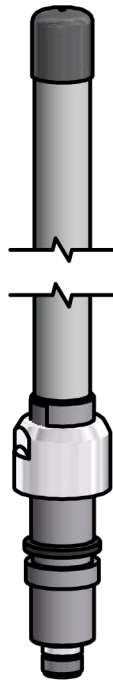
Mounting Options (see page 2)



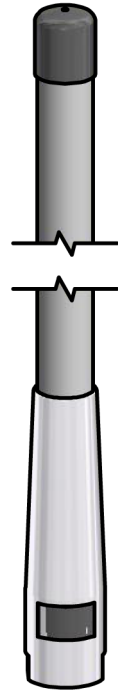
Antenna Mounting Configurations



AV55M
 Ø30-60mm Pole Mount
 Bulkhead Mount



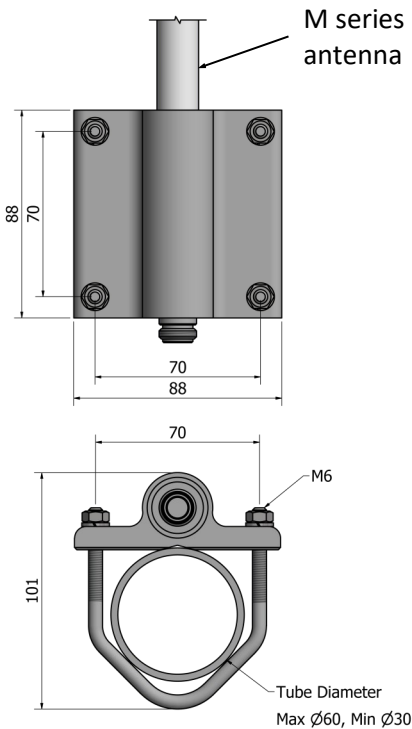
AV55P
 BSP 1" x 11
 Bayonet Thread Mount



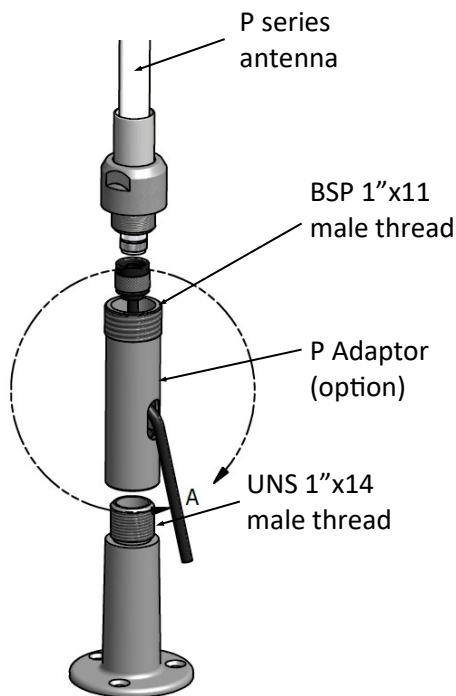
AV55BI
 UNS 1" x 14
 Thread Mount

Mounting Accessories

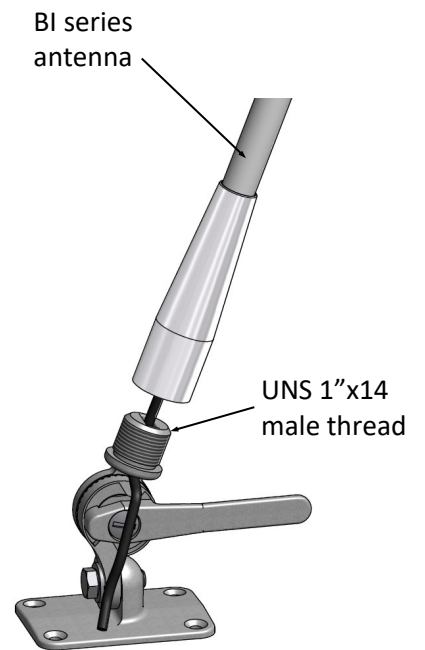
Comrod has a range of antenna mounting brackets and adaptors for P series and BI series antennas. Please visit Comrod website www.comrod.com for more details or email sales@comrod.com



Mast mount bracket
 (standard on AV55M)

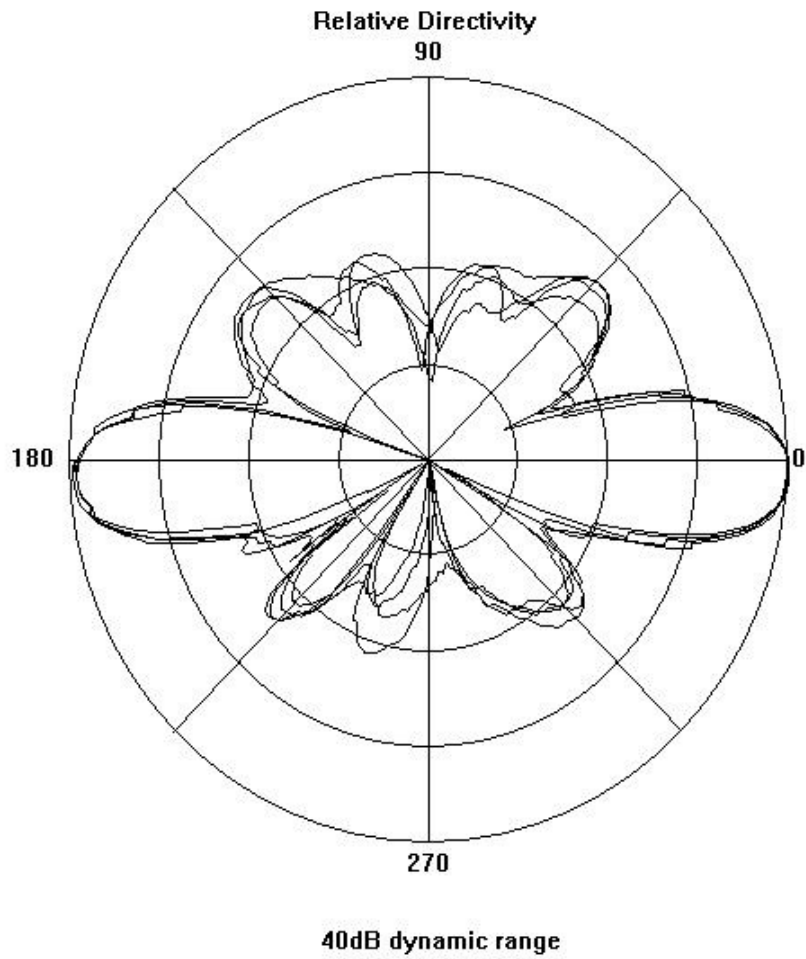


Straight mount bracket
 (option)



4-Way Bracket
 (option)

Typical Radiation Pattern



Radiation pattern for 2400, 2420, 2460 and 2480MHz