

# COMROD AV57

## 4' - VHF Dipole Antenna



### Application:

AV57 is a high quality dipole antenna designed for the satellite messaging systems. It is a high quality antenna with a durable construction and a beautiful finish for installation on all kinds of vessels.

### Electrical specifications:

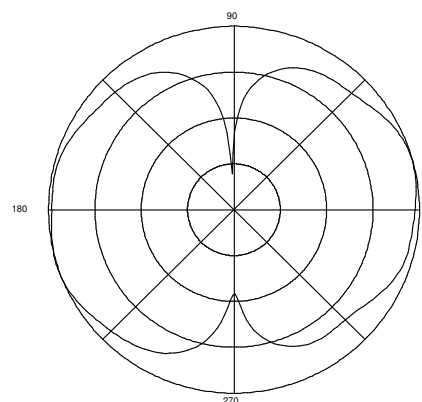
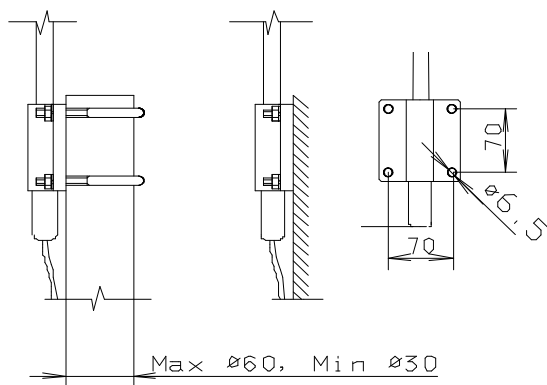
Frequency range	137-150 MHz, VSWR < 2:1
Nominal impedance	50 ohm
Power rating	100 W
Gain	3 dB
Pattern	Horizontal plane: Omnidirectional Vertical plane: See radiation pattern below
Polarization	Vertical
Connector	UHF female is standard
DC-grounded	Yes

### Mechanical specifications:

Design	Centered coaxial dipole. Radiating elements completely enclosed in polyurethane foam within a fiberglass tube. Mounting bracket in aluminium.
Height	1.26 m (4 ft)
Weight	1 kg, including U-bolts
Wind rating	55 m/s = 125 mph
Finish	Polyurethane lacquer, white
Temperature range	-55 °C, +71 °C; -67 °F, +160 °F

### Mounting:

AV57 is easily mounted to the bulkhead by means of 4 holes in the aluminium bracket, or to a mast or tube with U-bolts. The tube may be horizontal or vertical. The U-bolts in stainless steel, are included. Suitable cable: RG8, RG213 or similar.



Radiation pattern