

Application

The AV62M is a rugged high gain antenna designed for the maritime VHF radio telephone service. It is a high quality antenna with a durable construction and a beautiful finish for installation on all kind of vessels.

Electrical specifications

Frequency range	156-159 MHz, VSWR < 1.5 : 1 153-162 MHz, VSWR < 2 : 1
Nominal impedance	50 ohm
Power rating	100 W
Gain	4 dbi
Pattern	Horizontal plane: Omnidirectional Vertical plane: See reverse side
Polarization	Vertical
Connector	UHF female
DC-grounded	Yes

Mechanical specifications

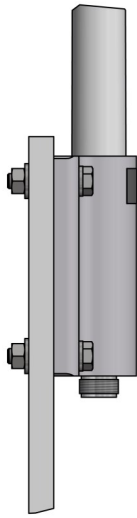
Design	Collinear dipole brass elements. Radiating element completely enclosed in polyurethane foam within a fiberglass tube. Aluminum base
Height	8 ft (2.4 m)
Weight	2.5 kg
Wind rating	55 m/s = 125 mph
Finish	Polyurethane lacquer, white
Temperature range	-55 °C, +71 °C; -67 °F, +160°F

Mounting

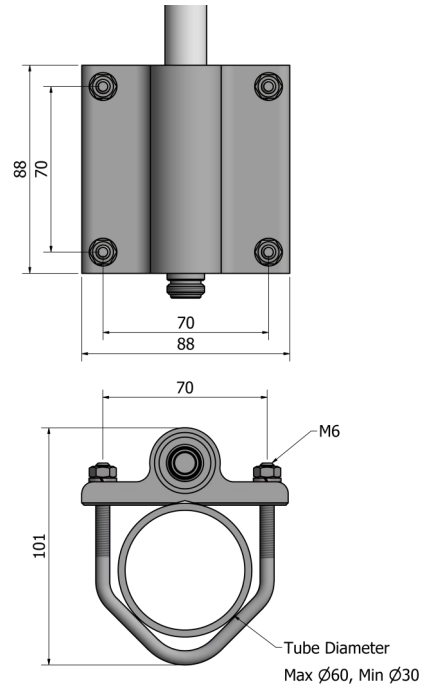
AV62M can be mounted to a bulkhead by means of 4 holes in the aluminum bracket, or to a mast or tube using the supplied stainless steel U-bolts. The U-bolts will accommodate a pole diameter 30-60mm.

Suitable cable: RG58, RG213 or similar

Mounting

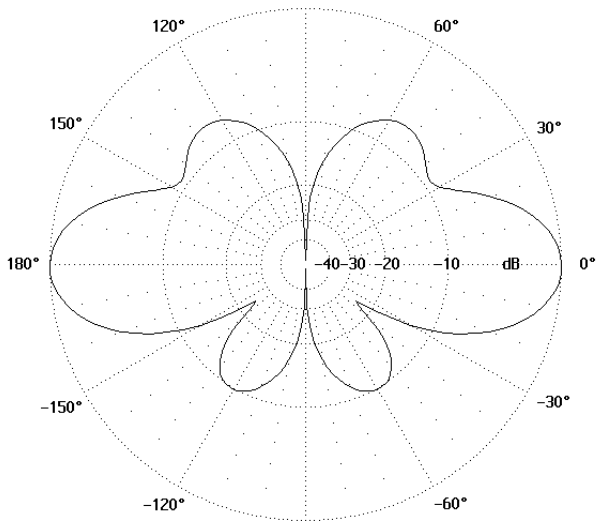


Direct mount to bulkhead
(fixings not supplied)

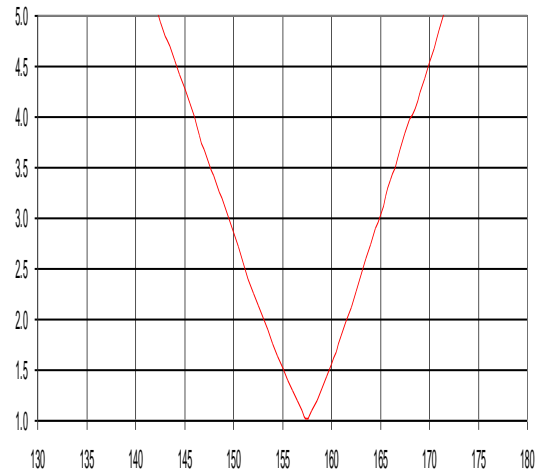


Mast mount using
supplied U-bolts

Patterns



Typical vertical radiation pattern
($f = 156.8\text{MHz}$)



Typical VSWR