

AV64M

AV64P

Application:

The AV64 is a series of high quality antennas designed for marine UHF and Tetra services. It is a high quality antenna with a durable construction and a beautiful finish for installation on all kinds of vessels. The antenna is available with two mounting options.

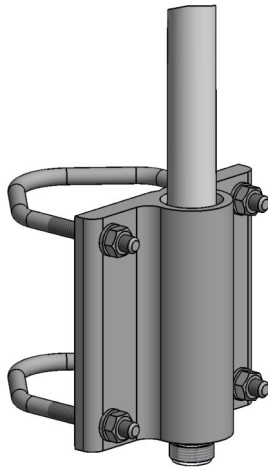
Electrical specifications:

Frequency range	380-480 MHz
VSWR	<2 @ 380-450 MHz <2.5 @ 450-480 MHz
Nominal impedance	50 ohm
Power rating	25 W
Gain	2 dBi
Pattern	Omnidirectional
Polarization	Vertical
Connector	N female

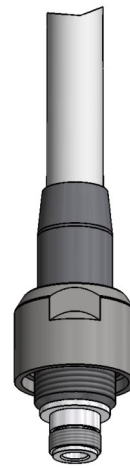
Mechanical specifications:

Design	Centre-fed coaxial dipole. Radiating elements completely enclosed in polyurethane foam within a fiberglass tube.
Height	AV64M - 0.5 m (20 in) AV64P - 0.55 m (22 in)
Weight (approx)	0.5 kg (1.1 lbs)
Wind rating	55 m/s = 125 mph
Water ingress	IP67
Finish	Polyurethane lacquer, white
Temperature range	-55°C, +50°C / -67 °F, +122°F

Antenna Mounting Configurations



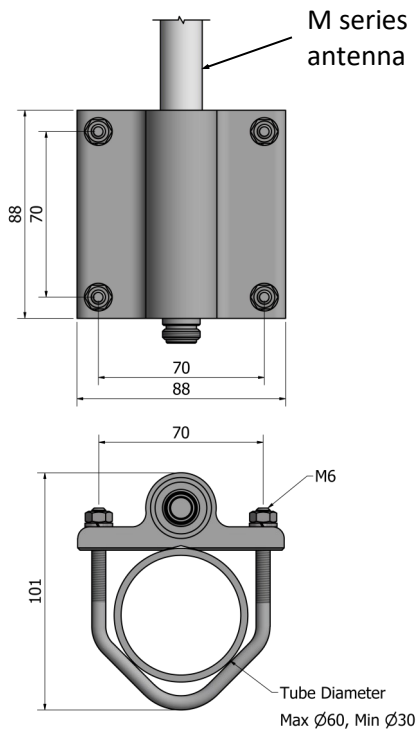
AV64M
Ø30-60mm Pole Mount
Bulkhead Mount



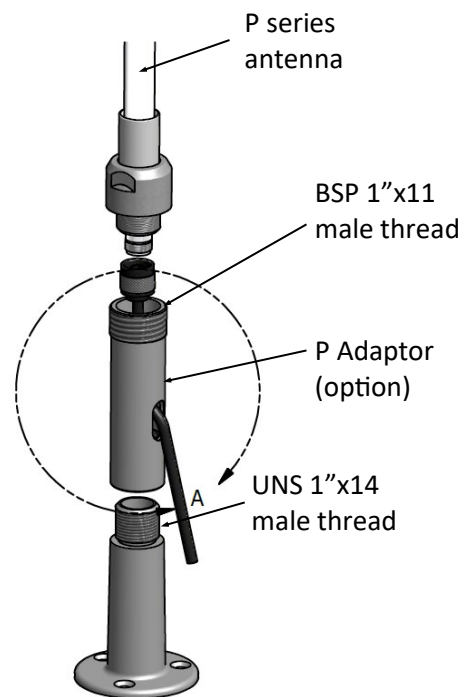
AV64P
BSP 1" x 11 Female Nut
UNS 1" x 14 Male Thread

Mounting Accessories

Comrod has a range of antenna mounting brackets and adaptors for P series and BI series antennas. Please visit Comrod website www.comrod.com for more details or email sales@comrod.com



Mast mount bracket
(standard on AV64M)



Straight mount bracket
(option)