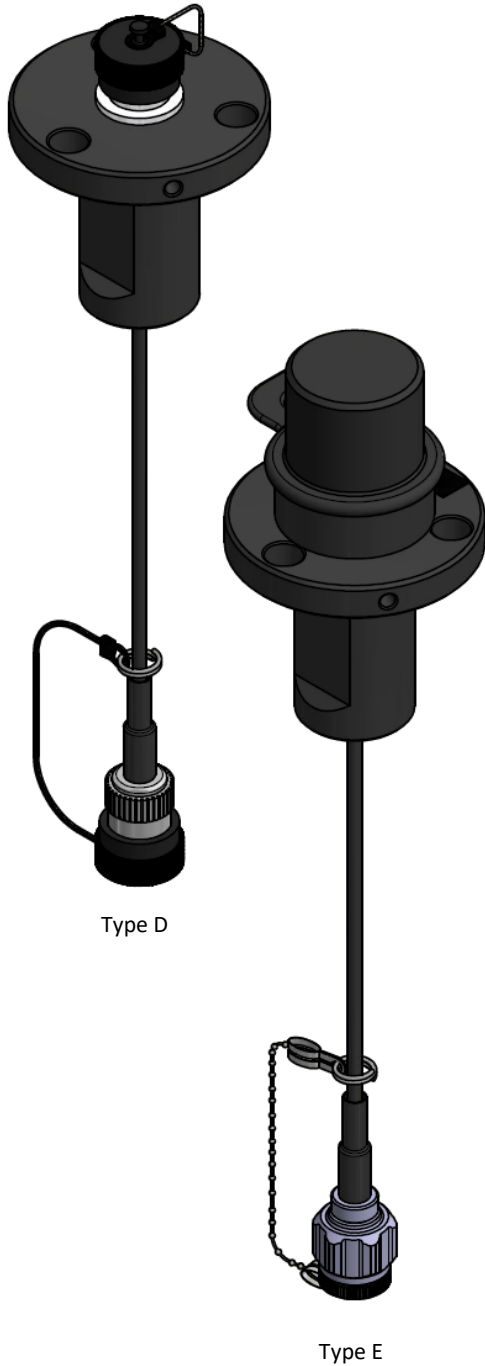
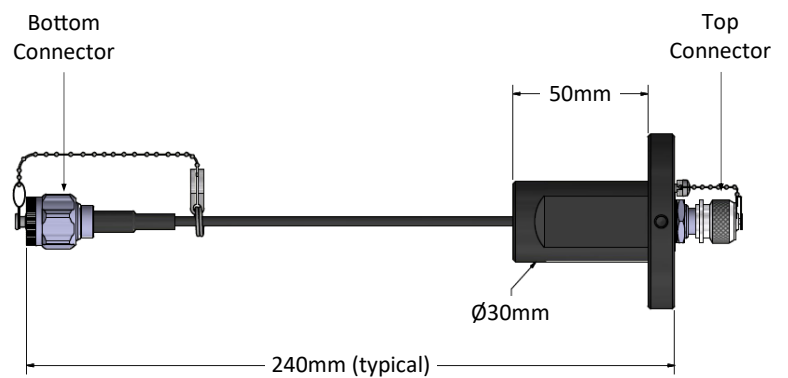


Features:

- Antenna adaptors to fit standard RolaTube top caps with Ø30 socket
- Interfaces between antenna and coaxial cable
- Various top and bottom connector combinations
- VM and CEF top connector versions for mounting standard Comrod dipole antennas



Type	Top Connector	Bottom Connector
A	TNC Female	N Type Male
B	TNC Female	N Type Female
C	N Type Female	N Type Male
D	N Type Female	N Type Female
E	Comrod VM	N Type Male
F	Comrod VM	N Type Female
G	Comrod CEF	N Type Male
H	Comrod CEF	N Type Female



Comrod VM Top Connector



Comrod CEF Top Connector