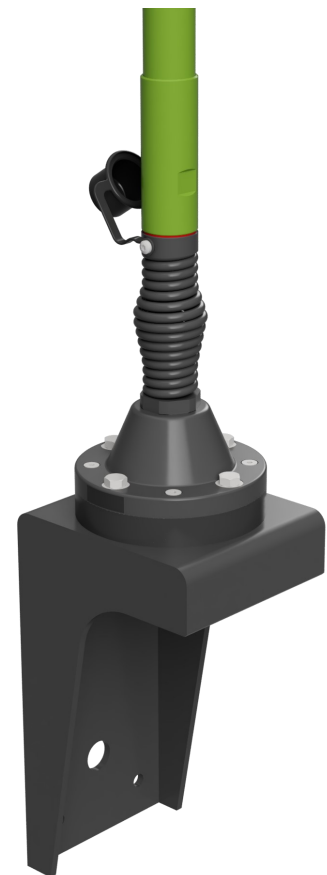
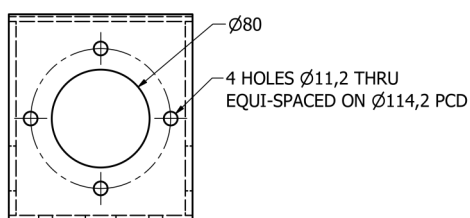
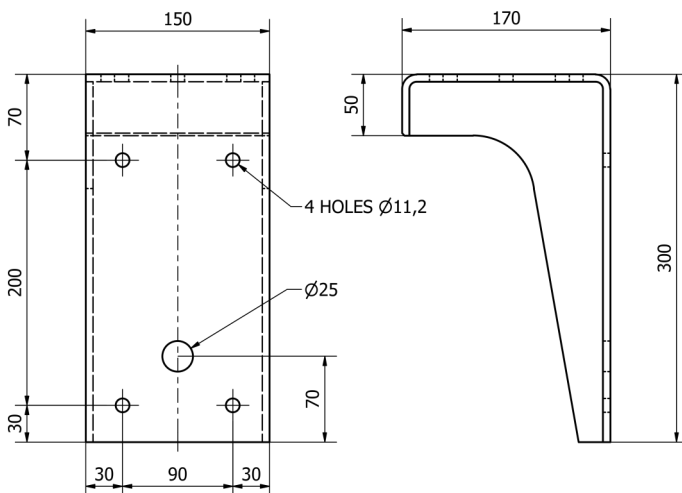




Technical Description

4-hole bracket for mounting NATO standard 4-hole pattern bases onto the side of a vehicle or shelter.

- Aluminium fabricated bracket, plated and painted
- Standard NATO 4-hole pattern (see drawing)
- Suitable for M10 or 3/8" mounting bolts (not supplied)
- 80mm clearance hole for base connector access
- Mounting bolt kits available on request
- Weight 1.6kg



Typical installation shown with Comrod VHF302600TB antenna