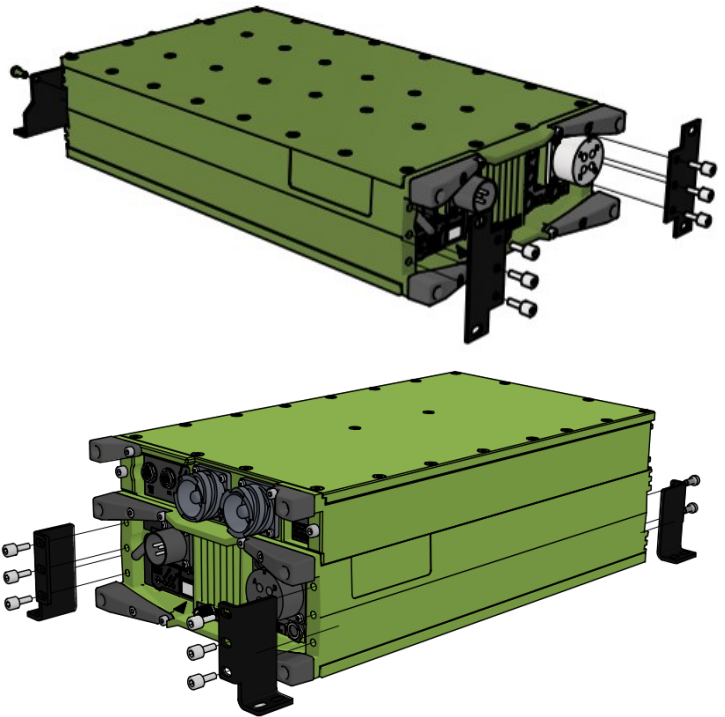


Description

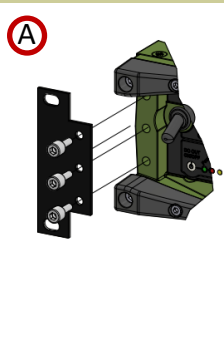
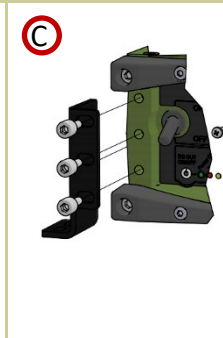
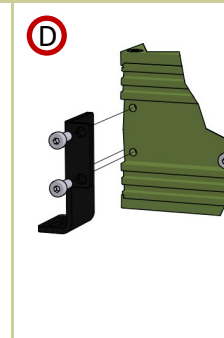
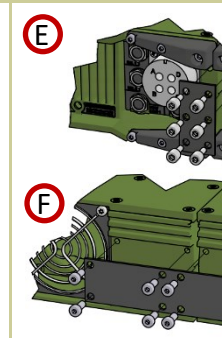
ComPact series power supplies are supplied with common threaded hole locations for a range of standard mounting brackets. Power supplies can be 19 inch rack mounted, shelf or bulkhead mounted using the appropriate brackets kits.



Compatibility

ComPact 1200 AC/DC
ComPact 1500 AC/DC
ComPact 2400 AC/DC
ComPact 2700 AC/DC
ComPact 1200 Dual Input 12V
ComPact 1200 Dual Input 24V
ComPact 1200 Dual Input 36V
ComPact 2000 DC/AC
ComPact 2000 DC/DC

Bracket Kits - ComPact Series Power Supplies

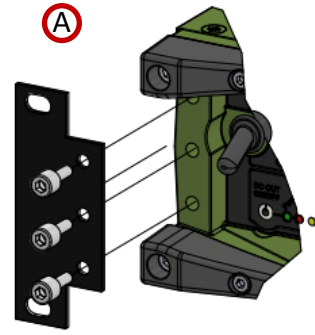
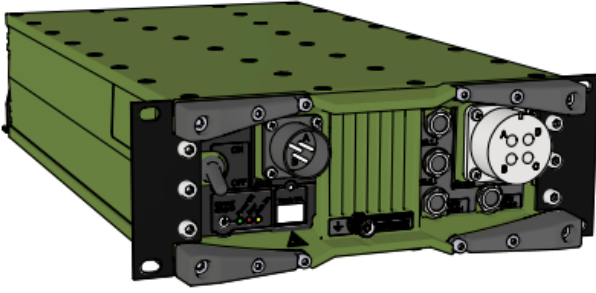
19" Rack Mount Front	Foot Kit Rear	Side Foot Kit Front	Side Foot Kit Rear	Joining Kit
A 	B 	C 	D 	E  F 
Part Number P600360.001	Part Number P600360.010	Part Number P600360.019	Part Number P600360.021	Part Number P600360.002
Contents Qty 2 - 19" Brackets Front	Contents Qty 2 - Rear Foot Qty 4 - M5 x 12 Screws	Contents Qty 1 - Front Side Foot Right Qty 1 - Front Side Foot Left	Contents Qty 1 - Rear Side Foot Right Qty 1 - Rear Side Foot Left Qty 4 - M5 x 12 Screws	Contents Qty 1 - Front Joining Bracket Qty 1 - Rear Joining Bracket Qty 8 - M5 x 12 Screws
ComPact Attachment Qty 6 - M5 x 12 Screws (Supplied with ComPact)	ComPact Attachment Qty 4 - M5 x 12 Screws (Supplied with kit)	ComPact Attachment Qty 6 - M5 x 12 Screws (supplied with ComPact)	ComPact Attachment Qty 4 - M5 x 12 Screws (Supplied with kit)	ComPact Attachment Front Bracket Qty 6 - M5 x 12 Screws (Supplied with ComPact) Rear Bracket Qty 8 - M5 x 12 Screws (Supplied with kit)
Mounting Attachment M6 Screws (not supplied)	Mounting Attachment M5 Screws (not supplied)	Mounting Attachment M5 Screws (not supplied)	Mounting Attachment M5 Screws (not supplied)	Mounting Attachment N/A

General
Brackets are 2mm stainless steel. Surface finish black oxide. RoHS and Reach compliant. Cadmium free.

Notes
Refer to ComPact Interface Drawing - P12D18 for full mounting details and bolt hole dimensions. Drawing can be found on Comrod website at the link below.
<https://www.comrod.com/compactsupport>

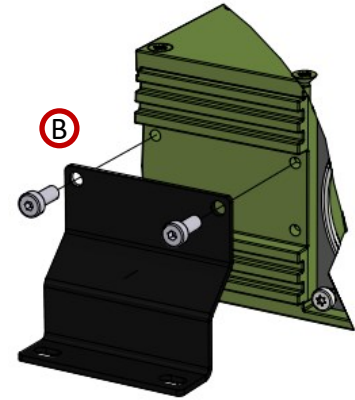
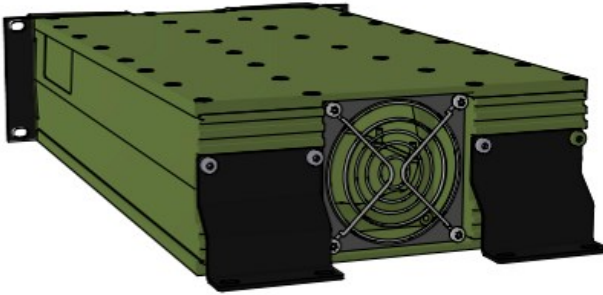
19" Rack Mount Front

Contents - 2 x Brackets
(attach using 6 x M5 screws supplied with ComPact)



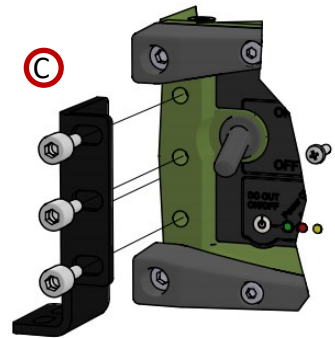
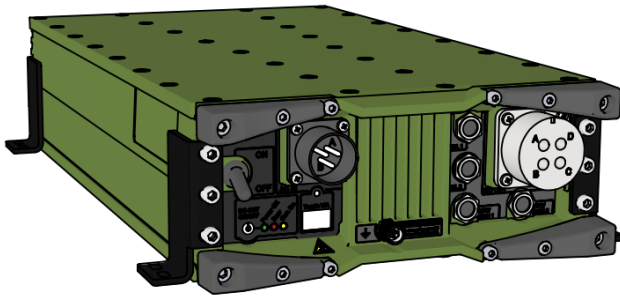
Foot Kit Rear

Contents - 2 x Rear Brackets, 4 x M5 Screws



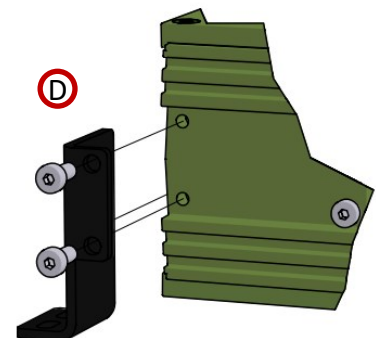
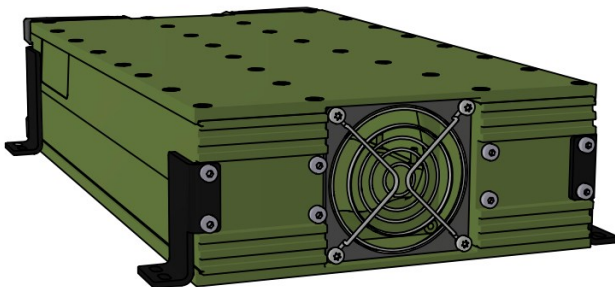
Side Foot Kit Front

Contents - 1 x Front Bracket Right, 1 x Front Bracket Left
(attach using 6 x M5 screws supplied with ComPact)



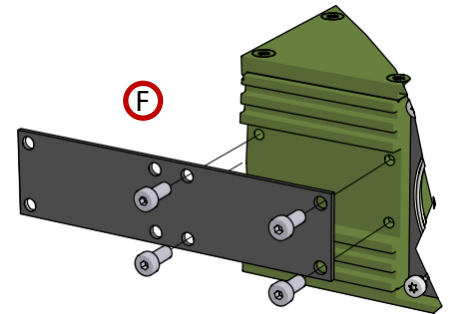
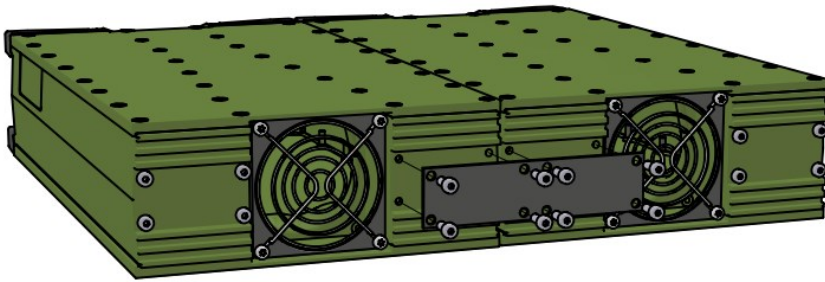
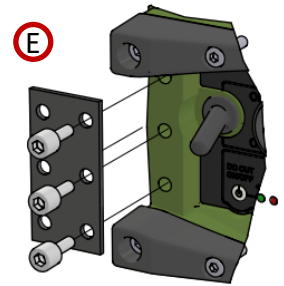
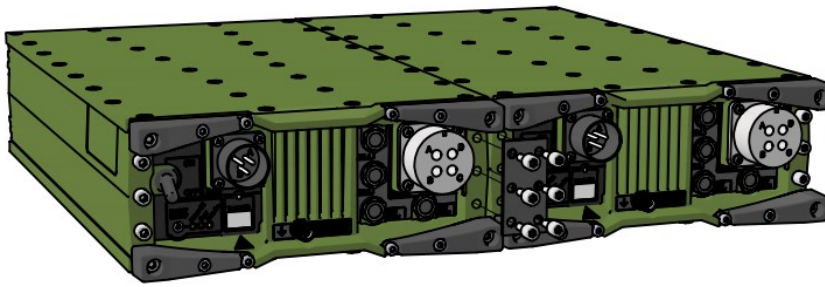
Side Foot Kit Rear

Contents - 1 x Rear Bracket Right, 1 x Rear Bracket Left, 4 x M5 Screws



ComPact Joining Kit

Contents - 1 x Front Bracket, 1 x Rear Bracket, 8 x M5 Rear Screws
(attach front bracket using 6 x M5 screws supplied with ComPact)

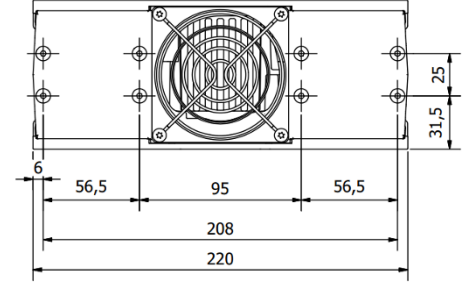
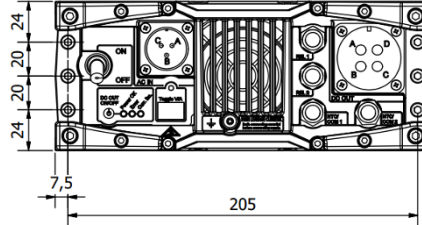


Standard Mounting Positions

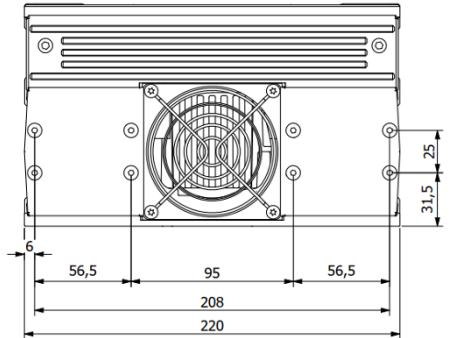
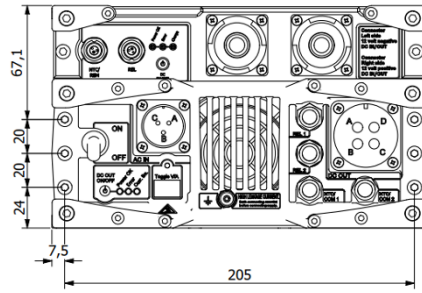
ComPact series products are supplied with M5 female threads for attaching Comrod mounting brackets. Below are the dimensions related to each ComPact series product showing the common mounting thread positions. The thread depth is 10mm.

Please refer to ComPact Interface Drawing - P12D18 for full mounting and bolt hole details. Drawing can be found on Comrod website at the link <https://www.comrod.com/compactsupport>

ComPact 1200 AC/DC
 ComPact 1500 AC/DC
 ComPact 2400 AC/DC
 ComPact 2700 AC/DC



ComPact 1200 Dual Input 12V
 ComPact 1200 Dual Input 24V
 ComPact 1200 Dual Input 36V



ComPact 2000 AC/DC
 ComPact 2000 DC/DC

