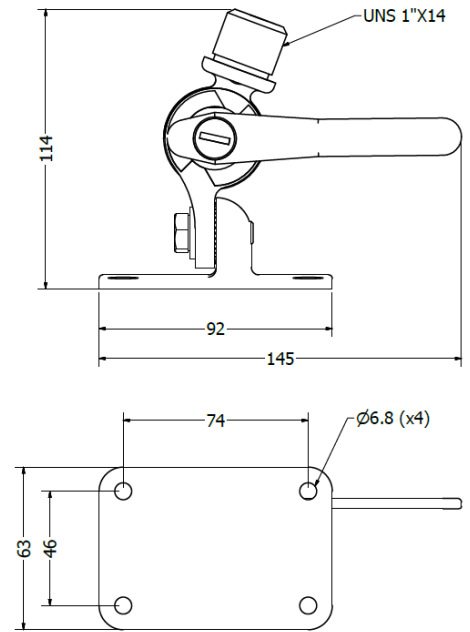
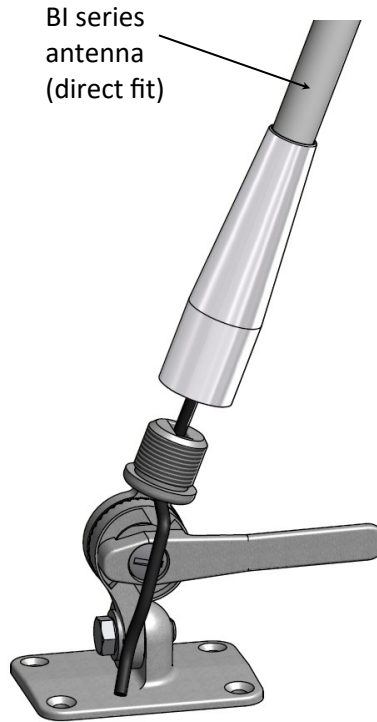
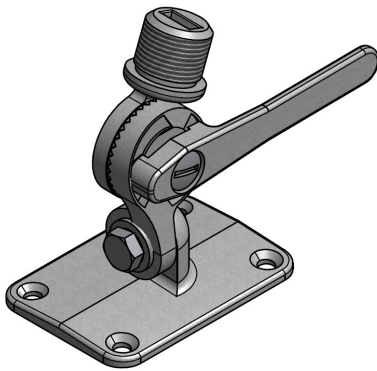


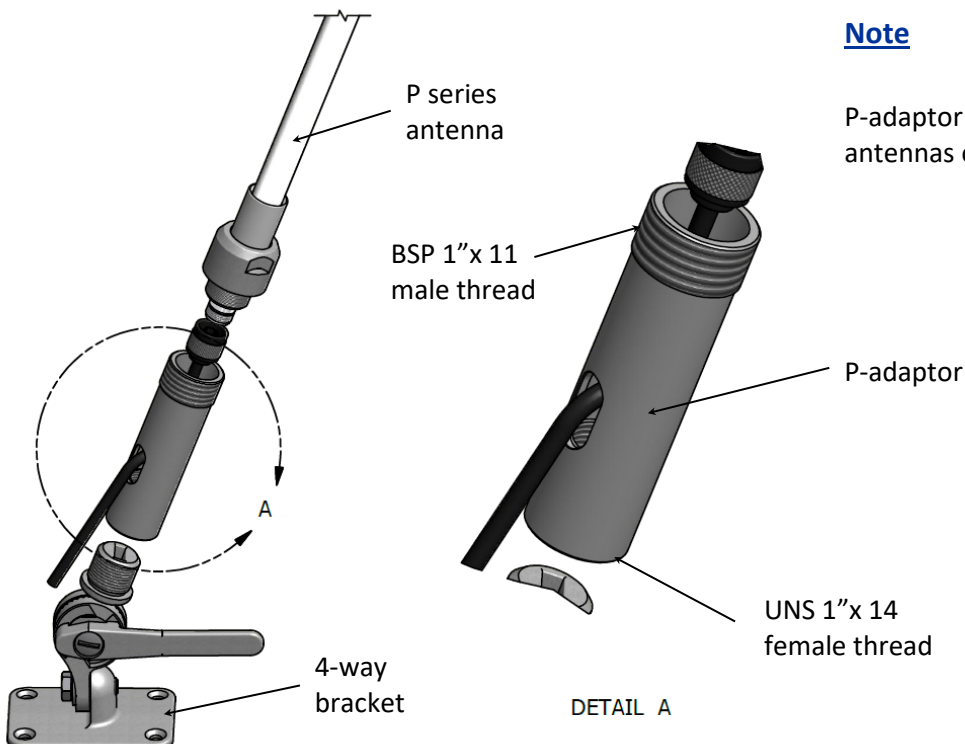
4-Way Bracket

- Stainless steel
- Deck or side mounting.
- Suitable for use with all -BI antennas.
- Suitable for use with -P antennas with P-adaptor (see below).
- Standard UNS 1"x 14 threads.
- Ref. no. 014965



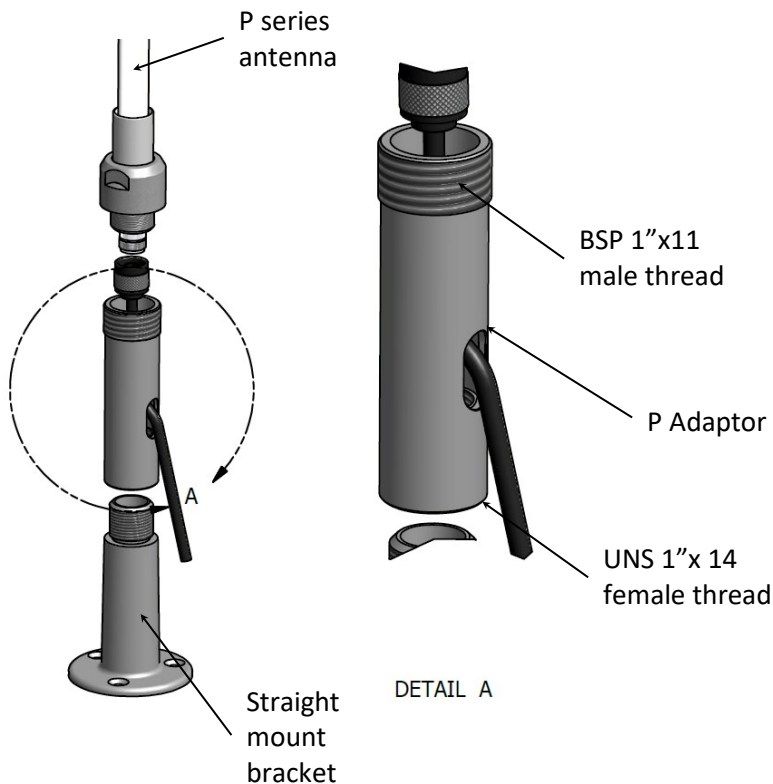
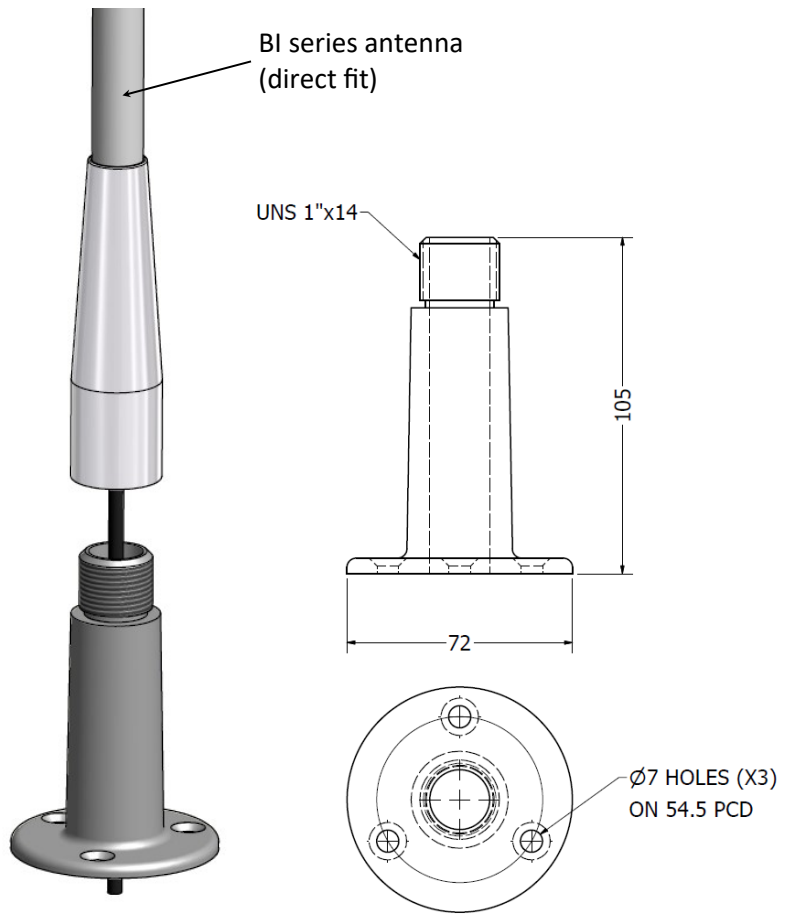
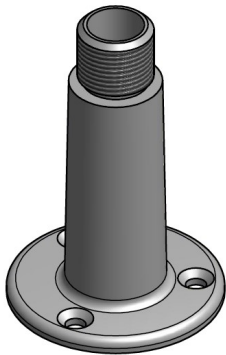
Note

P-adaptor is required when mounting P series antennas onto the 4-way bracket



Straight-Mount Bracket

- Stainless steel
- Deck mounting.
- Suitable for use with all -BI antennas.
- Suitable for use with -P antennas with P-adaptor (see below).
- Standard UNS 1"x14 threads.
- Ref. no. 014985



Note

P-adaptor is required when mounting P series antennas onto the straight mount bracket