



### Features

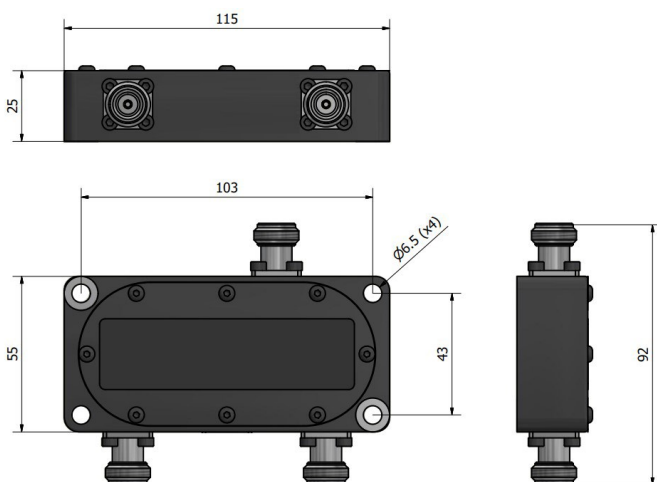
- Combine two transceivers into one antenna
- UHF SATCOM 243-380 MHz covers:
  - MUOS 300-320/360-380 MHz
  - Legacy Waveform 292-318/243-270 MHz
- Low loss

### Electrical specification

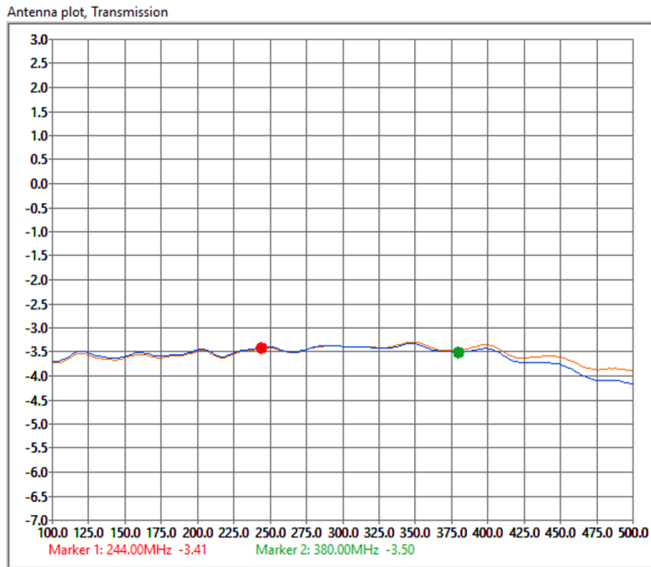
Frequency range	243-380 MHz
VSWR	< 1.5
Nominal impedance	50 Ohm
Power rating	2 x 50 W CW
Isolation P1 to P2	< -17 dB over frequency range < -20 average (measured with 50 ohm load)
In band loss	-3.7 dB max
Connectors	3 x N Type female

### Mechanical specification

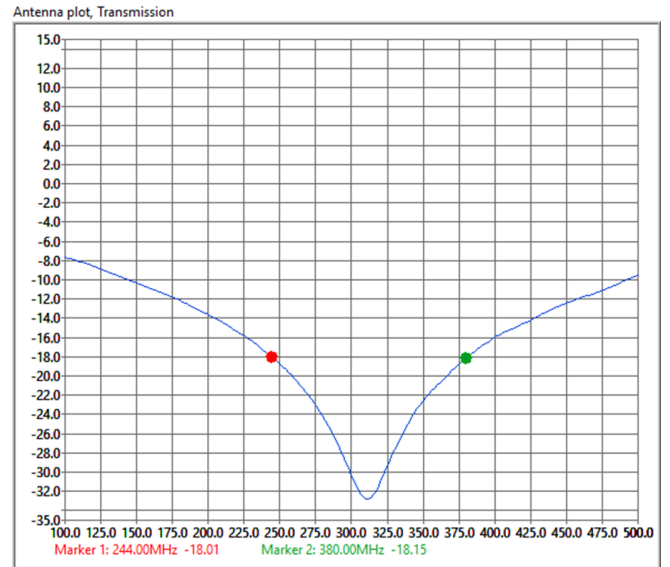
Design	Aluminum housing
Dimensions housing	115 x 55 x 25 mm
Dimension overall	115 x 92 x 25 mm
Weight	0.46 kg
Temperature	-55°C to +71°C, -67°F to +160°F



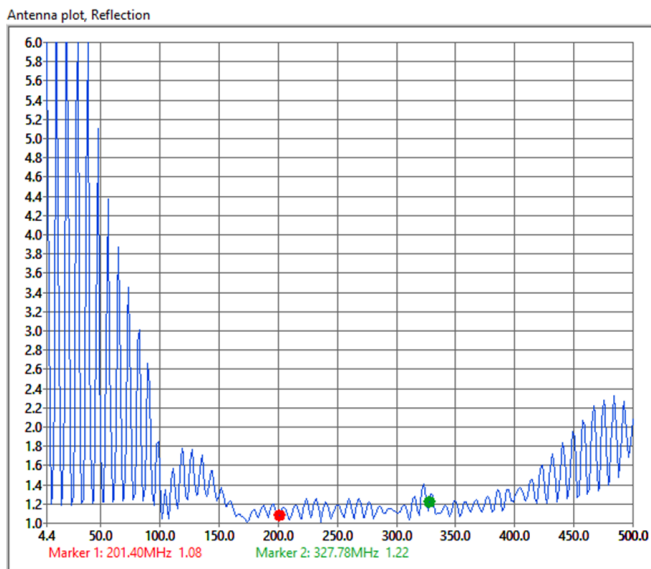
# VSWR, Isolation & Insertion Loss



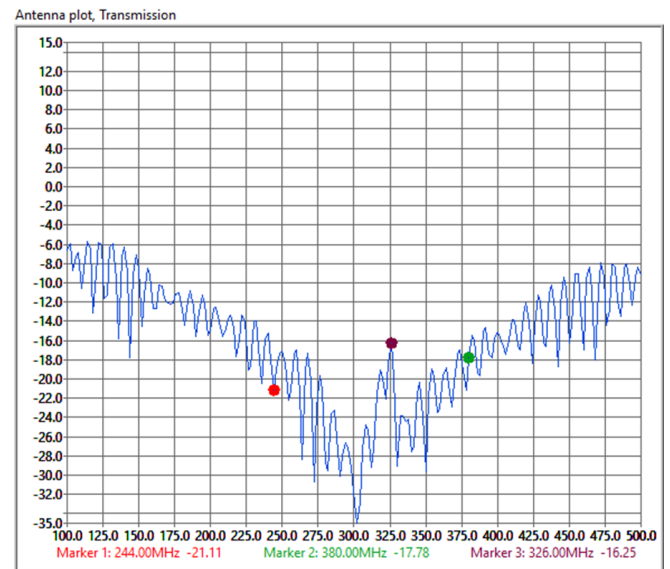
Insertion loss - P1 and P2 to Common Port



Isolation - P1 to P2, 50 ohms on Common Port



VSWR on P1 connected to Comrod UHF243380S antenna through 13m of LMR400 coaxial cable (P2 will be similar)



Isolation Port 1 to Port 2 connected to Comrod UHF243380S antenna through 13m of LMR400 coaxial cable