

### Description

DC Output cables are used to connect a ComCompact series power supply to the load. Cable lengths and connector combinations are available to suite the customer requirement. Open-end cables are also available. See table below for standard cable/connector combinations.

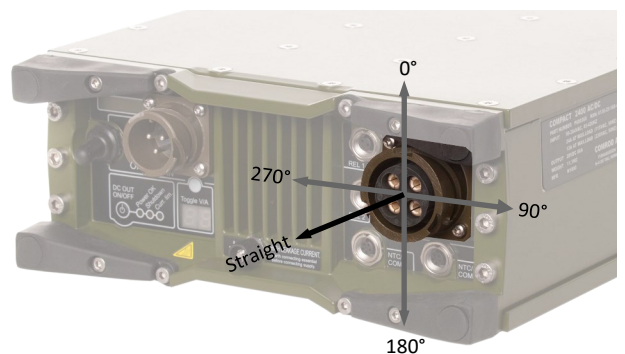
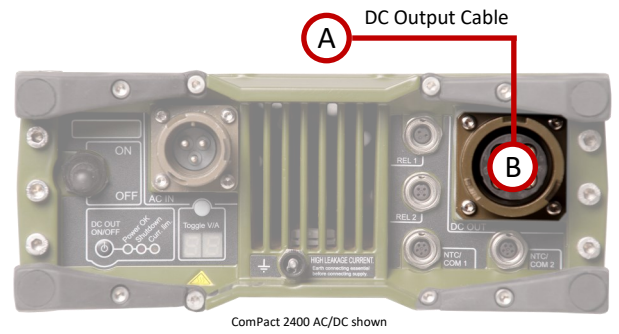
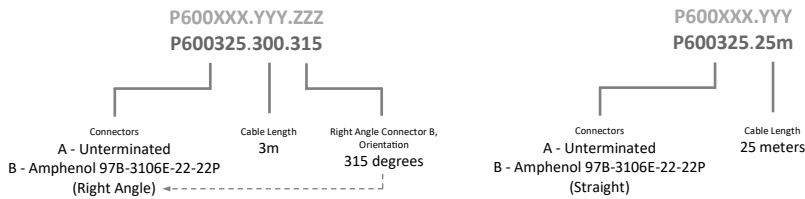
### Part Number Configuration - P600XXX.YYY.ZZZ

XXX = connector configuration (see table for options)




YYY = cable length in cm (300 = 3m). For lengths longer than 10 meters use two digits followed by meters unit m, i.e. a 25 meter cable will have suffix 25m

ZZZ = Right angled connector orientation in degrees.  
Omit ".ZZZ" to order straight connector.

### Examples



Cable Orientation  
Right angle connector - specify angle (ZZZ)  
Straight connector - no specific orientation

ComCompact 1200 and 1500		ComCompact 2400, 2400 48V, 2700, and all Dual Input variants	
	Straight	Right Angle	
			
	Part Number P600314.YYY	Part Number P600314.YYY.ZZZ	Part Number P600325.YYY
	Standard Lengths P600314.300 - 3m P600314.400 - 4m	Standard Lengths	Standard Lengths P600325.300 - 3m P600325.400 - 4m
<b>A</b>	DC Load Connector Open-end (no connector)	DC Load Connector Open-end (no connector)	DC Load Connector Open-end (no connector)
<b>B</b>	DC Output Connector Canon MS3106E22-2P or similar, Straight or Right Angle	DC Output Connector Amphenol 97B-3106E-22-22P or similar, Straight or Right Angle	DC Output Connector Amphenol 97B-3106E-22-22P or similar, Straight or Right Angle
	General Cable: TWINFLEX 2x10mm <sup>2</sup> red/black or red/blue Assembly: ROHS and Cadmium free		General Cable: TWINFLEX 2x16mm <sup>2</sup> red/black or red/blue Assembly: ROHS and Cadmium free