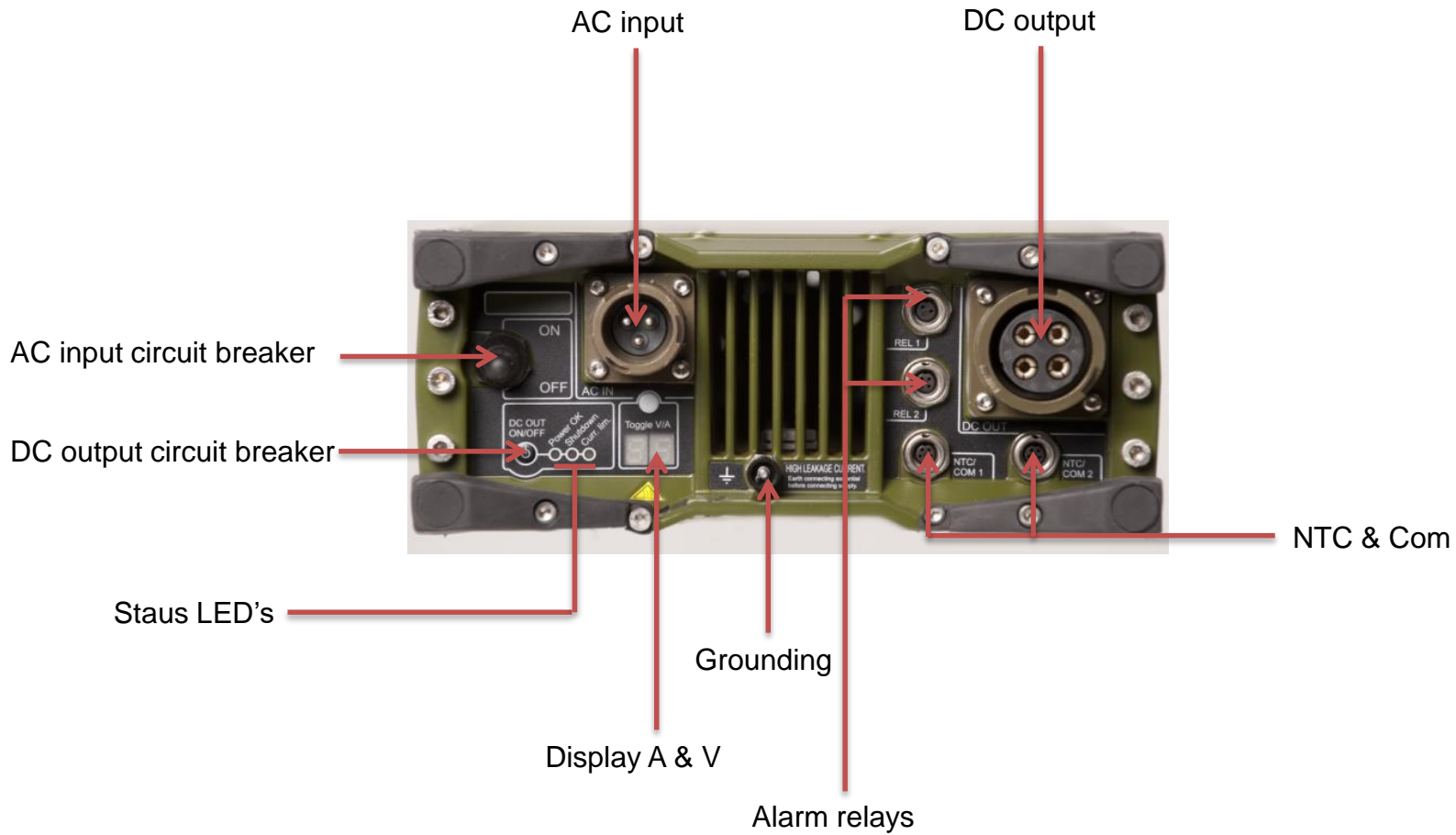


# ComPact Power Supply Configurations

- ComPact 2400 AC/DC
- ComPact 1200 Dual Input

# ComPact 2400 AC/DC



## One unit working as power supply

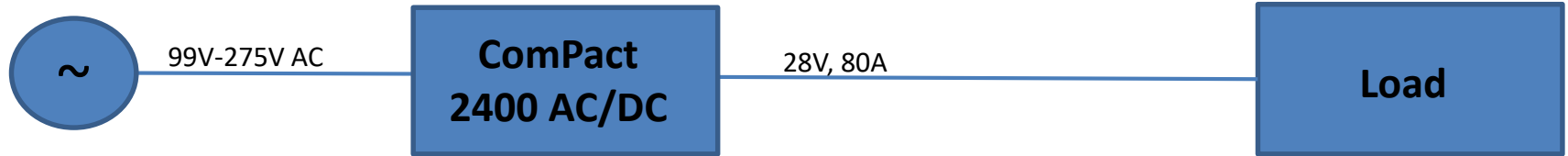
AC input



Ground

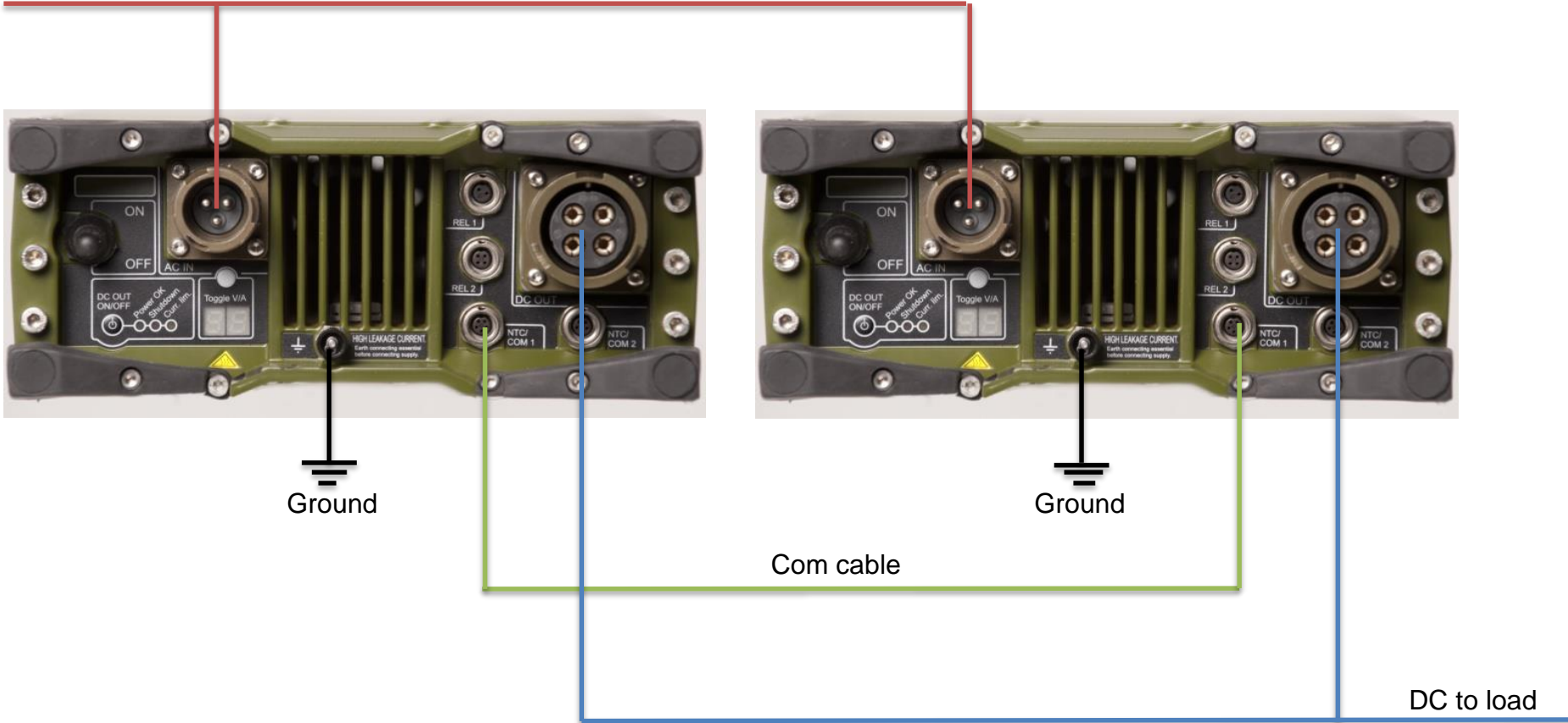
DC to load

## One unit working as power supply

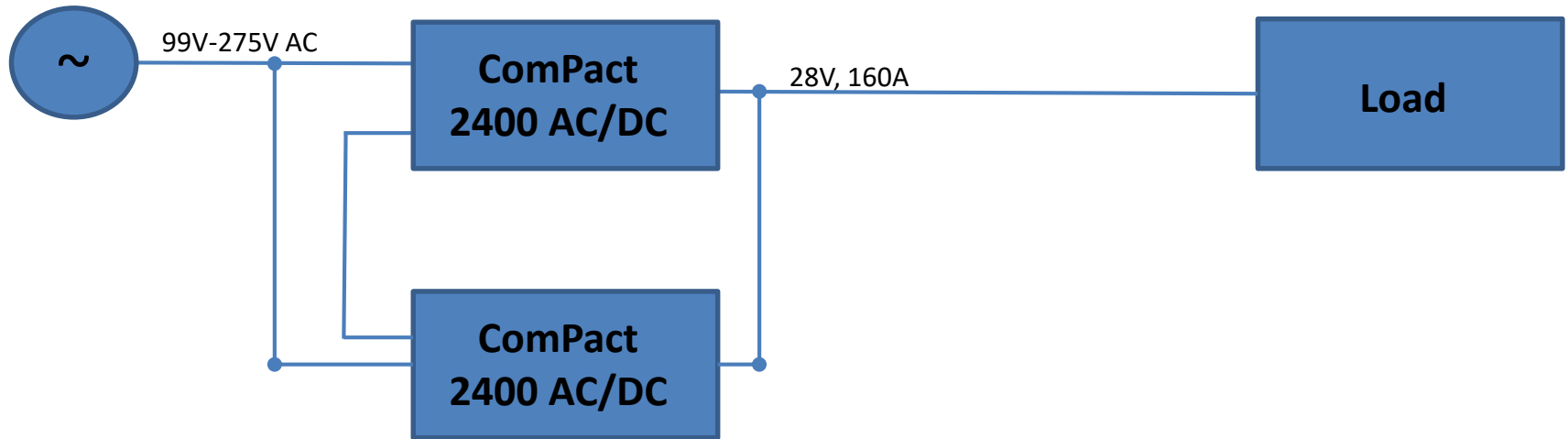


## Two units working in parallel as power supplies

AC input



## Two units working in parallel as power supplies



## One unit working as battery charger

AC input

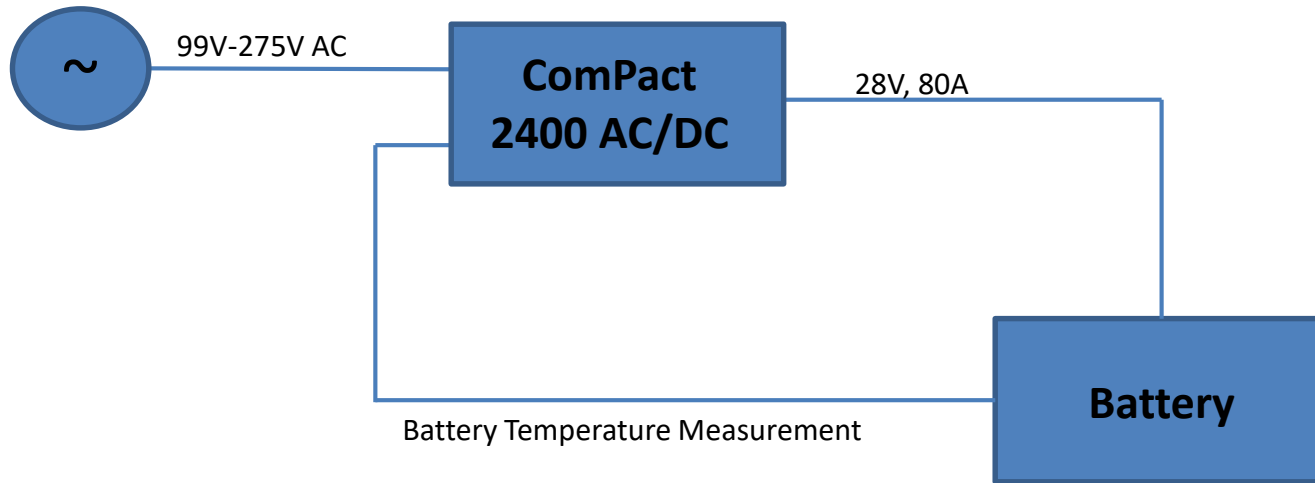


Ground

NTC to battery

DC to battery

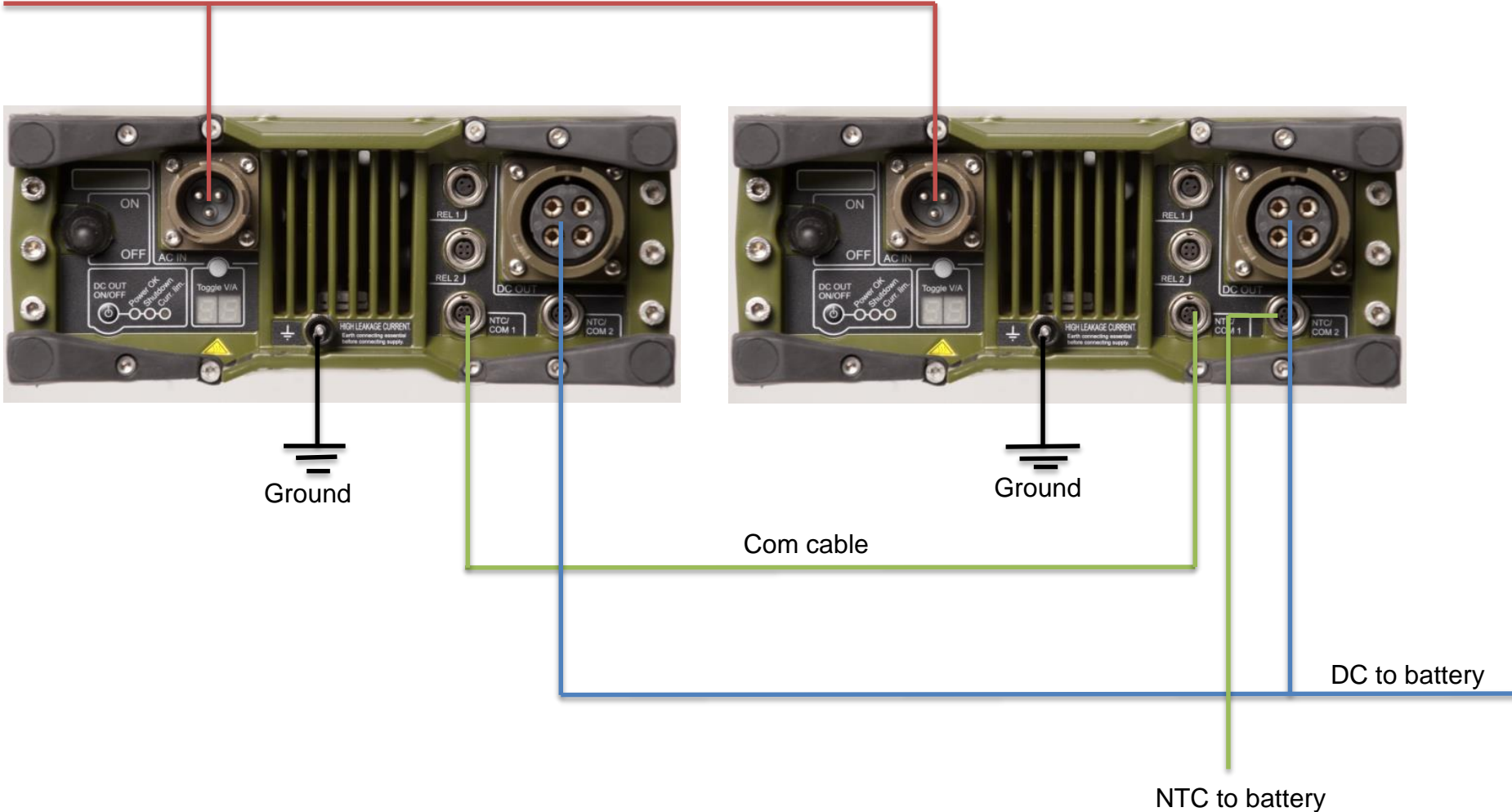
## One unit working as battery charger



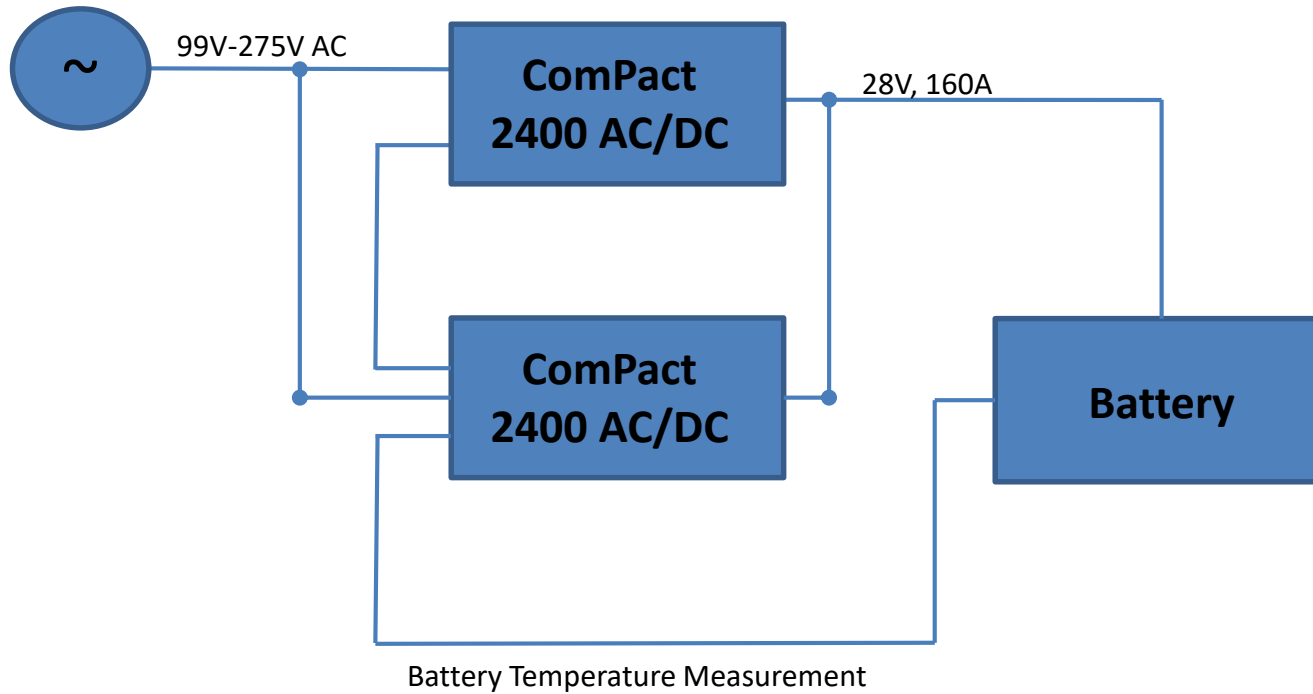


## Two units working in parallel as battery chargers

AC input



## Two units working in parallel as battery chargers



## One unit working as combined battery charger and power supply

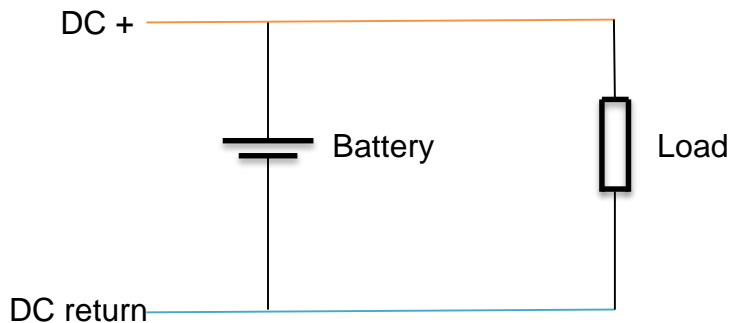
AC input



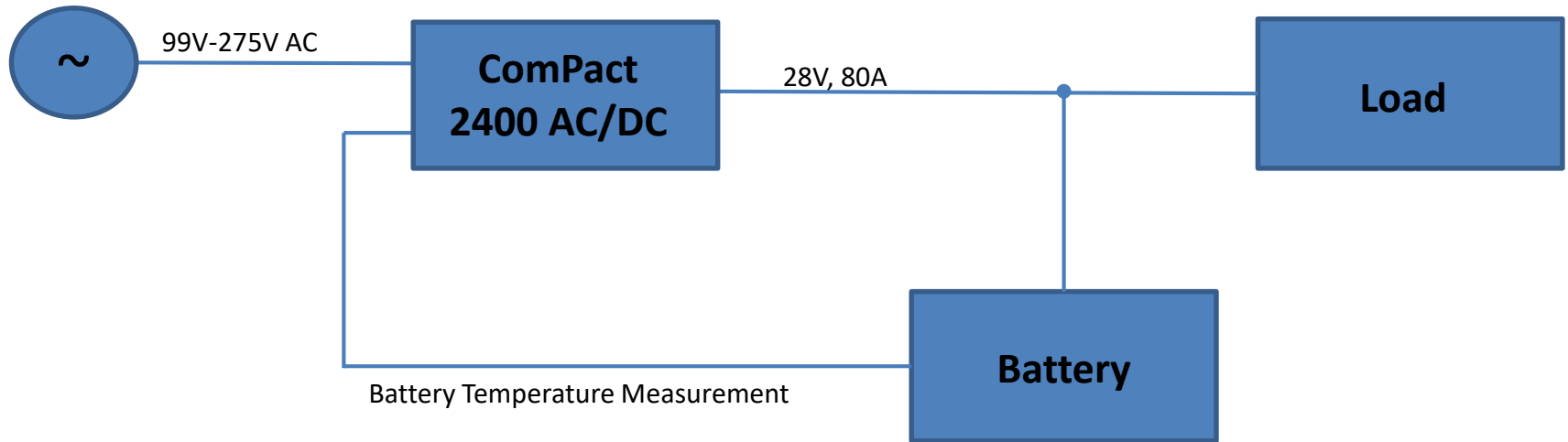
Ground

NTC to battery

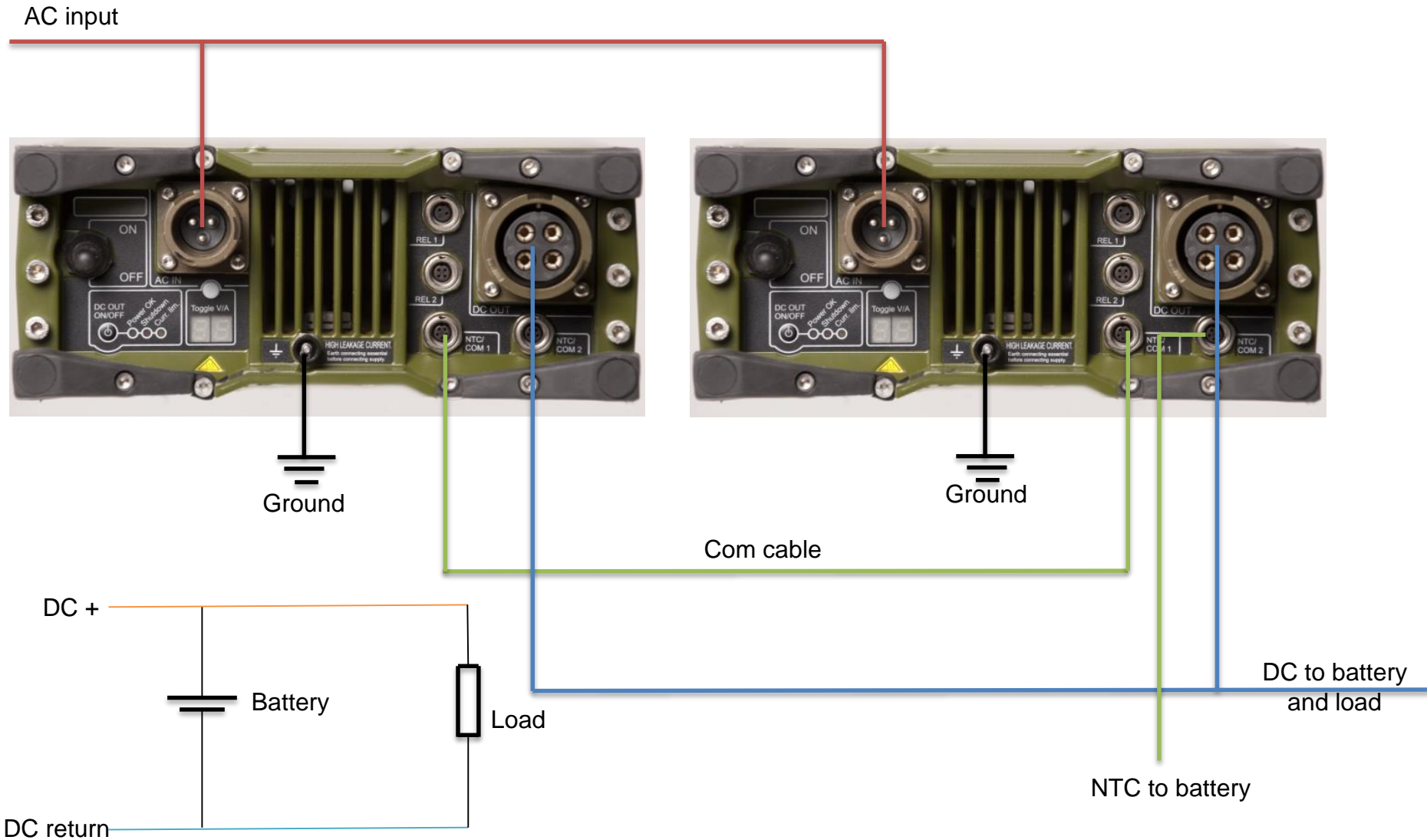
DC to battery and load



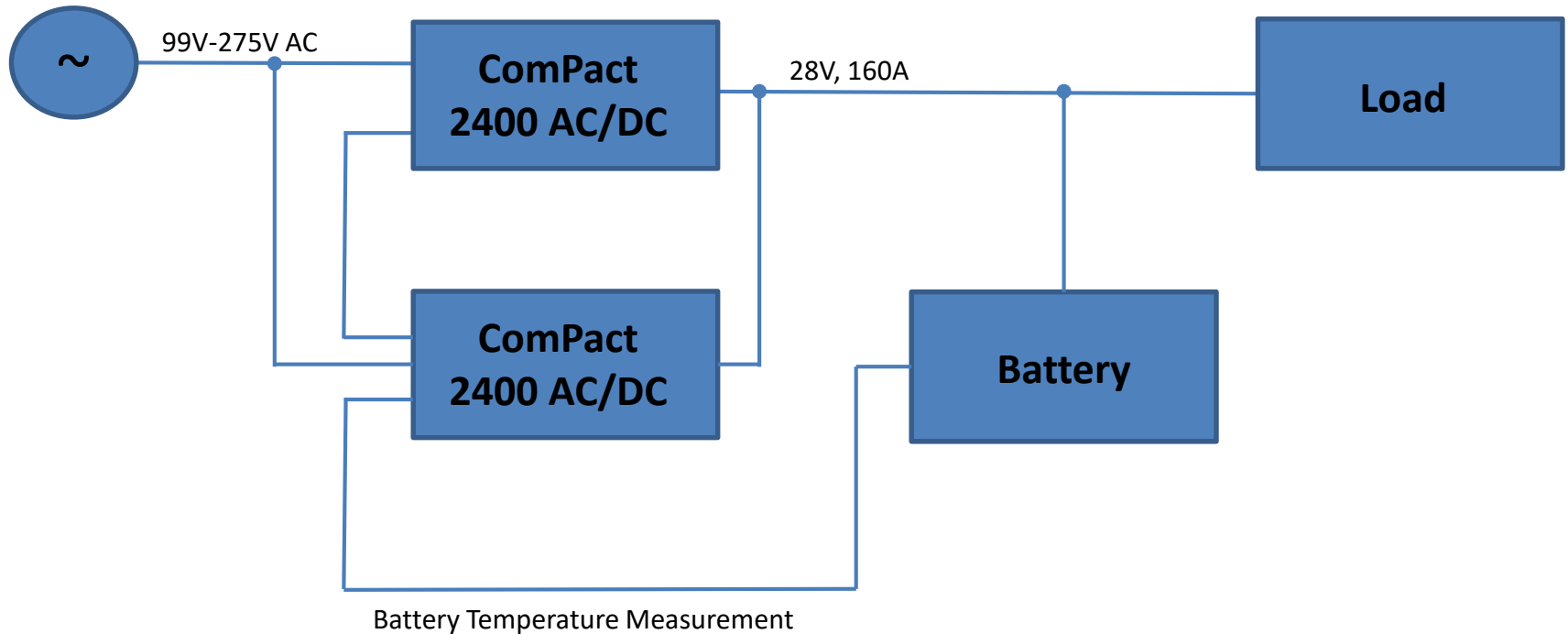
## One unit working as combined battery charger and power supply



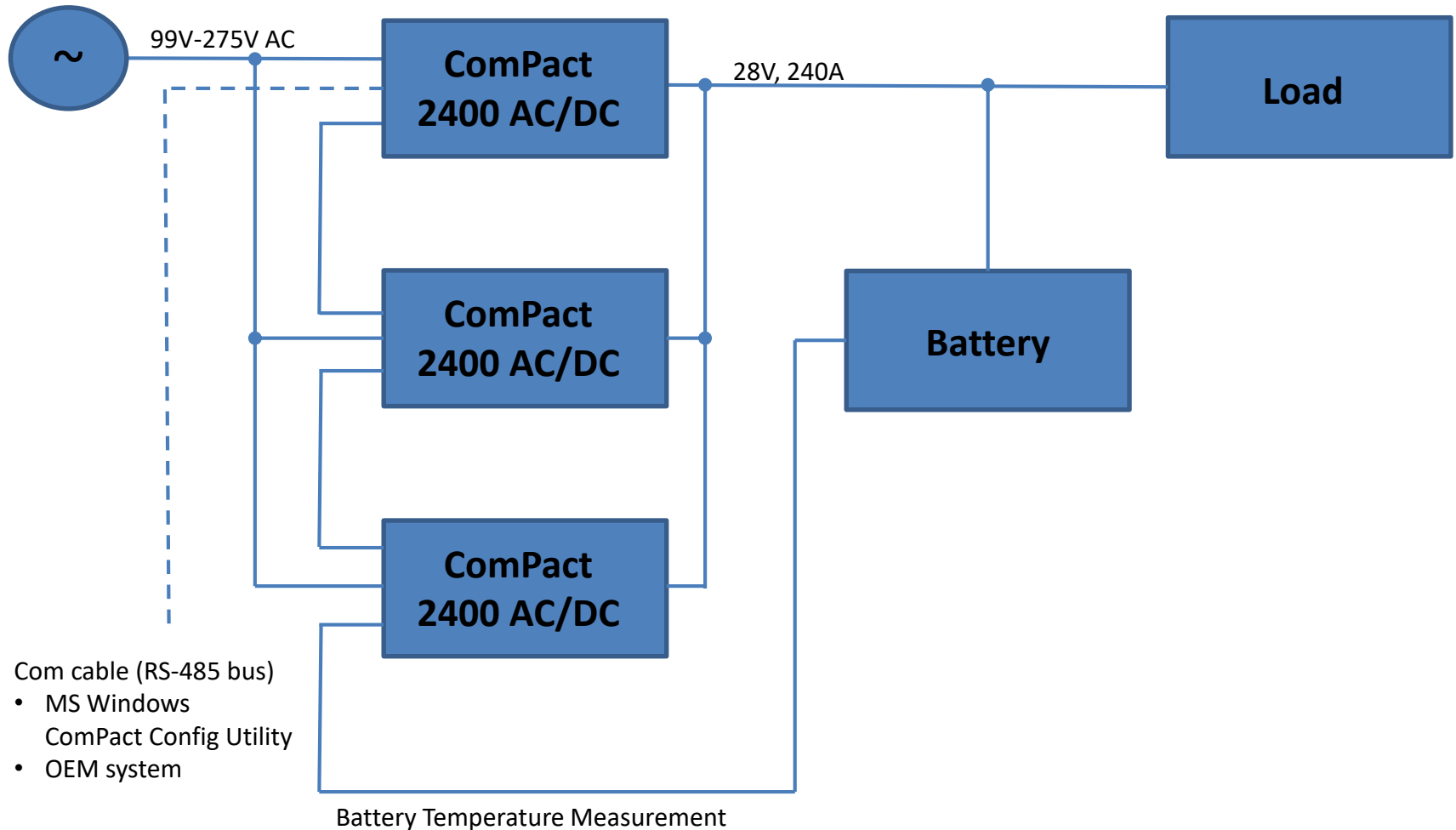
## Two units working as combined battery charger and power supply



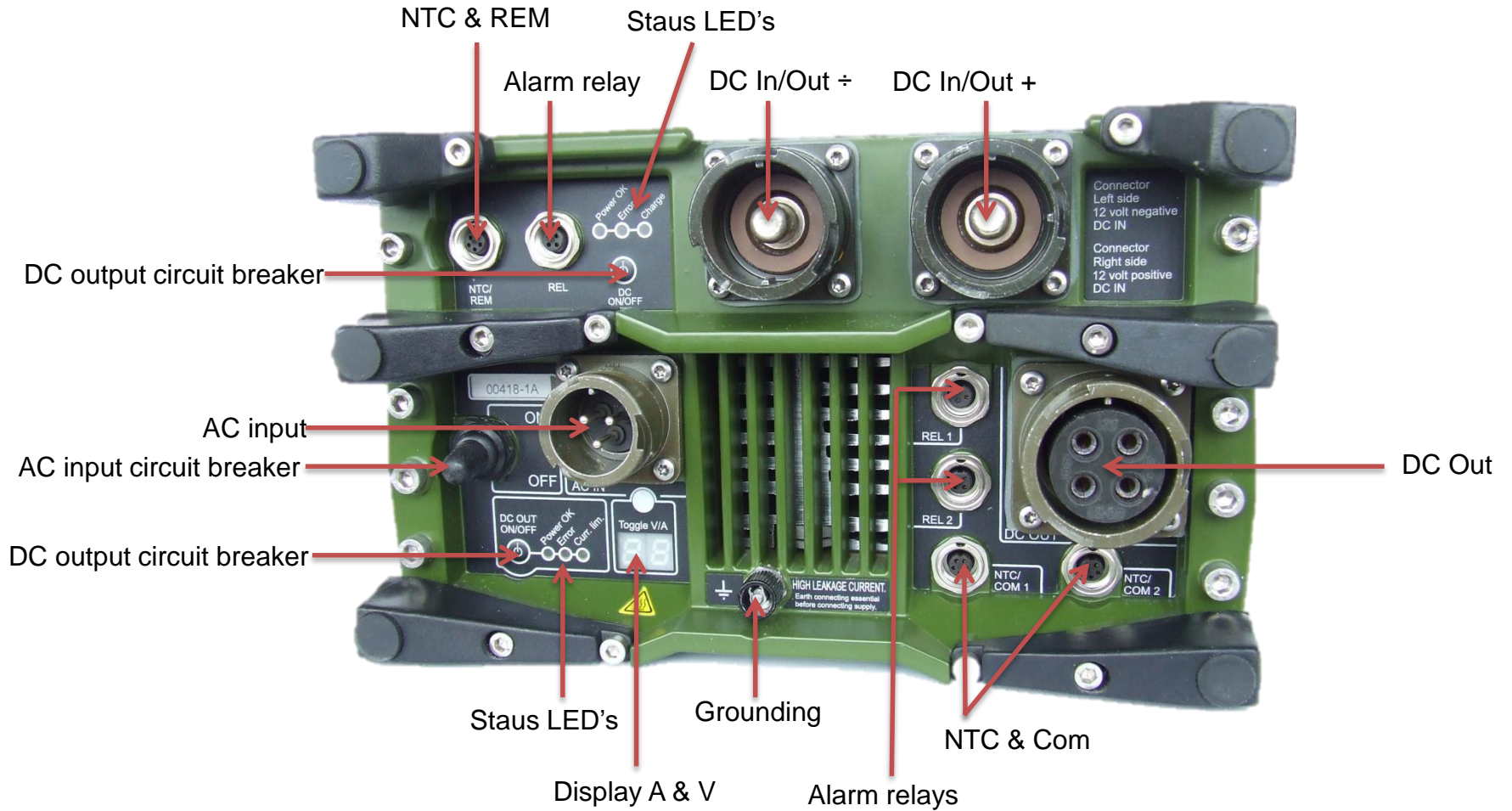
## Two units working as combined battery charger and power supply



Three units working as combined battery charger and power supply with communication for configuration of parameters and settings (option)

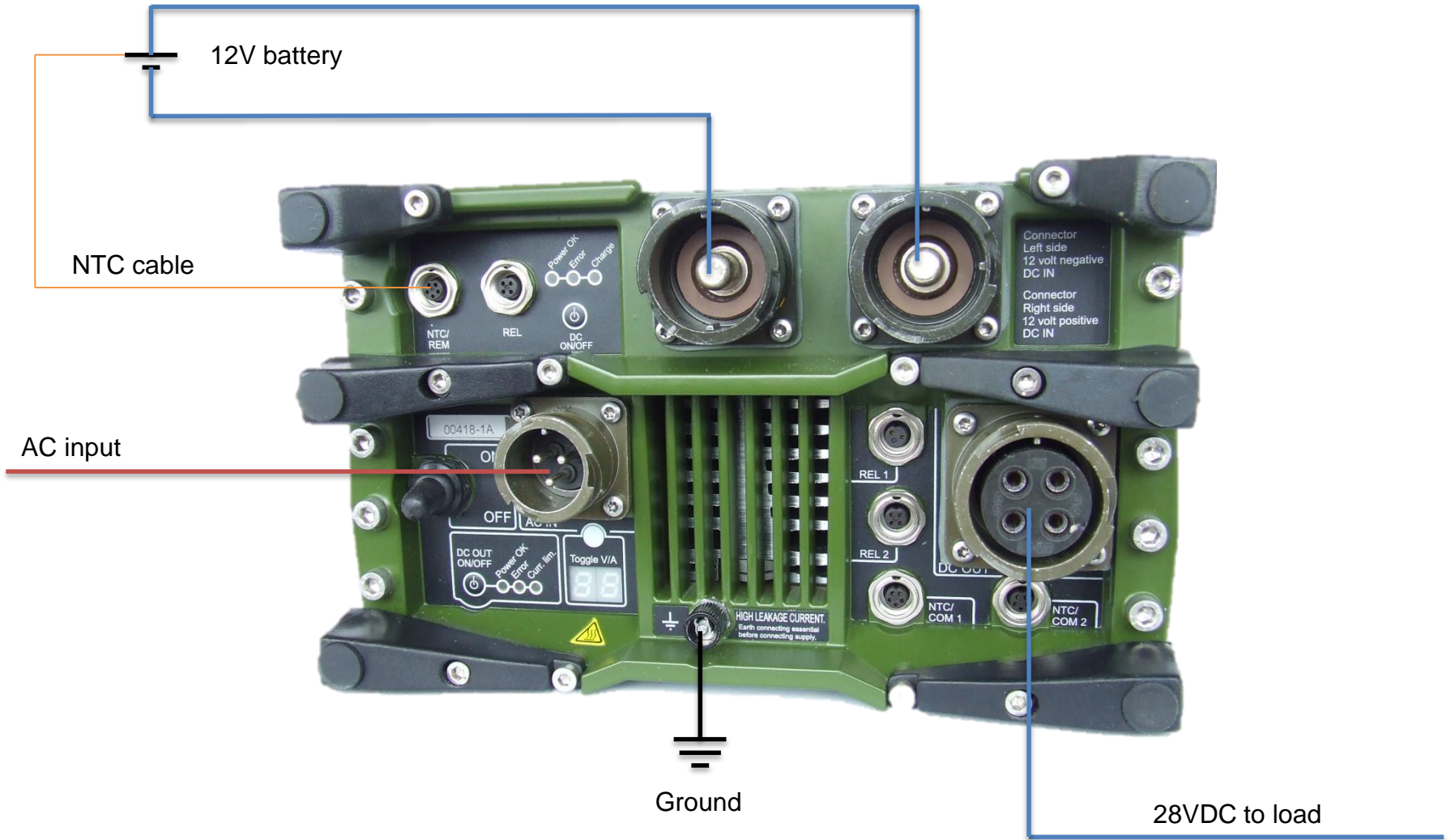


## ComPact 1200 DI 12V & 24V



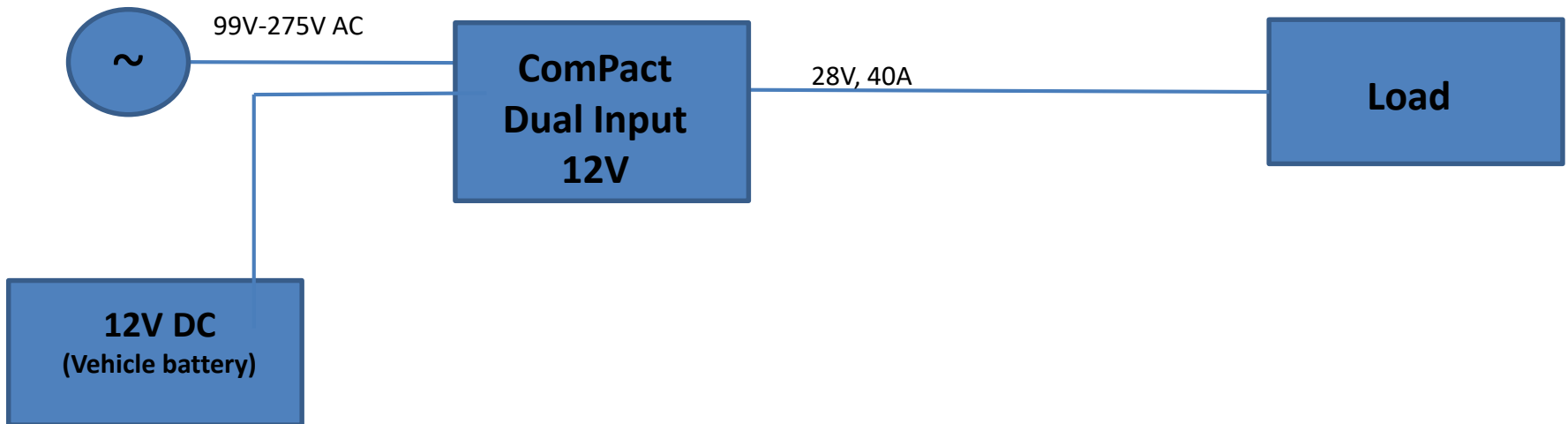


## ComPact 1200 DI 12V running on AC Charging 12V battery and delivering 28V DC to load



## ComPact 1200 DI 12V running on AC

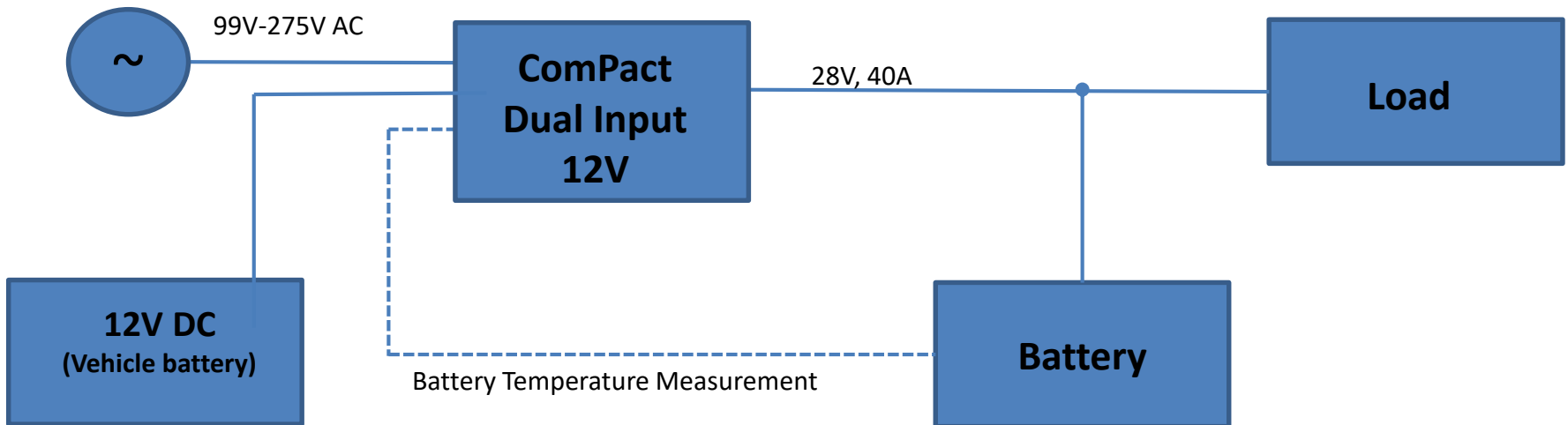
Charging 12V battery and delivering 28V DC to load





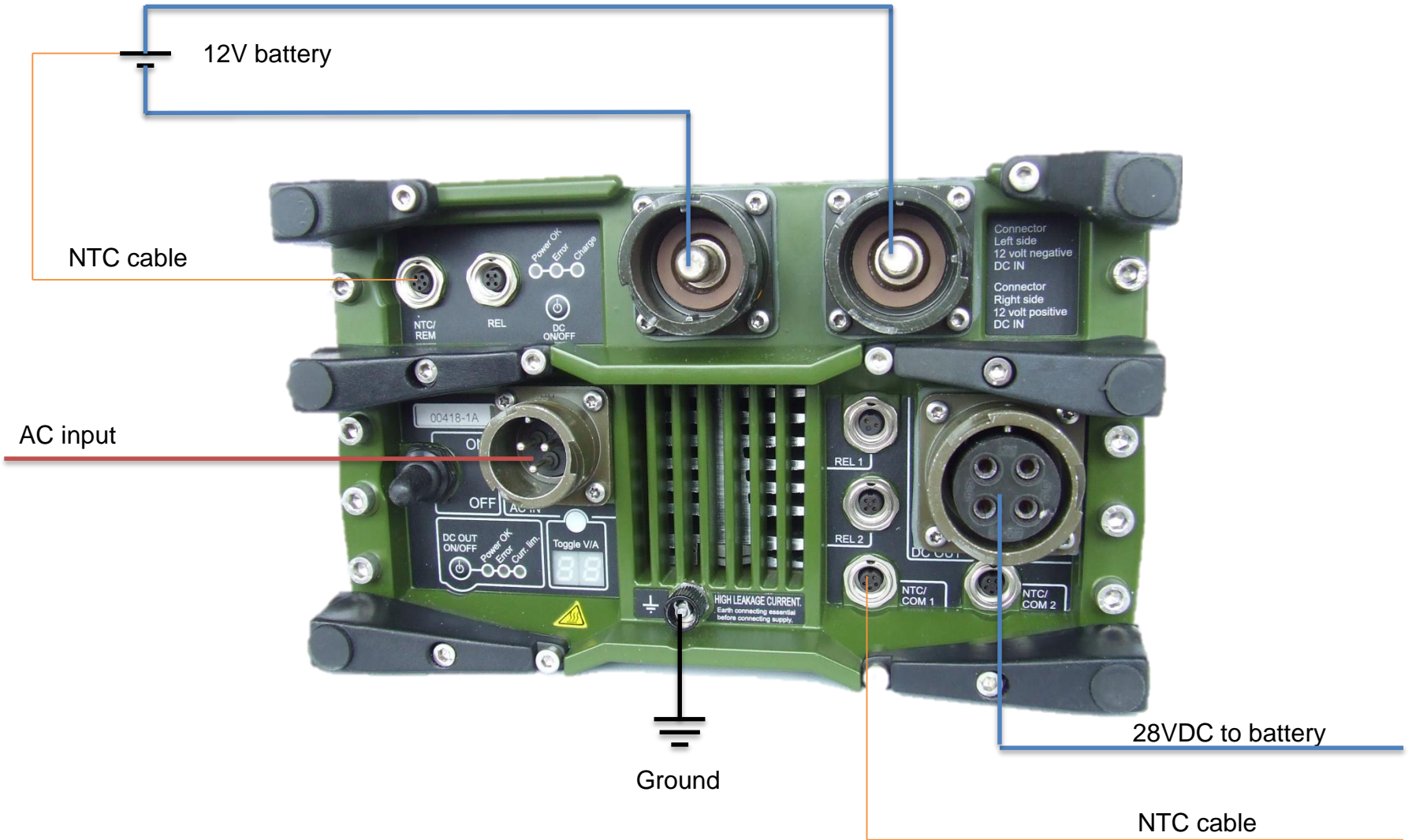
## ComPact 1200 DI 12V running on AC

Charging 12V and 28V batteries, and delivering 28VDC to load

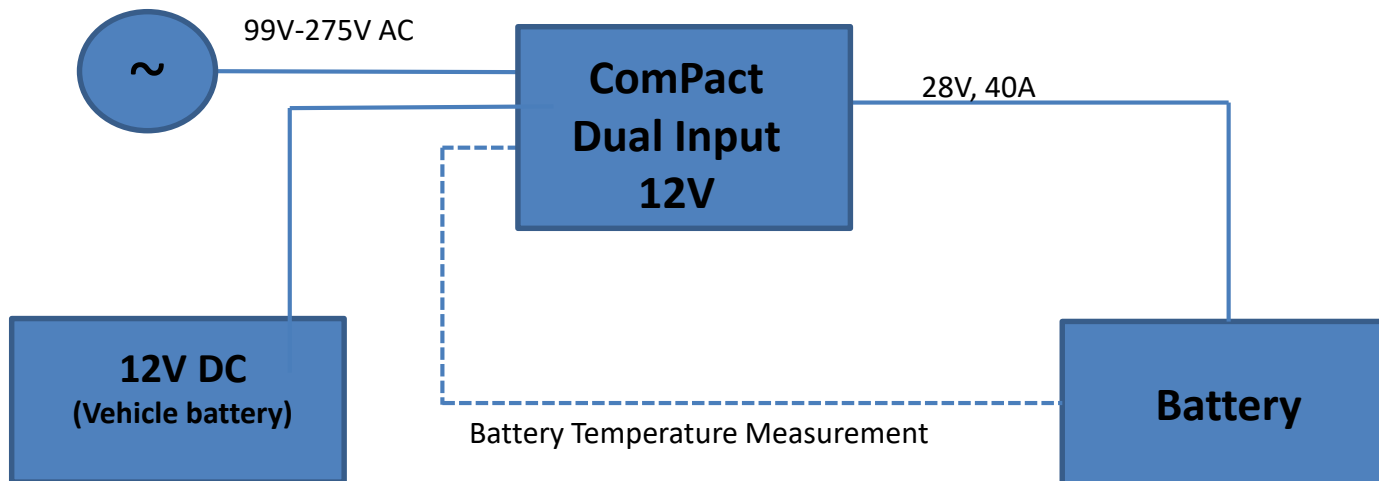


# ComCompact 1200 DI 12V running on AC

## Charging 12V and 28V batteries



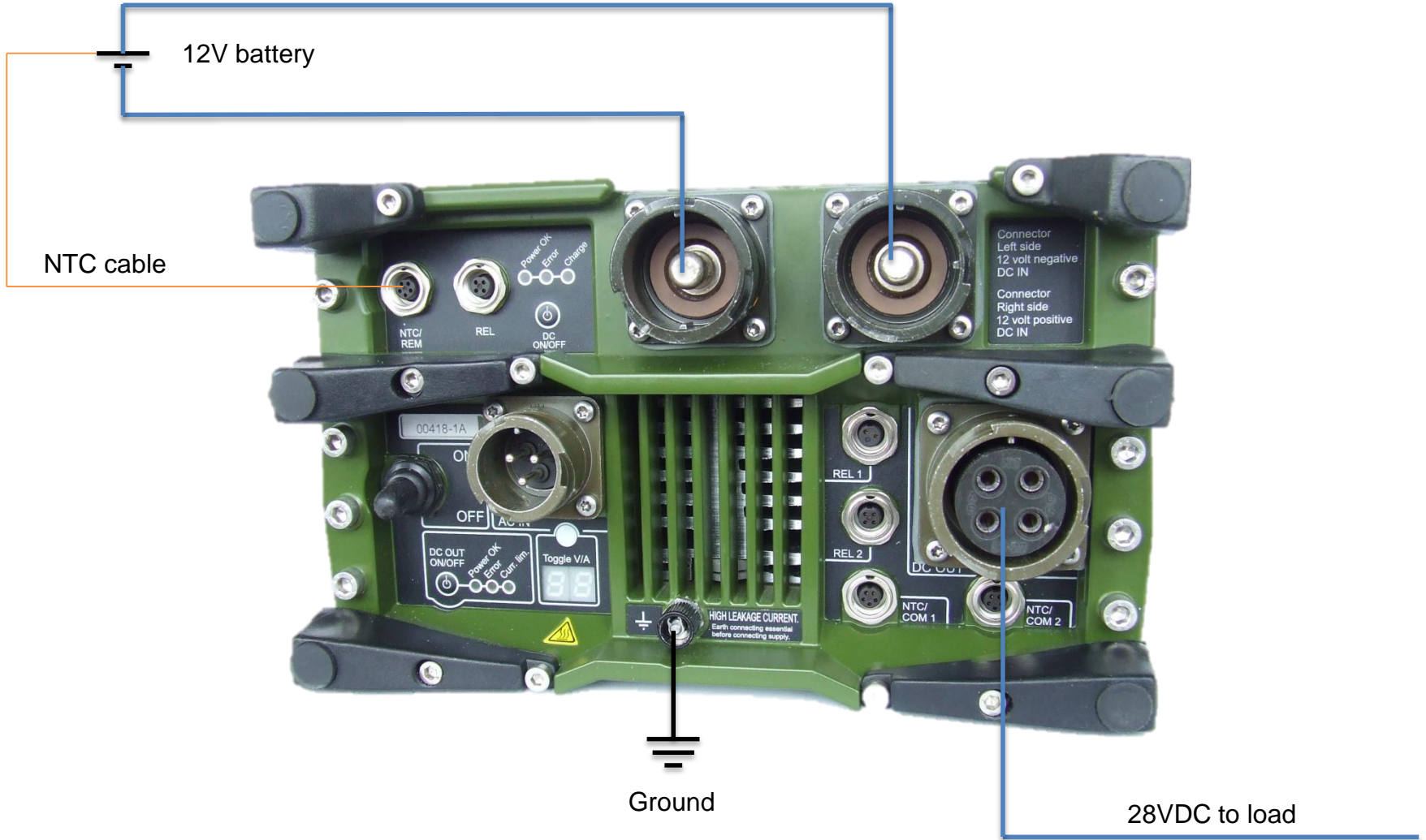
## ComPact 1200 DI 12V running on AC Charging 12V and 28V batteries



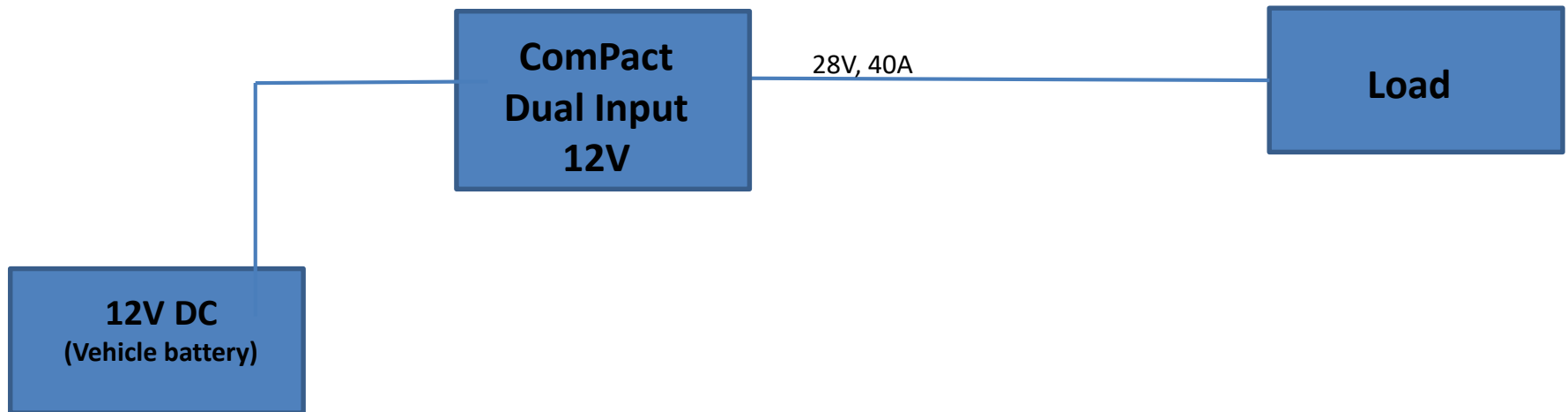


# ComCompact 1200 DI 12V running on 12V DC

Delivering 28V DC to load

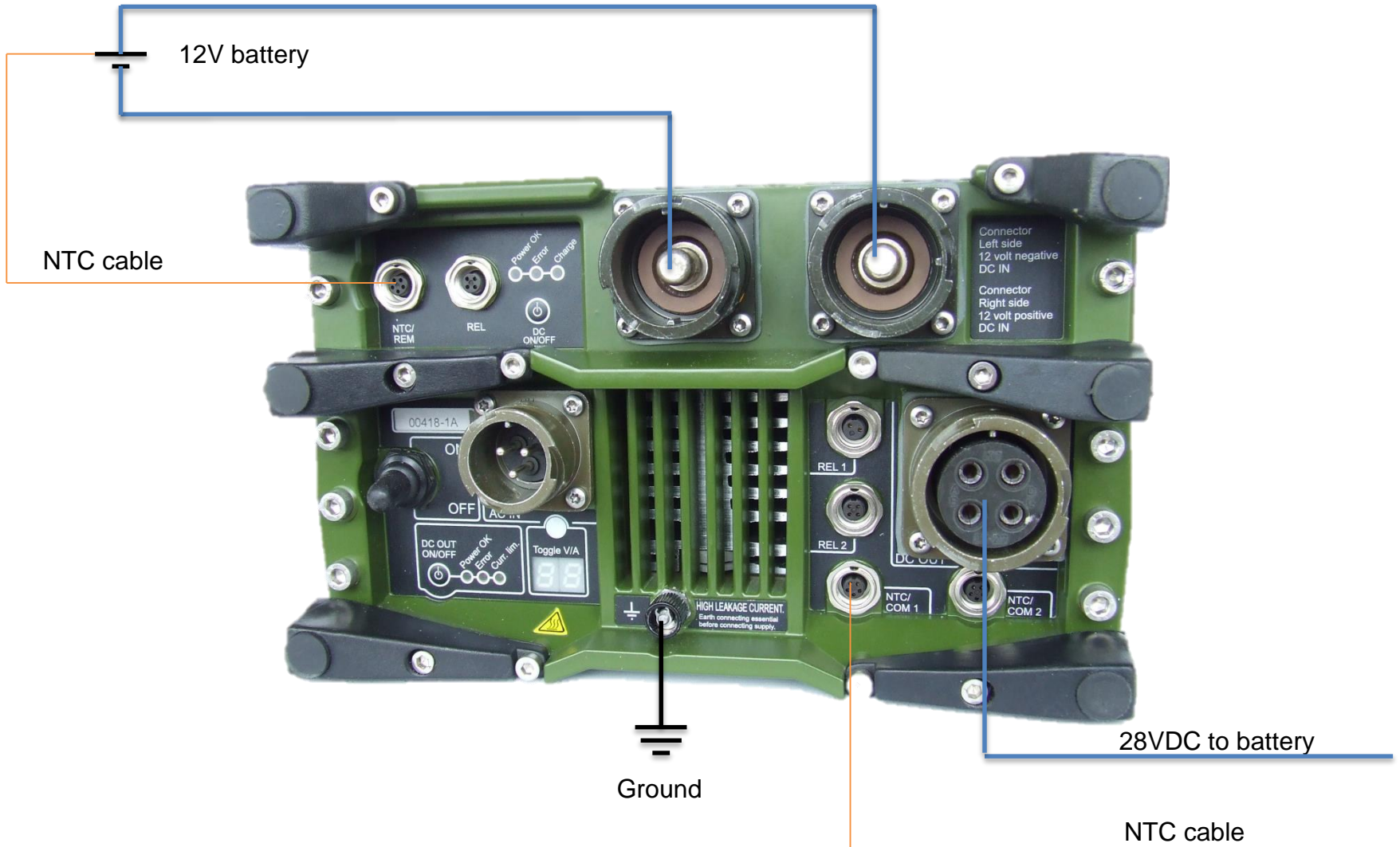


ComPact 1200 DI 12V running on 12V DC  
Delivering 28V DC to load

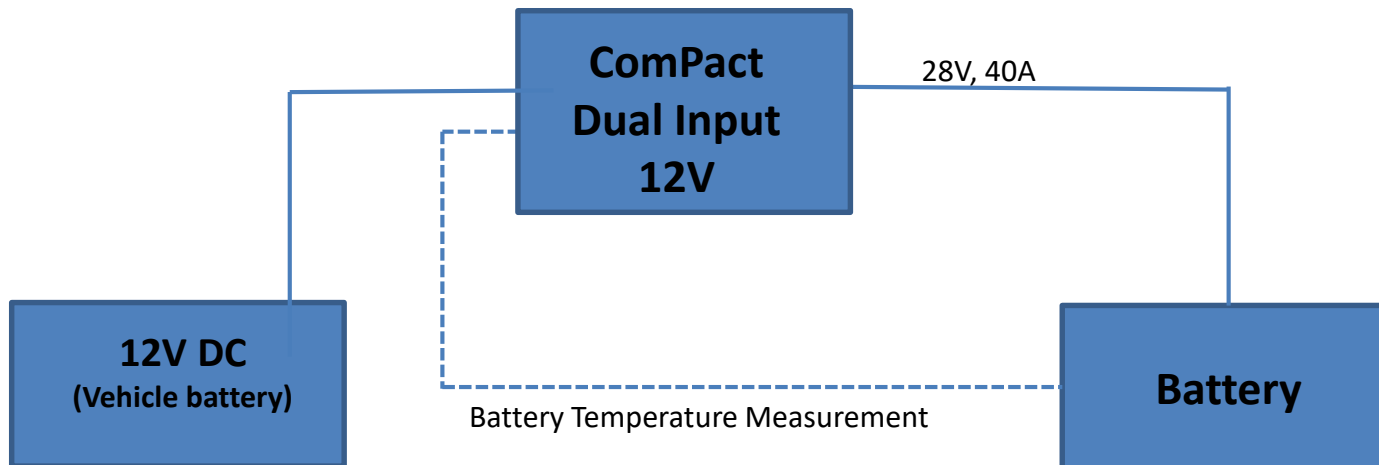




# ComPact 1200 DI 12V running on 12V DC Charging 28V battery

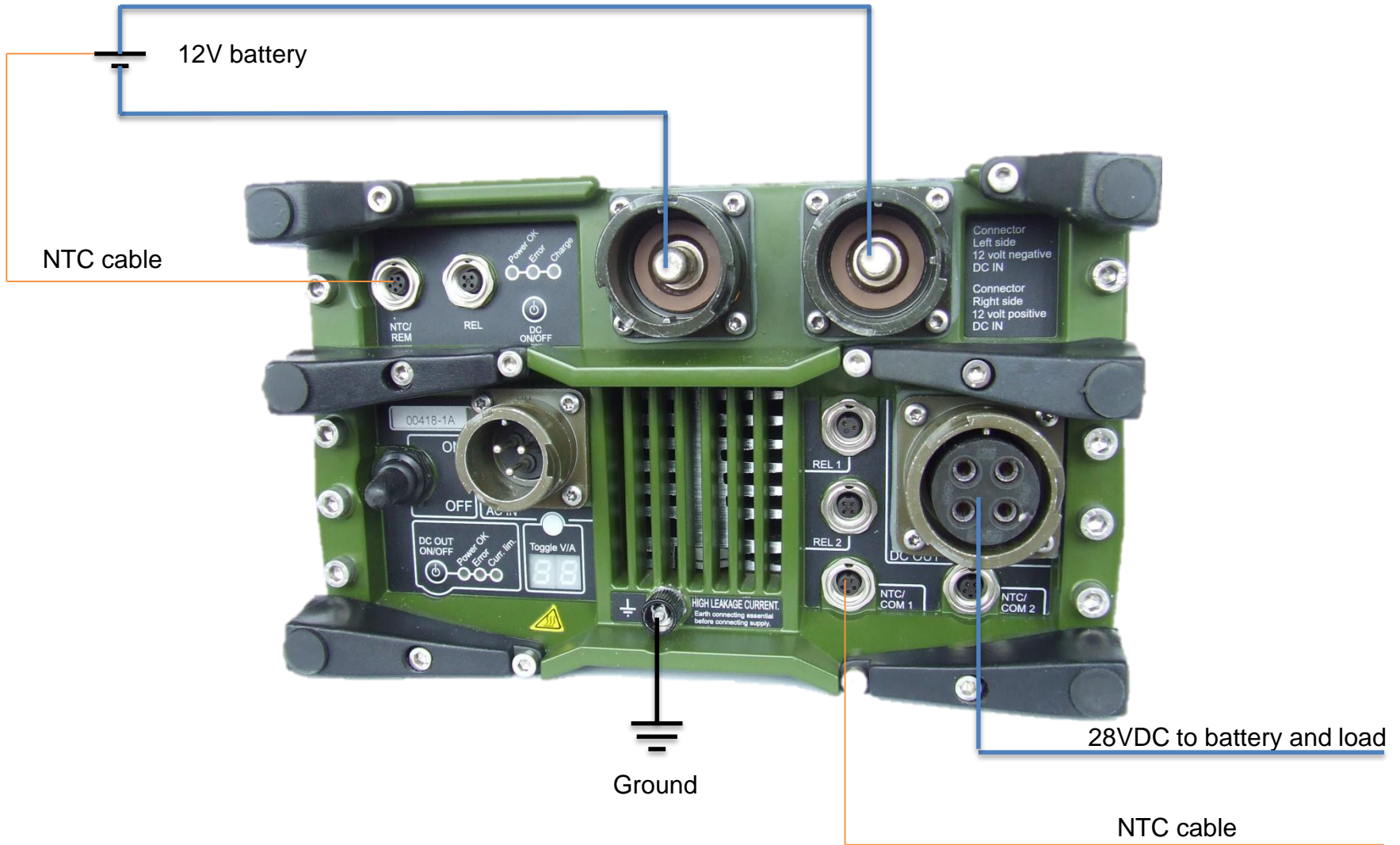


## ComPact 1200 DI 12V running on 12V DC Charging 28V battery

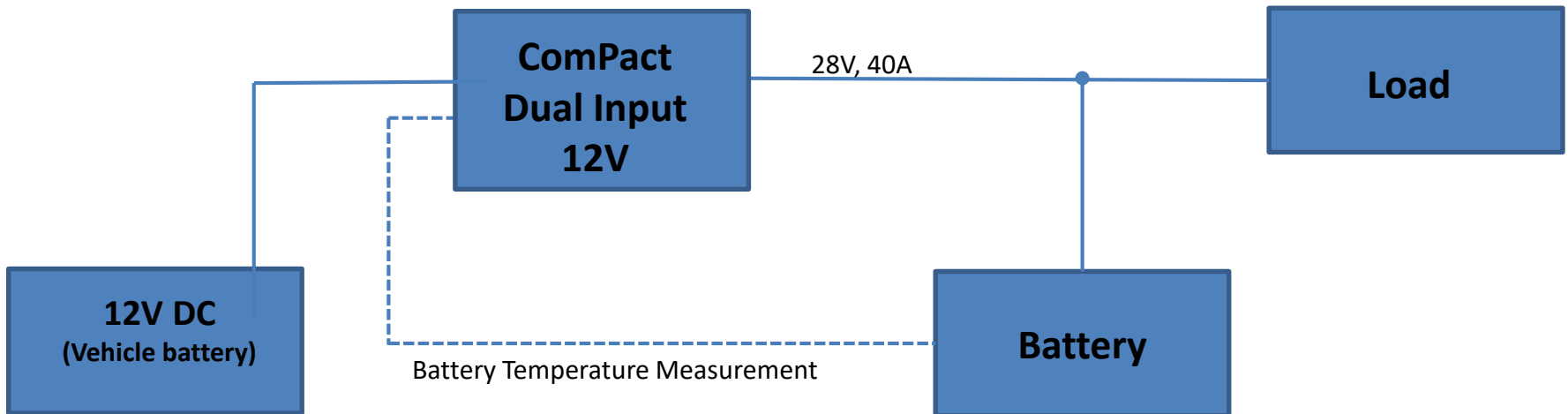


# ComPact 1200 DI 12V running on 12V DC

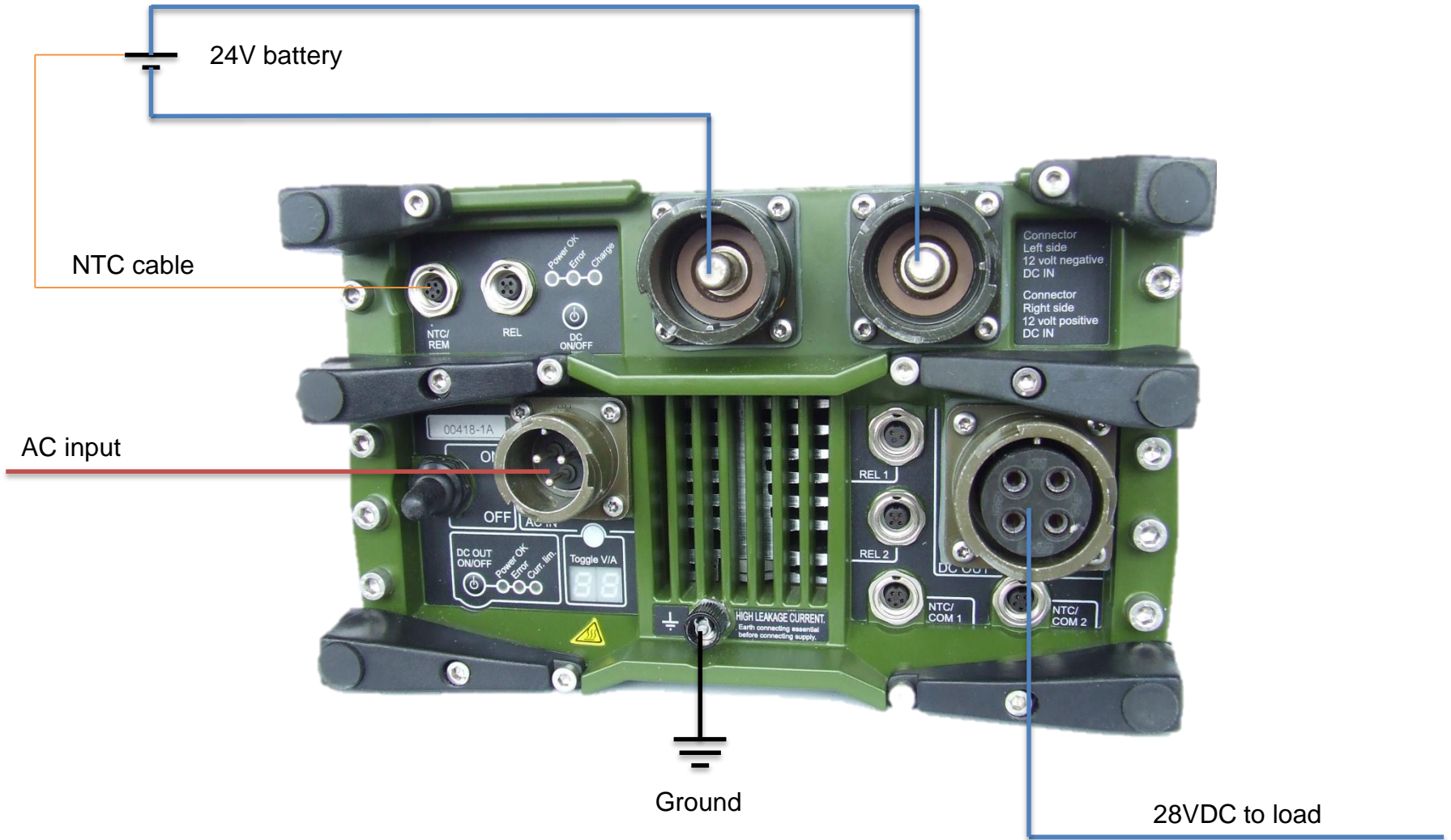
Charging 28V battery and delivering 28V DC to load



ComPact 1200 DI 12V running on 12V DC  
Charging 28V battery and delivering 28V DC to load

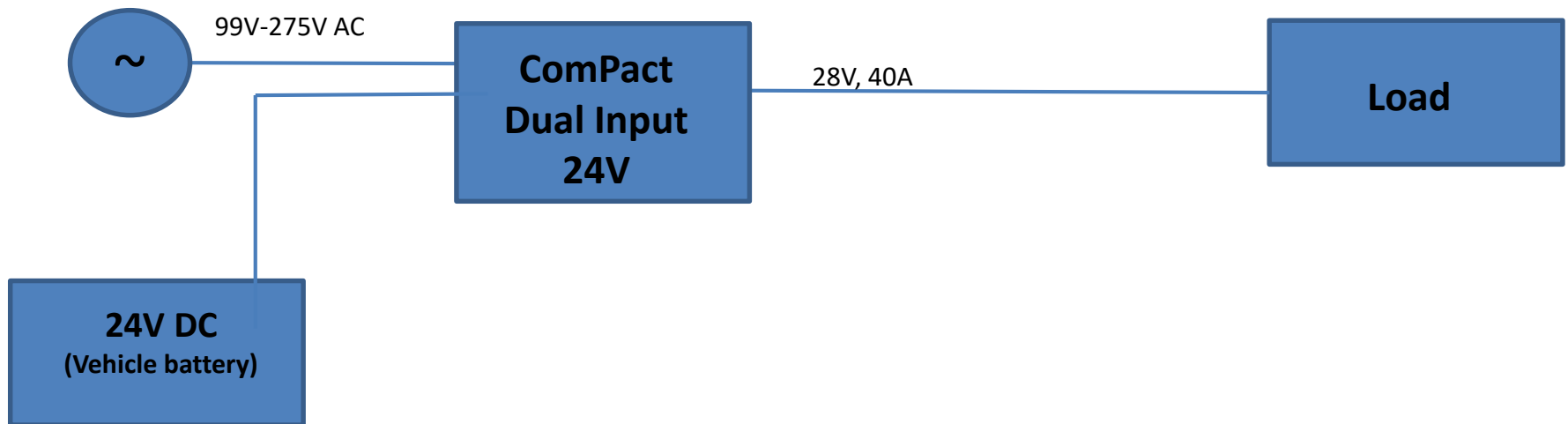


## ComPact 1200 DI 24V running on AC Charging 24V battery and delivering 28V DC to load



## ComPact 1200 DI 24V running on AC

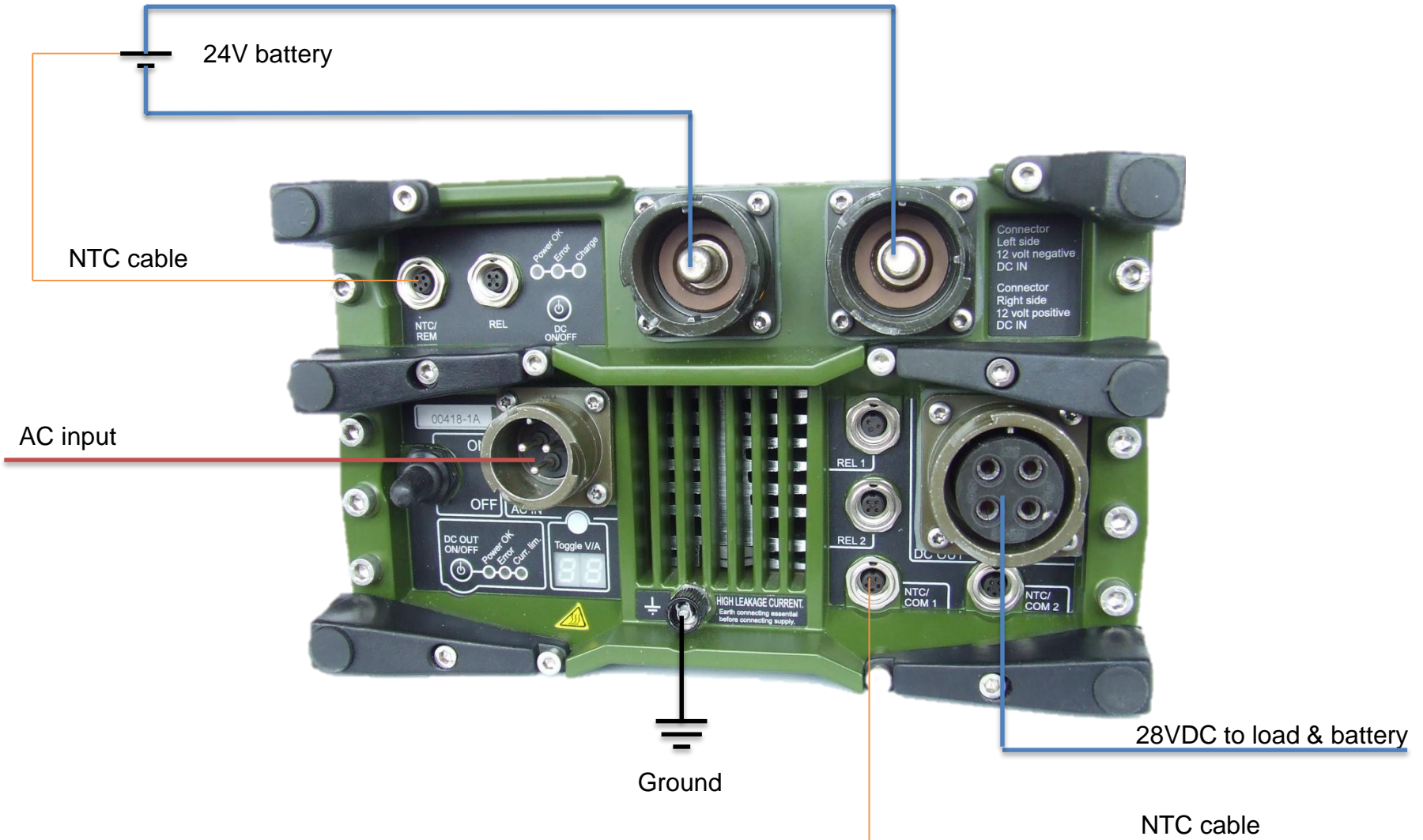
Charging 24V battery and delivering 28V DC to load



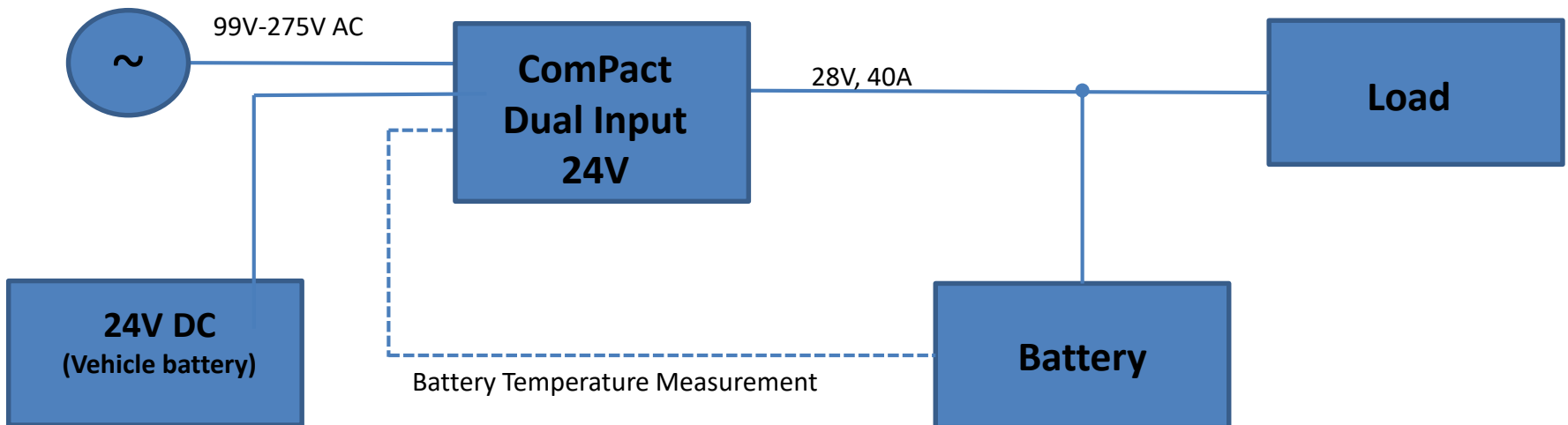


# ComPact 1200 DI 24V running on AC

Charging 24V and 28V batteries, and delivering 28VDC to load



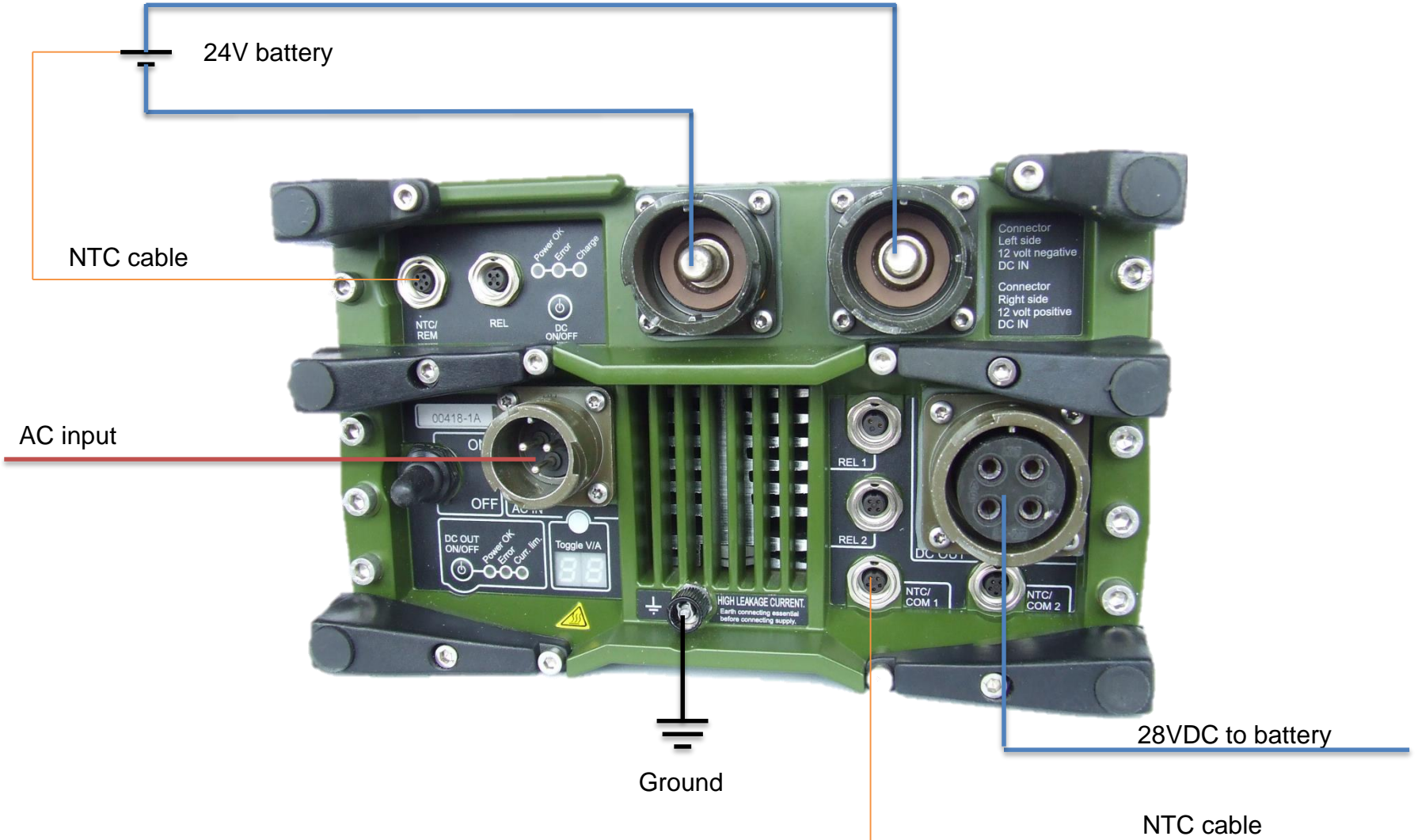
ComPact 1200 DI 24V running on AC  
Charging 24V and 28V batteries, and delivering 28VDC to load



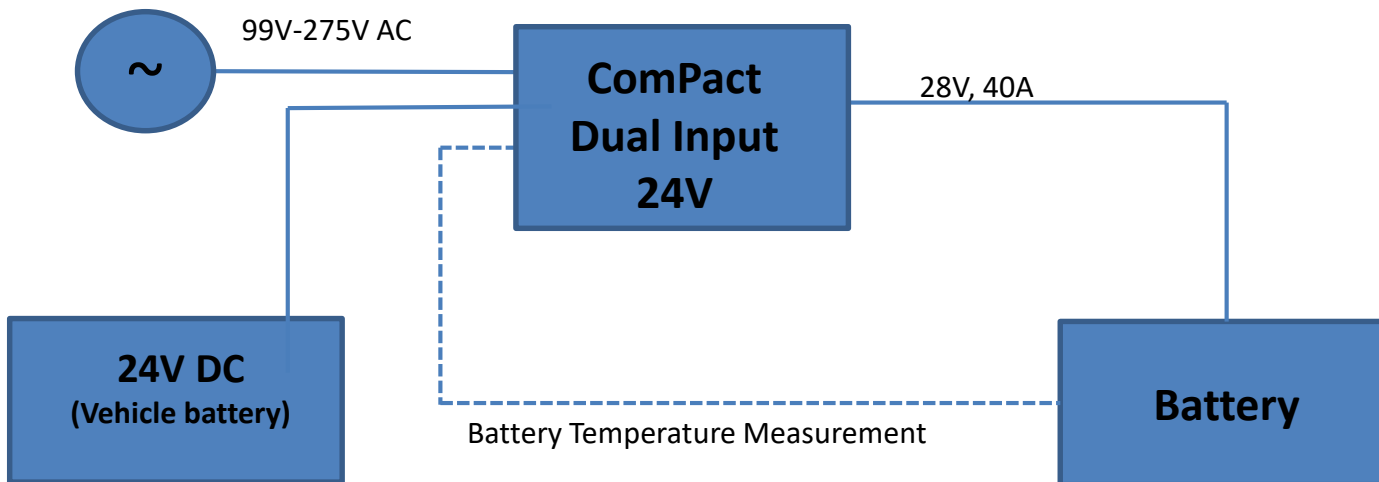


# ComCompact 1200 DI 24V running on AC

Charging 24V and 28V batteries

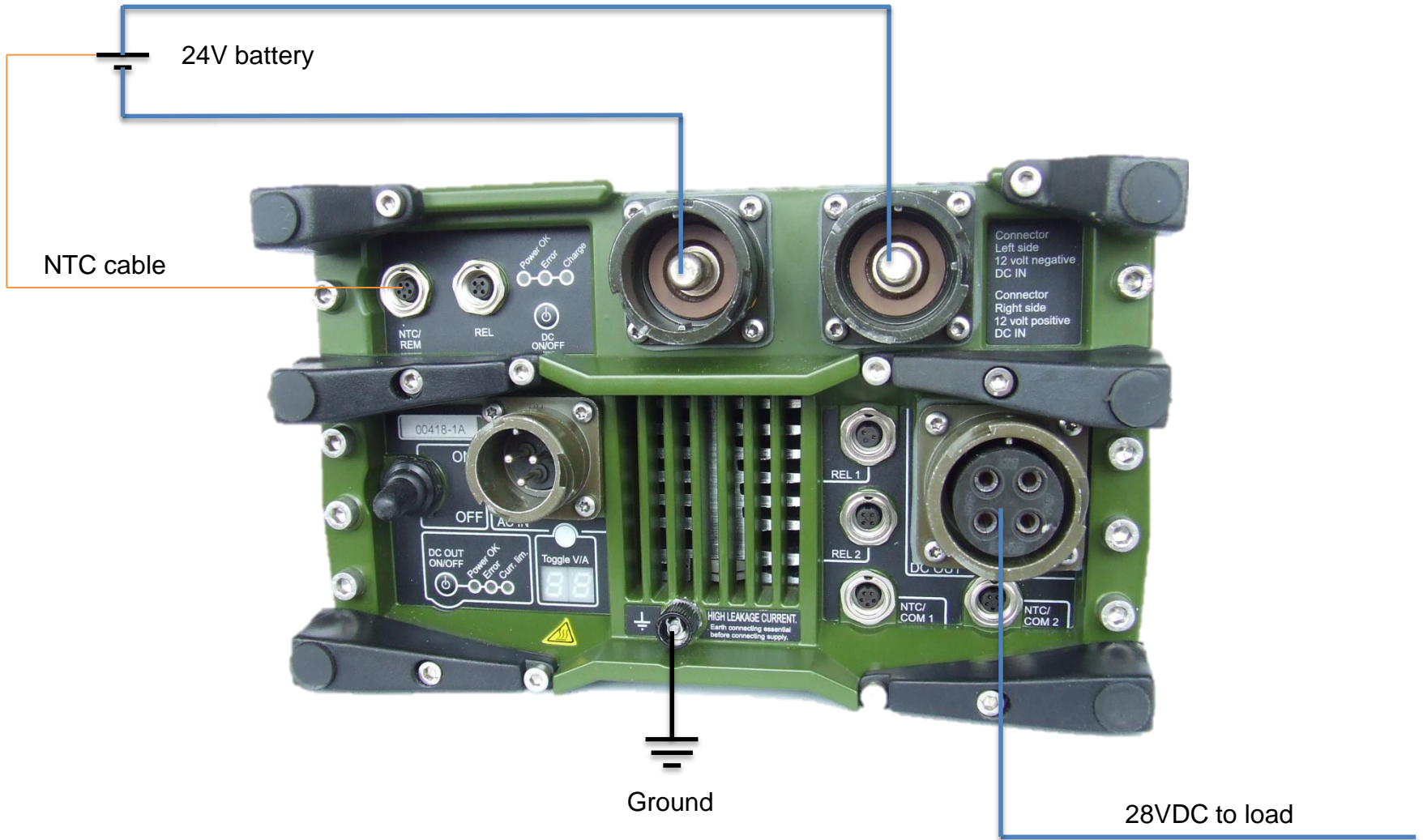


## ComPact 1200 DI 24V running on AC Charging 24V and 28V batteries

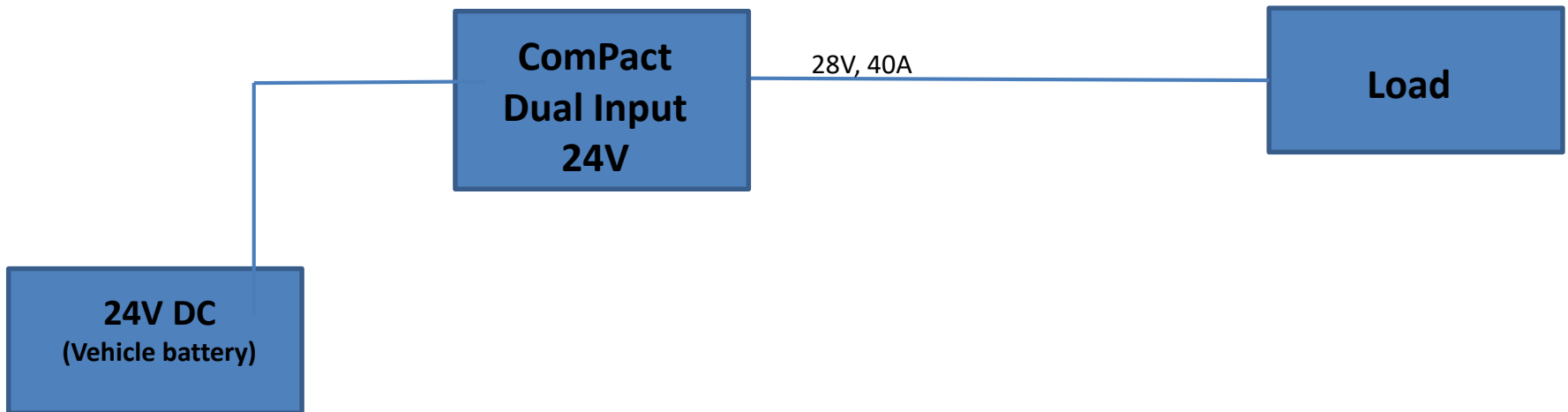


# ComPact 1200 DI 24V running on 24V DC

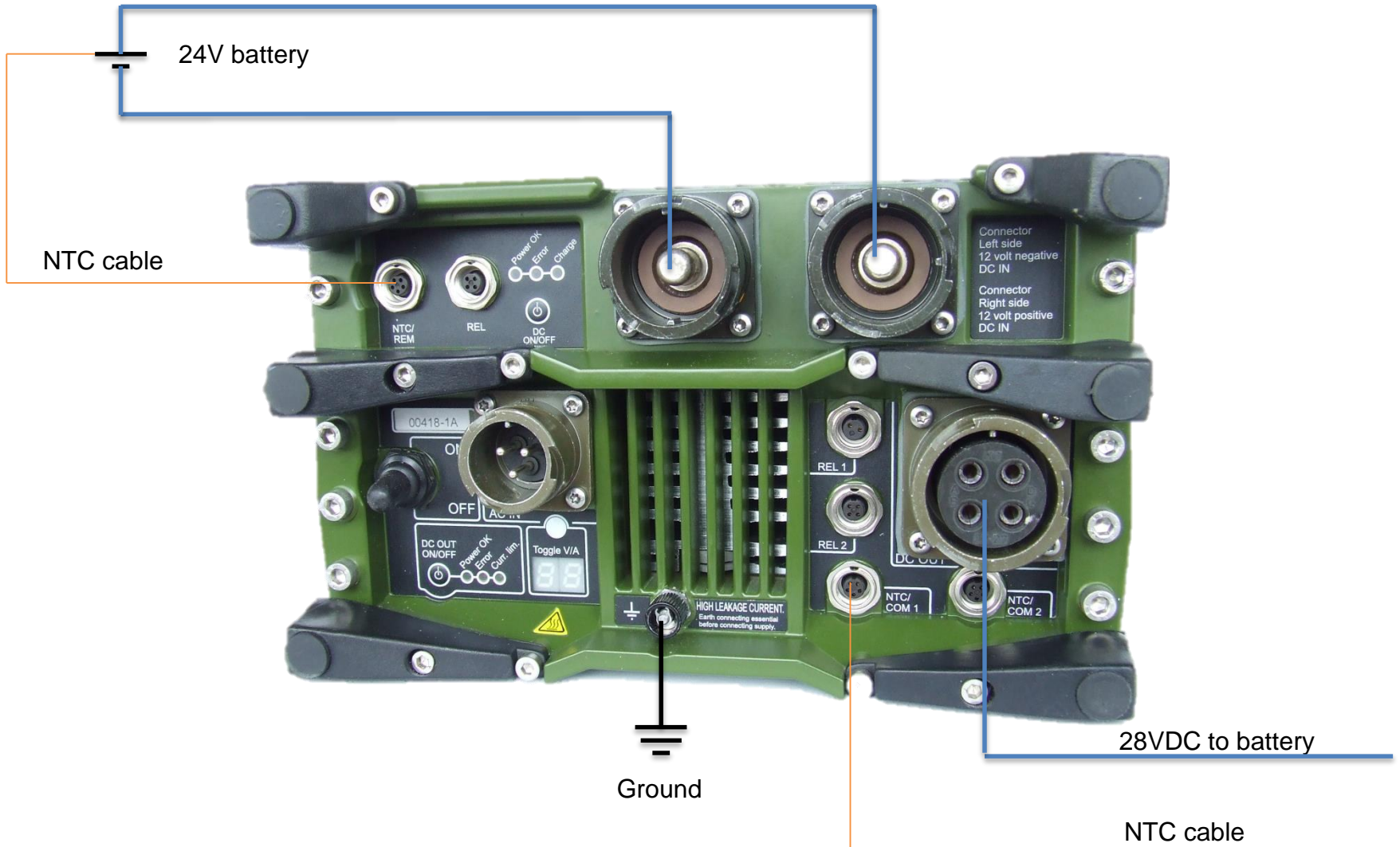
Delivering 28V DC to load



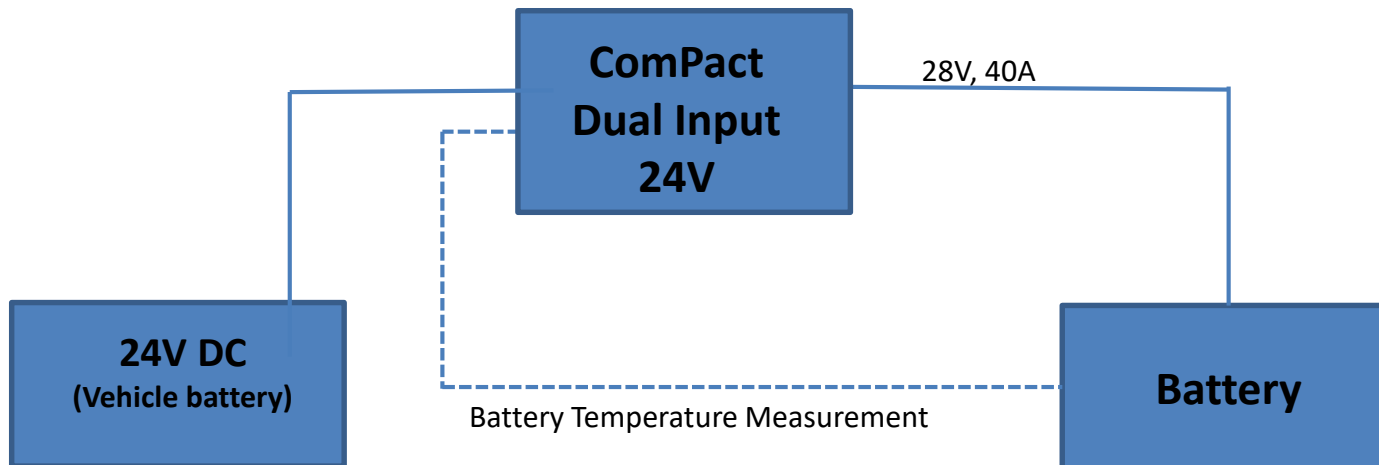
ComPact 1200 DI 24V running on 24V DC  
Delivering 28V DC to load



# ComPact 1200 DI 24V running on 24V DC Charging 28V battery



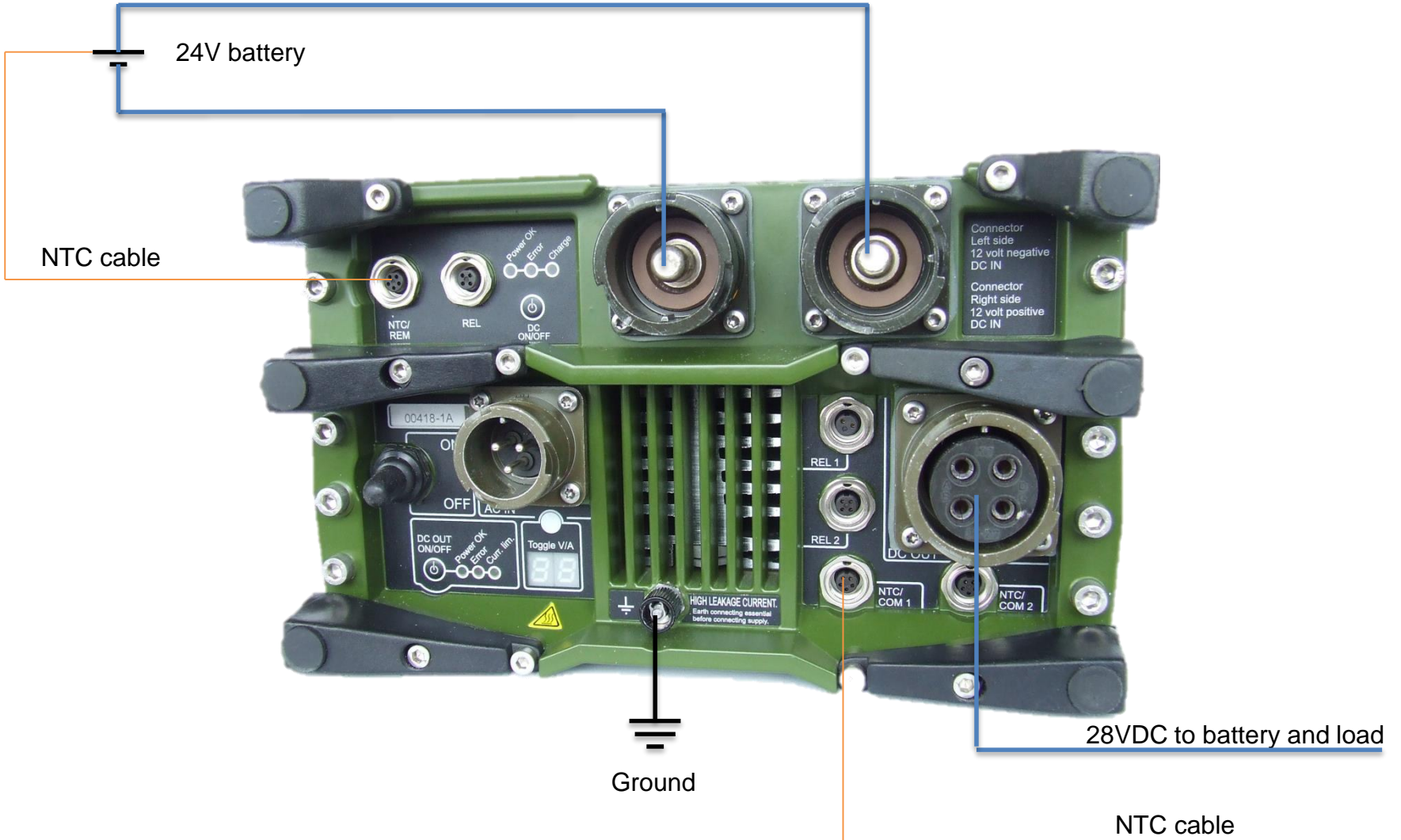
## ComPact 1200 DI 24V running on 24V DC Charging 28V battery





# ComPact 1200 DI 24V running on 24V DC

Charging 28V battery and delivering 28V DC to load



ComPact 1200 DI 24V running on 24V DC  
Charging 28V battery and delivering 28V DC to load

