

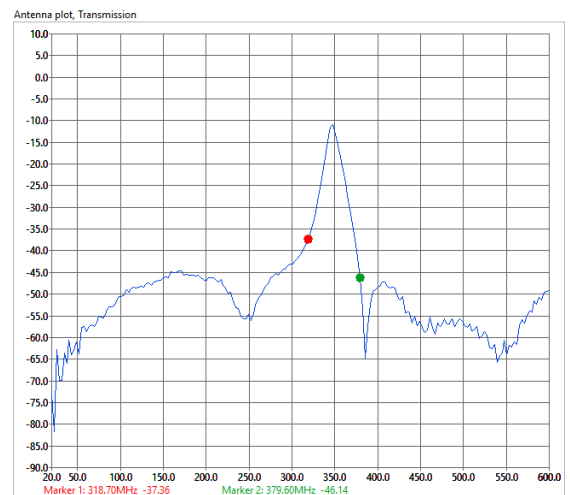


Features

- Diplexer for combining two radios into one antenna
- VHF: 30-320 MHz
UHF: 380-600 MHz
- Low loss
- High isolation

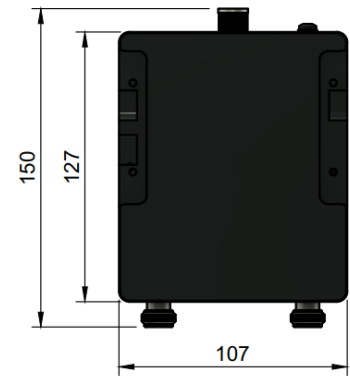
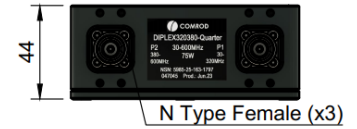
Electrical specification

Frequency range	30-320 MHz 380-600 MHz
VSWR	30-320 MHz < 1.5:1 380-600 MHz < 1.5:1
Nominal impedance	50 Ohm
Power rating	75 W
In-band loss	< -1 dB
Isolation	VHF-band < 45dB typ, -35 dB max. UHF -band < 50 dB typ, -45 dB max.
Connectors	3 x N Type female



Mechanical specification

Design	Aluminum housing
Dimensions housing	127 x 107 x 44 mm 4.75 x 4.2 x 1.7 in
Dimension overall	150 x 107 x 44 mm 5.9 x 4.2 x 1.7 in
Weight	750 g (1.65 lbs)
Temperature range	-55°C to +71°C, -67°F to +160°F
Environmental	IP67 (mated)

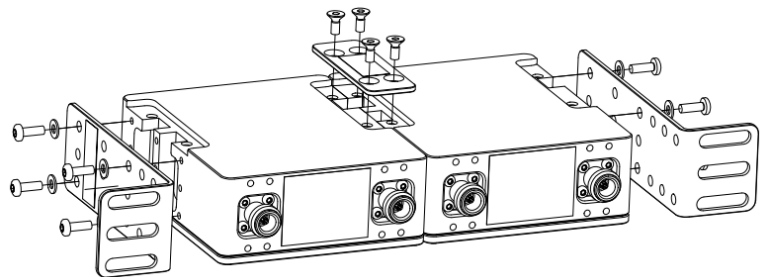


Mounting Accessories

Comrod has a large range of mounting brackets for combiners, diplexers and triplexers. The standard enclosure is 1U tall x quarter 19" rack width (44mm tall x 107mm wide x 160mm deep). Units can be joined side-by-side to fit into a 19" rack as shown below. Extension brackets are available for mounting one, two, three or four units into a 19" rack.

19" Rack Mounting

2 x units with joining bracket and 19" rack mounting brackets for a 19/2 rack. Extension brackets can be supplied to fit a full 19" rack.



Bulkhead Mounting

Combiner, diplexer or triplexer with bulkhead mounting brackets. Multiple units can be joined using the joining brackets and share the same bulkhead mounting brackets.

