



ETAMS-HF deployed



Complete kit supplied in one compact carrying bag

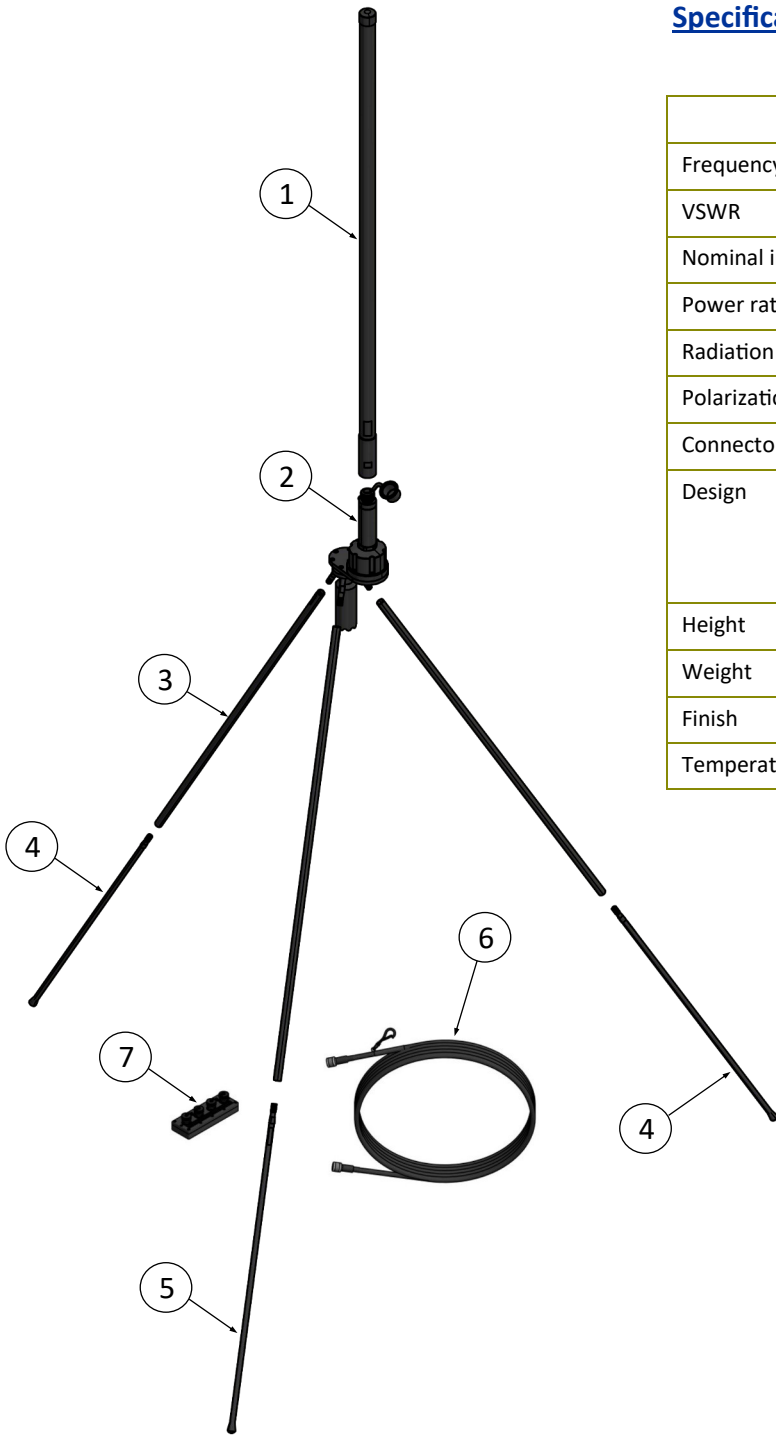


Complete ETAMS-HF kit

- Tactical Multiband Antenna and 27.9 ft (8.5 m) mast kit.
- Frequency range:
 - HF (1.6-30 MHz)
 - VHF (30-88MHz)
 - UHF (225-450MHz)
 - L-S band (1200-2600MHz)
- Supports legacy and modern networking waveforms.
- Comrod Tri-band antenna (VHF302600TB) installed on top of mast. Comrod HF wire dipole antenna (HF230XD-BF) installed at lower guy position.
- Kit includes extra guy ropes for when HF antenna is not needed.
- Single port Tri-band antenna design reduces cabling to antenna. Second cable connected to HF Wire Antenna. Both cables included with kit.
- High isolation between all bands.
- Tripod for Tri-band antenna included for ground level deployment.
- Included triplexer provides three separate radio ports from the Tri-band antenna.
- Complete kit supplied in one compact bag.
- System can be deployed in less than 15 minutes.

Specification - Tri-band Antenna Assembly

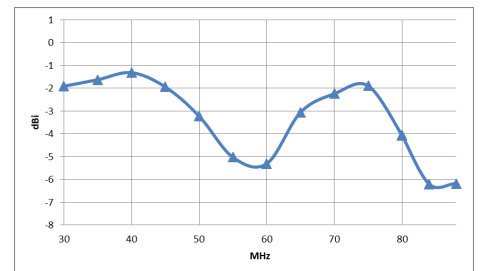
	VHF	UHF	L-S band
Frequency range	30-88 MHz	225-450 MHz	1200-2600 MHz
VSWR	< 3.5	< 3.0	< 3.0
Nominal impedance	50 Ω		
Power rating	75 W	75 W	50 W
Radiation pattern	Omnidirectional		
Polarization	Vertical		
Connector	N type Female		
Design	VHF monopole, UHF dipole, L-S band dipole elements. Radiating elements completely enclosed in epoxy/fiberglass laminate. Metal parts are brass, aluminum and stainless steel.		
Height	10 ft (3.1 m) - Antenna + Tripod		
Weight	Whip: 3.1 lbs (1.4 kg), Tripod: 8.3 lbs (3.8 kg)		
Finish	Polyurethane lacquer		
Temperature range	-67°F to +160°F, -55°C to +71°C		



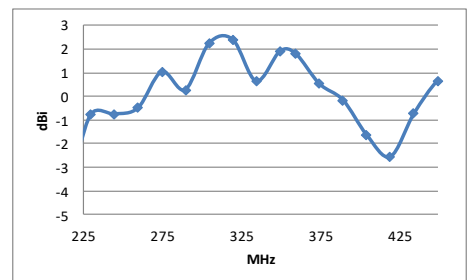
Tri-band Antenna Kit List

Part	Item	Qty
Antenna Whip	1	1
Antenna Mast Adaptor	2	1
Inner Radial I	3	3
Outer Radial D	4	2
Outer Radial C	5	1
Coaxial Cable (LMR400) 40ft (12m)	6	1
Triplexer	7	1
Antenna Roll-Up Bag (not shown)	-	1

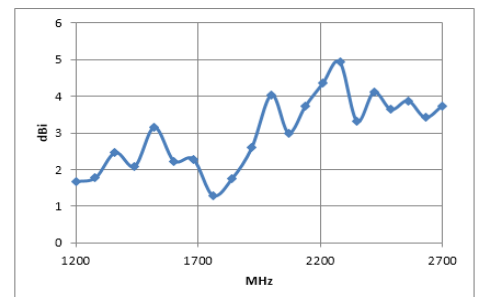
VHF gain, dB rel. 1/4 wave resonant whip.



UHF gain, dBi



L-S band gain, dBi



Specification - HF Wire Antenna Assembly

Frequency range	1.6-30 MHz
VSWR	< 3.5
Gain	2 dBi (dependent on coupler)
Nominal impedance	300 Ω - balanced transmission line
Power rating	400 W
Radiation pattern	Omnidirectional within ±2 dB
Polarization	Horizontal
Connector	2 x hook terminals
Design	Crossed dipole wire antenna
Weight	3.5 lbs (1.6 kg)
Temperature range	-67°F to +160°F, -55°C to +71°C



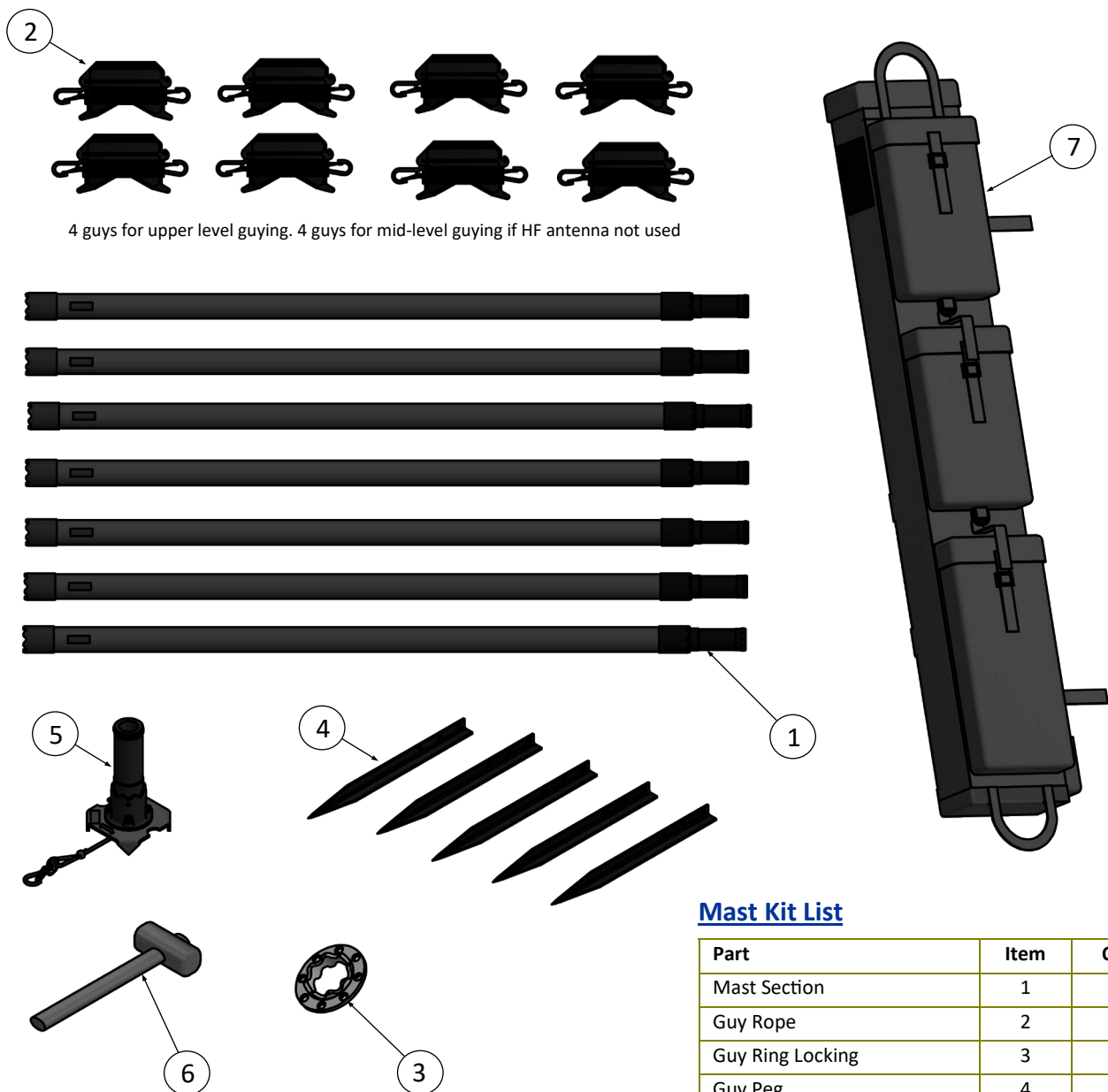
HF Wire Antenna Kit List

Part	Item	Qty
HF Center Junction and Feed Cable	1	1
HF Dipole Element on Winder	2	4



Specification - Mast Assembly

Mast sections	Fiberglass tube outside diameter \varnothing 1.75 in (\varnothing 44.5 mm), 52 in (132 cm) long. Green, tan or black paint finish.
Total mast kit weight	32.7 lbs (14.9 kg)
Top interface	\varnothing 1.53 in (\varnothing 39 mm) OD spigot, 4 in (100 mm) long (to fit 1.57 in (40 mm) socket)
Guy	4 x upper and 4 x middle guys (not used if HF antenna is deployed). 1/8 in (3 mm) braided rope on winder with adjustable lock and snap hooks each end
Guy pegs	5 pcs steel
Base support	Baseplate
Wind speed	60 mph (96 km/h), including gust
Temperature range	-67°F, +131°F, -55°C, +55°C



Mast Kit List

Part	Item	Qty
Mast Section	1	7
Guy Rope	2	8
Guy Ring Locking	3	1
Guy Peg	4	5
Baseplate	5	1
Hammer	6	1
Carrying Bag	7	1

Overall Dimensions

System Weight:
54 lbs (24.5kg)

