

Features:

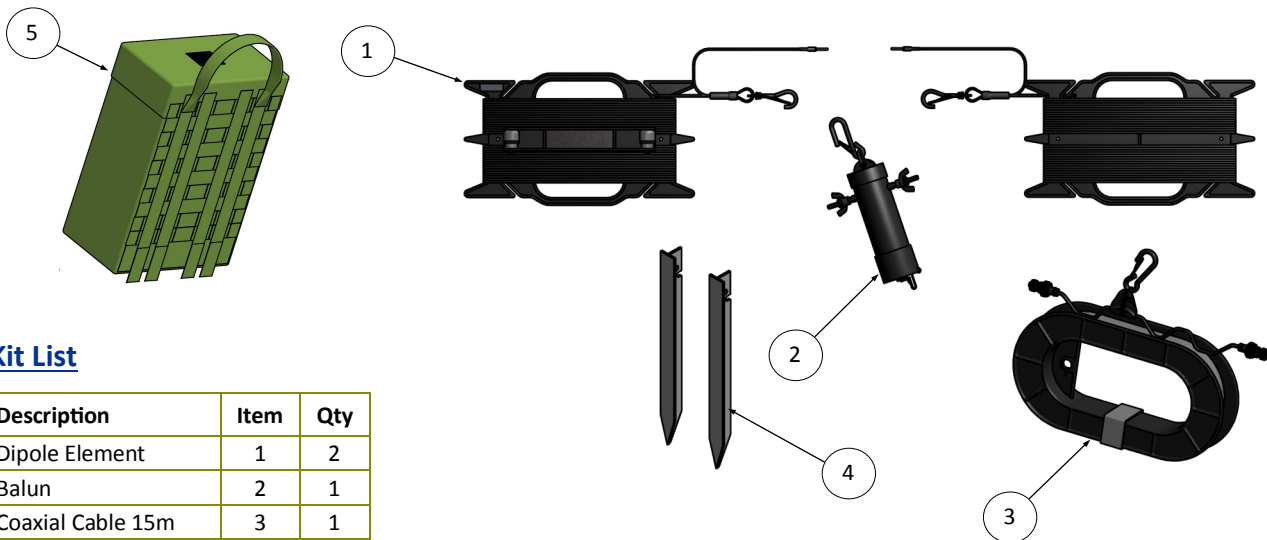
- 2 - 88 MHz - 150 W
- Dipole elements with loads for broad-band characteristics
- Permits fast frequency shifts as it does not require adjustments
- Easy to erect and disassemble
- Packs down into a compact light weight bag for transportation
- Optimised for NVIS communications

Electrical specification

Frequency range	2 - 88 MHz
VSWR	Better than 3.5:1
Nominal impedance	50 ohm
Power rating	150W CW
Radiation pattern	NVIS dipole
Connector	BNC

Mechanical specification

Design	Centre balun, two dipole arms, each with a load. Suspension line for each dipole arm, and two winders.
Length: Dipole arms	2 x 25 m
Suspension line	2 x 5 m
Weight: Antenna	3.8 kg
Temperature range	-55 °C, +71 °C; -67 °F, +160 °F



Kit List

Description	Item	Qty
Dipole Element	1	2
Balun	2	1
Coaxial Cable 15m	3	1
Guy Peg	4	2
Carrying Bag	5	1