



General Description & Application

The LB2244SF2 is a high gain UHF wide-band tactical dipole whip antenna designed for use on all modern in-service military platforms, including armored or soft skin, metal chassis or composite, wheeled or tracked. The antenna is designed to work with all UHF hopping combat radios in the range 225 to 400MHz.

The antenna is an elevated high gain dipole which reduces distortion of the radiation patterns that could be caused by the environment of a vehicle.

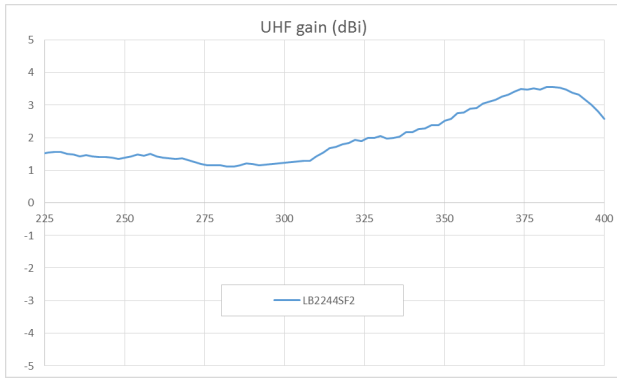
The whip is made of high resistance fiberglass reinforced Epoxy resin.

An optional mast adapter is available to elevate the whip (see page 2)

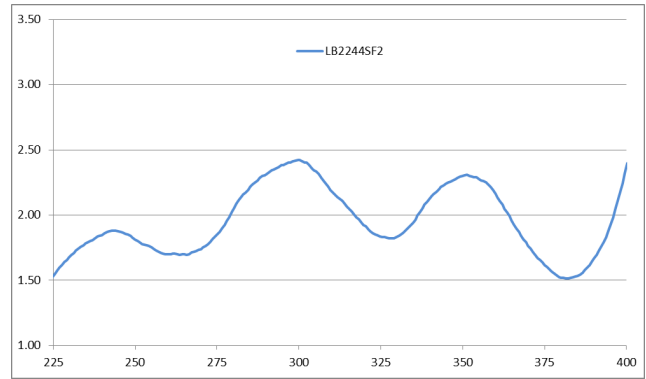
Specification

Frequency Range	225 -400 MHz
Total Height	1.6m
Weight	≤ 3kg
Polarisation	Vertical
VSWR	≤ 2.6:1 (see plot)
Impedance	50 Ω
Gain (Typical)	+1 to 4 dBi (see plot)
Power	50w
Connection	N type female
Wind Speed (operational)	160 km/h
Oak Beam Resistance	25 impacts at 40km/h
Temperature Range (operational)	-35°C to +55°C
Temperature Range (storage)	-40°C to +70°C
Salt Fog	96 hours

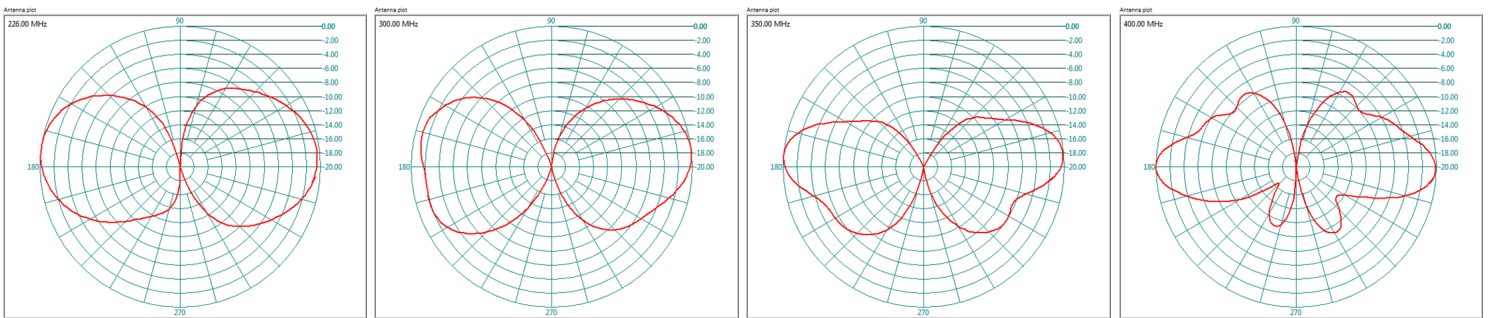
Gain



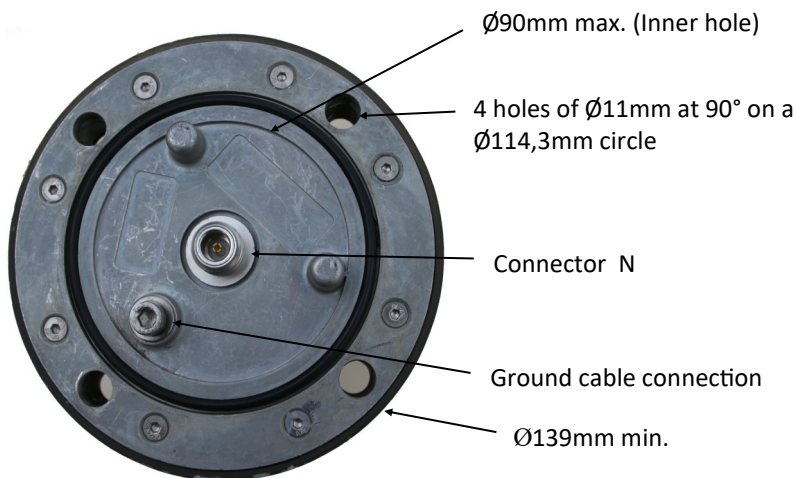
VSWR



Typical Radiation Patterns



Vehicle Installation



Installation on mast

The LB2244SF2 antenna may also be installed on a mast with a Ø40mm spigot using the optional mast adapter. The whip can be dismantled from vehicle and used for mast installation.

COMROD can provide a range of sectional and telescopic masts to support one or two antennas.

