



Typical use - 45mm diameter version shown with Comrod UHF315350HH-EFD Dipole antenna

Technical Description

Compact magnetic bases for mounting smaller Comrod handheld or manpack antennas onto a suitable magnetic surface. Two sizes are available depending on the antenna size.

- 45mm and 60mm diameter bases
- 45mm version for antenna up to 0.6m length*
60mm version for antenna up to 1.2m length*
- Removable rubber cap over magnet for surface protection and reduced pull strength.
- Connector options (see table)
- No tools required to fit and remove

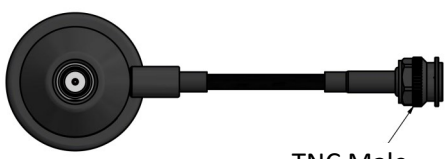
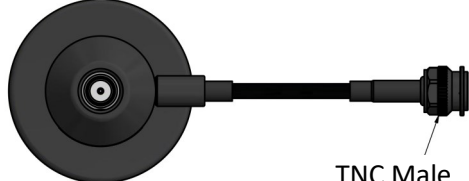
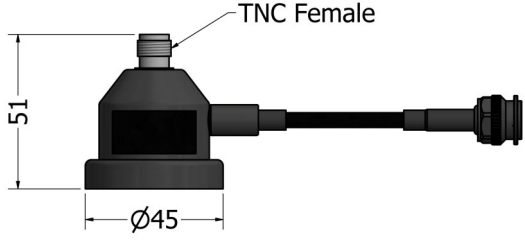
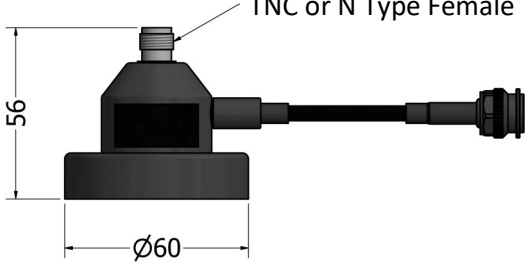
Electrical Specification

Frequency	0-3000 MHz
Power	100 W
Connector - Top	45mm - TNC Female 60mm - TNC or N Type Female
Connector - Lead	TNC Male or N Type Male (others on request)

Mechanical Specification

Design	Aluminium and brass body with neodymium magnet
Dimensions	See diagrams
Weight	45mm - 190g 60mm - 345g
Pull Strength	See page 2
Finish	Black

Outline Dimensions

Diameter - 45mm		Diameter - 60mm	
 <p>TNC Male (others available)</p>		 <p>TNC Male (others available)</p>	
 <p>TNC Female</p> <p>51</p> <p>Ø45</p>		 <p>TNC or N Type Female</p> <p>56</p> <p>Ø60</p>	
Pull Strength	With Rubber - 31kg Without rubber - 40kg	Pull Strength	With Rubber - 71kg Without Rubber - 92kg

*** Warning** - The pull strength figures given above are for guidance only. The actual pull strength will be determined by a number of factors. Antenna size, wind loading, vehicle speed and thickness of the mounting plate. These factors must be considered before selecting a suitable base.

Optional Accessories

Horizontal tube mount bracket for the 60mm Mag-Base. Bracket is typically used to attached a 60mm Mag-Base onto a hand rail. Bracket is supplied with a magnetic top surface and earth attachment point.

