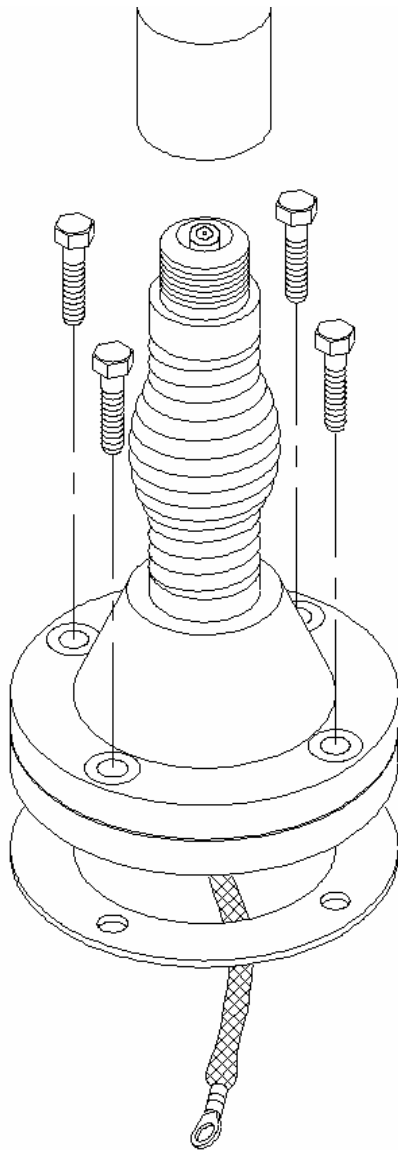


COMROD NTS-WLAN

Antenna base with WLAN antenna



Application:

The NTS-WLAN is a base with a built in WLAN antenna element..

There are two antenna connections available for matching the different antenna interfaces:

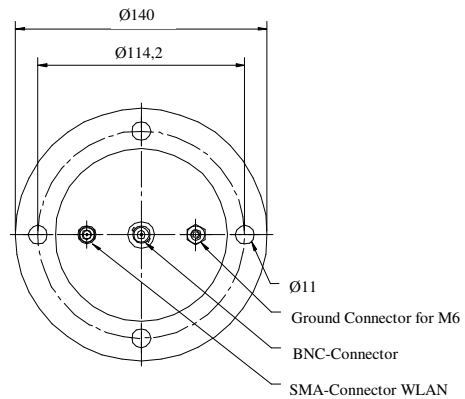
- VM-connection
- CEF-connection

Specifications:

| | |
|-----------------------|------------------------------------------------------------------|
| Impedence | 50Ω for both VM and CEF connection |
| WIFI frequency range: | 2400-2500MHz |
| WIFI gain: | -1 dBi |
| WIFI VSWR | < 2.2 50Ω |
| Connector VHF: | BNC female or other on request |
| WIFI: | SMA female |
| Temperature range: | -55 °C, +85 °C |
| Mechanical design: | Spring base made from stainless steel, brass, aluminium and GRP. |
| Height base: | 240mm |
| Weight: | 2.4 kg |

Mounting:

Standard 4 hole NATO flange, with conducting gasket or strap for grounding.



Electrical specifications for VM connection:

| | |
|--------------------|---------------|
| Frequency range | 0 - 450 MHz |
| Antenna connection | VM connection |
| Nominal impedance | 50 ohm |
| Power rating | 400W CW |



Picture of VM connection at the top of the base

Electrical specifications for CEF connection:

| | |
|--------------------|----------------|
| Frequency range | 0 - 2 GHz |
| Antenna connection | CEF connection |
| Nominal impedance | 50 ohm |
| Power rating | 400W CW |



Picture of CEF connection at the top of the base