



Features

- 8-way GPS splitter for all GNSS systems in the 1150-1650 MHz frequency band. GPS, Galileo, GLONASS, Beidou.
- 1 antenna port, 8 radio ports
- Radio port 1 contain a DC path for power to the GNSS antenna.
- Radio ports 2 - 8 contains a DC dummy load to simulate a connected antenna.

Electrical Specification

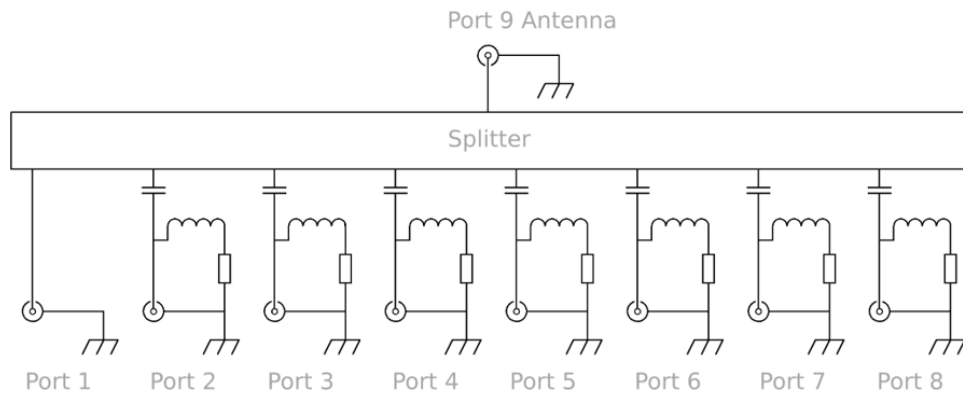
| | |
|--|---|
| Frequency | 1150-1650 MHz |
| Impedance | 50 Ohm (unbalanced) |
| VSWR - Port 1 to 8 (terminated) | < 1.5:1 |
| Power | 0.25 W |
| Isolation between radio ports * (ports terminated) | > 18dB |
| Attenuation (ports terminated) | < 10 dB |
| Attenuation (ports unterminated) | < 11 dB |
| Connectors | Antenna: 1 x N Type (f) Radio: 8 x TNC (f) |

* It is recommended that a 50 Ohm resistor is connected to unused ports.

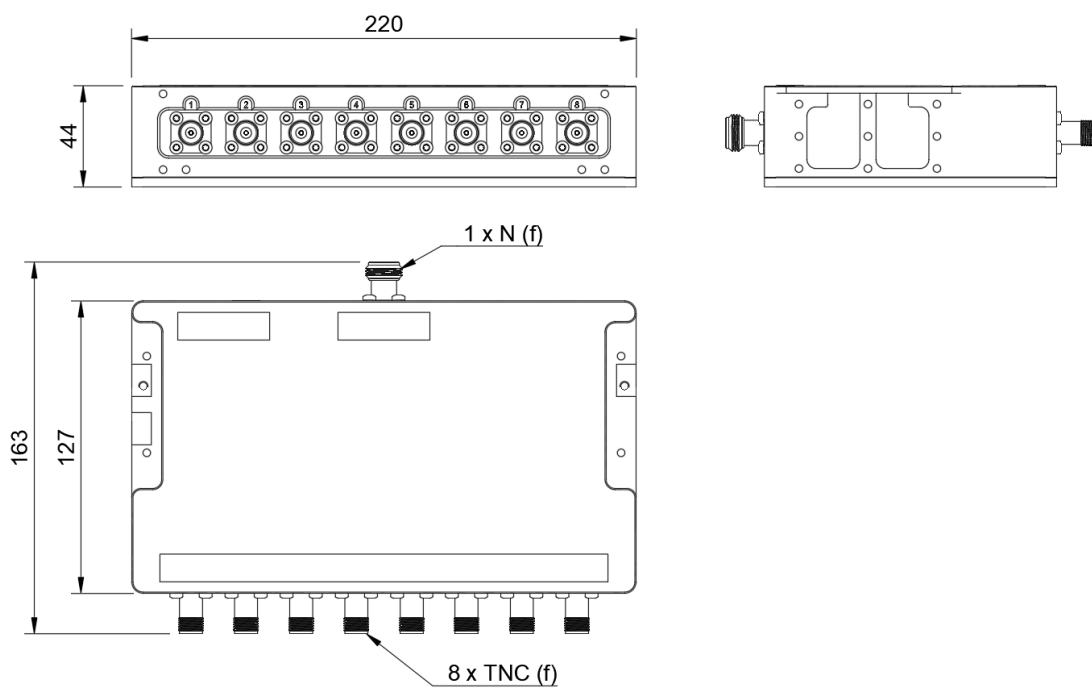
Mechanical Specification

| | |
|--------------------|---|
| Design | Aluminium housing, 1U tall, half rack (19/2 in) width |
| Dimensions housing | 220 x 127 x 44 |
| Dimensions overall | 220 x 163 x 44 |
| Weight | 1.65 kg |
| Temperature | -55°C to +71°C, -67°F to +160°F |
| Environmental | IP67 (mated) |

Schematic



Outline Drawing

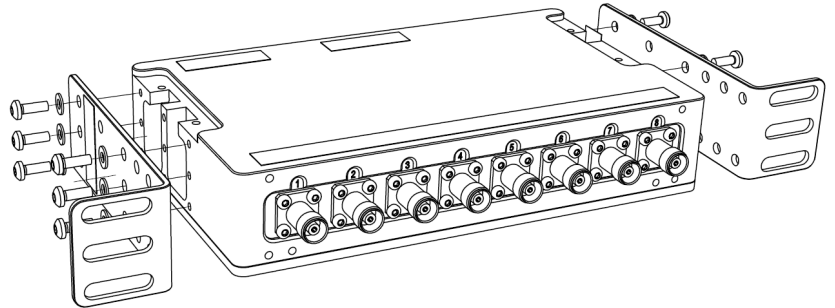


Mounting Accessories

Comrod has a large range of mounting brackets for our standard splitters, combiners, diplexers and triplexers. The Splitter-GNSS-8 enclosure is 1U tall x 19/2" rack width (44mm tall x 220mm wide x 127mm deep). Mounting brackets are available to mount into a full 19" rack, 19/2" rack, and bulkhead mount.

19" and 19/2" Rack Mounting

Fitted with standard rack mounting brackets for a 19/2 rack. Extension brackets can be supplied to fit a single unit into a full 19" rack. Two units can also be joined together side-by-side to fit into a full 19" rack.



Bulkhead Mounting

Fitted with bulkhead mounting brackets. Two units can also be joined side-by-side using the joining brackets, sharing the same bulkhead mounting brackets.

