



Features

4-way GPS splitter for all GPS systems in the 1150-1650 MHz frequency band.

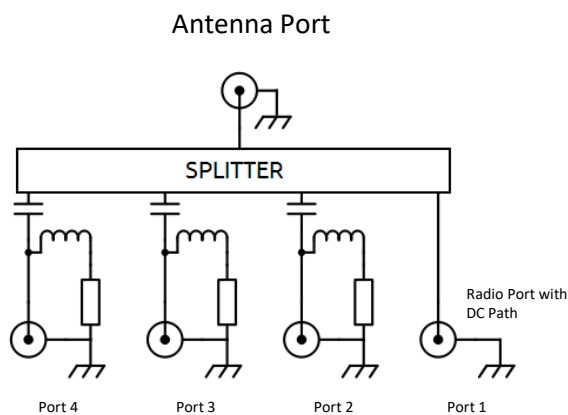
- GPS, Galileo, GLONASS, Beidou.
- 1 antenna port, 4 radio ports
- Radio port 1 contains a DC path for power to the GPS antenna.
- Radio ports 2,3 and 4 contain a DC dummy load to simulate a connected antenna.
- Splitter has an internal network to reduce the imbalance of ports when not terminated with a radio. Splitter can be used with 1,2,3 or 4 radios.

Electrical Specification

Frequency	1150-1650 MHz
Impedance	50 Ohm (unbalanced)
VSWR	Port 1,2,3,4 Port Ant.
	< 1.8:1 < 2.2:1
Power	0.25 W
Isolation between radio ports (ports terminated)	1150-1650MHz > 18dB
Connectors	SMA female
Attenuation (ports terminated)	< 7.5 dB
Attenuation (ports unterminated)	< 9.5 dB

Mechanical Specification

Design	Aluminium housing
Dimensions housing	82 x 43 x 19
Dimensions overall	82 x 43 x 28
Weight	150 g
Temperature	-55°C to +71°C, -67°F to +160°F



Radio Ports

