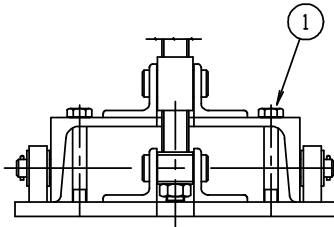


# COMROD T-AS9

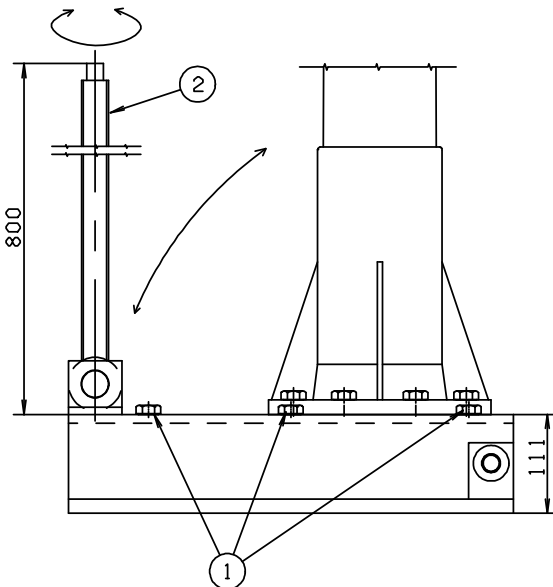
## Manual tilting mechanism



### Application:

The installation of a tilting device together with AS9, AT130 or AT110 is always recommended, making maintenance an easy task. In case of damage by for example cranes, a quick repair can be accomplished without the need of a crane for dismantling the antenna.

T-AS9 is mounted on deck or pedestal by means of 6 x M16 bolts.



### Mechanical specifications:

<b>Design</b>	Hot dip galvanized hinge and base, stainless steel spindle
<b>Max. tilting angle</b>	105°
<b>Spindle location</b>	Up or down
<b>Max. tilting moment</b>	400 kpm
<b>Weight</b>	56 kg
<b>Ratched crank</b>	Included

### Mounting:

1. Dismount the safety bolts (pos.1)
2. Screw the hinged flap into position to mount the antenna.
3. Mount the antenna to the hinged flap by means of 8 x M16 bolts and nuts, then erect the antenna.
4. Mount the safety bolts (pos.1)

For more detailed mounting instructions, see installation drawing no. 06-6-005.

